



Chipsmall Limited consists of a professional team with an average of over 10 year of expertise in the distribution of electronic components. Based in Hongkong, we have already established firm and mutual-benefit business relationships with customers from,Europe,America and south Asia,supplying obsolete and hard-to-find components to meet their specific needs.

With the principle of “Quality Parts,Customers Priority,Honest Operation,and Considerate Service”,our business mainly focus on the distribution of electronic components. Line cards we deal with include Microchip,ALPS,ROHM,Xilinx,Pulse,ON,Everlight and Freescale. Main products comprise IC,Modules,Potentiometer,IC Socket,Relay,Connector.Our parts cover such applications as commercial,industrial, and automotives areas.

We are looking forward to setting up business relationship with you and hope to provide you with the best service and solution. Let us make a better world for our industry!



Contact us

Tel: +86-755-8981 8866 Fax: +86-755-8427 6832

Email & Skype: info@chipsmall.com Web: www.chipsmall.com

Address: A1208, Overseas Decoration Building, #122 Zhenhua RD., Futian, Shenzhen, China



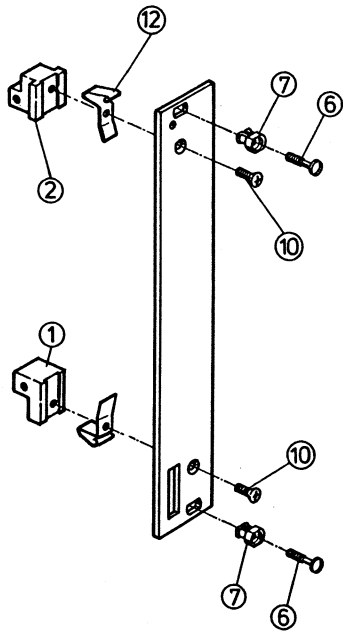
**Montageanweisung
Aushebegriff für
Steckbaugruppen
Trapezform**

**Assembly Instructions
Plug-in Units Type 2
with Extractor Handle C**

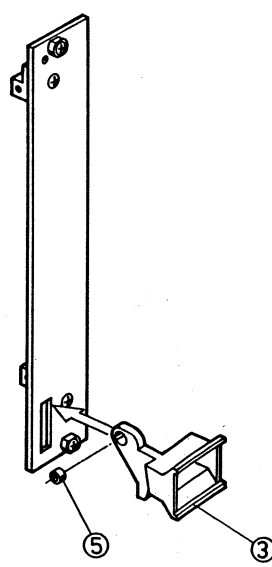
**Instructions de montage
poignée d'extraction
trapézoïdale pour bloc c**



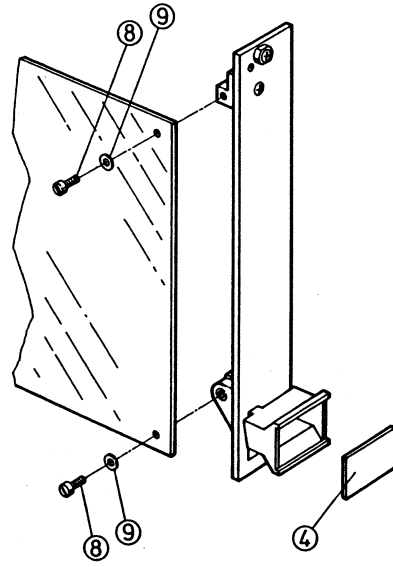
3 HE Standard



3 U standard

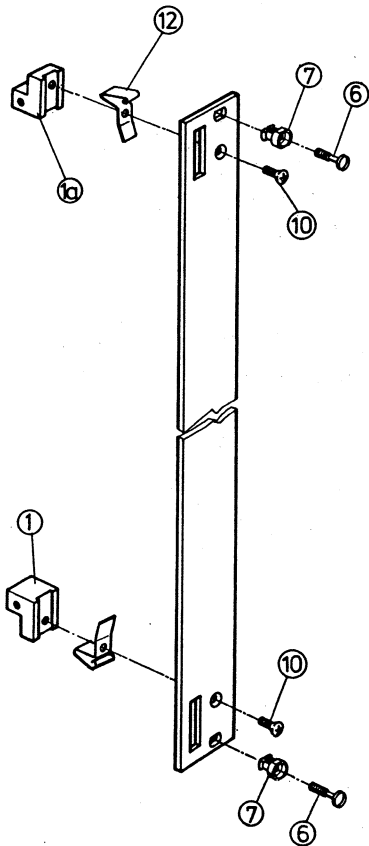


3 U standard

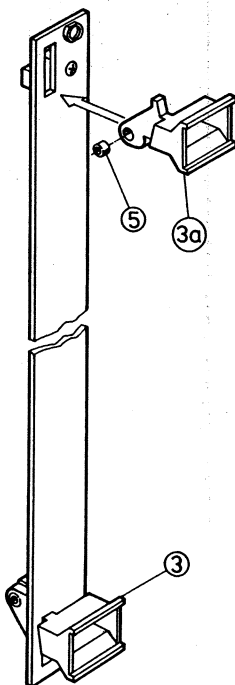


A3/354

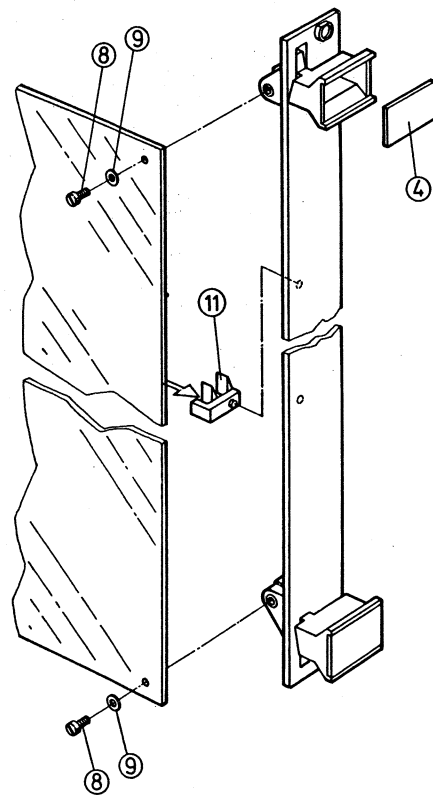
6 HE Standard



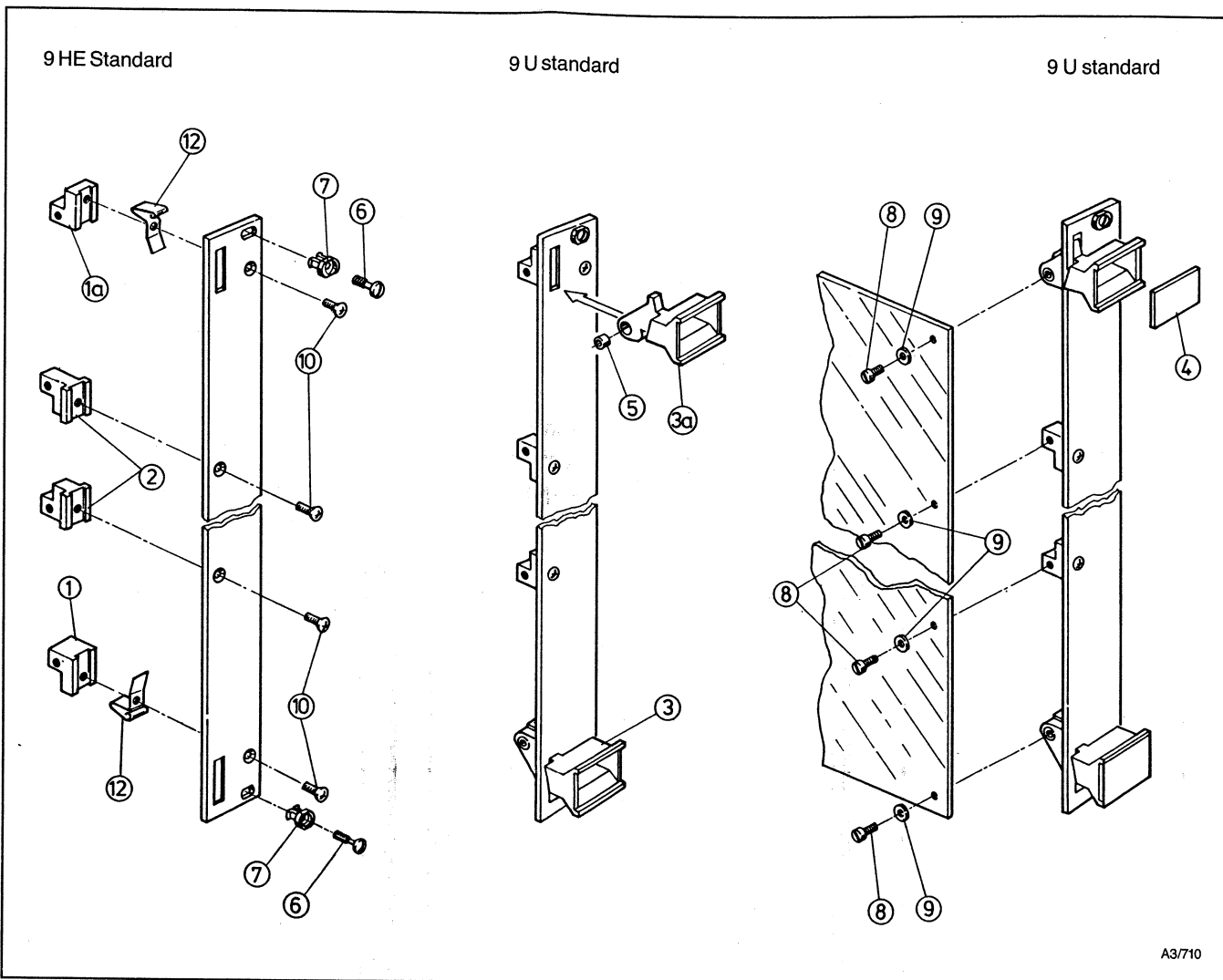
6 U standard



6 U standard



A3/355



A3/710

① Leiterplattenhalter, unten
(bei SMD oben)

①a Leiterplattenhalter, oben
(bei SMD unten)

② Leiterplattenhalter

③ Aushebegriff unten

③a Aushebegriff oben

④ Beschriftungsblende

⑤ Buchse

⑥ Halsschraube M 2,5 × 11

⑦ Nippel

⑧ Zylinderkopfschraube M 2,5 × 8

⑨ Scheibe

⑩ Linsensenkschraube M 2,5 × 8

⑪ Leiterplattenhalter mitte

⑫ Kontaktfeder

① Board holder, bottom
(top for SMD)

①a Board holder, top
(bottom for SMD)

② Board holder, top 3 U

③ Extractor handle, bottom

③a Extractor handle, top

④ Identification plate

⑤ Bush

⑥ Collar screw M 2,5 × 11

⑦ Sleeve

⑧ Cheese head screw M 2,5 × 8

⑨ Washer

⑩ Raised c/sk screw M 2,5 × 8

⑪ Board holder middle

⑫ Contact springs

① équerre de carte inférieure
(avec CMS en haut)

①a équerre de carte supérieure
(avec CMS en bas)

② équerre de carte

③ poignée extractrice inférieure

③a poignée extractrice supérieure

④ plaquette d'identification

⑤ douille

⑥ vis à gorge M 2,5 × 11

⑦ oeillet

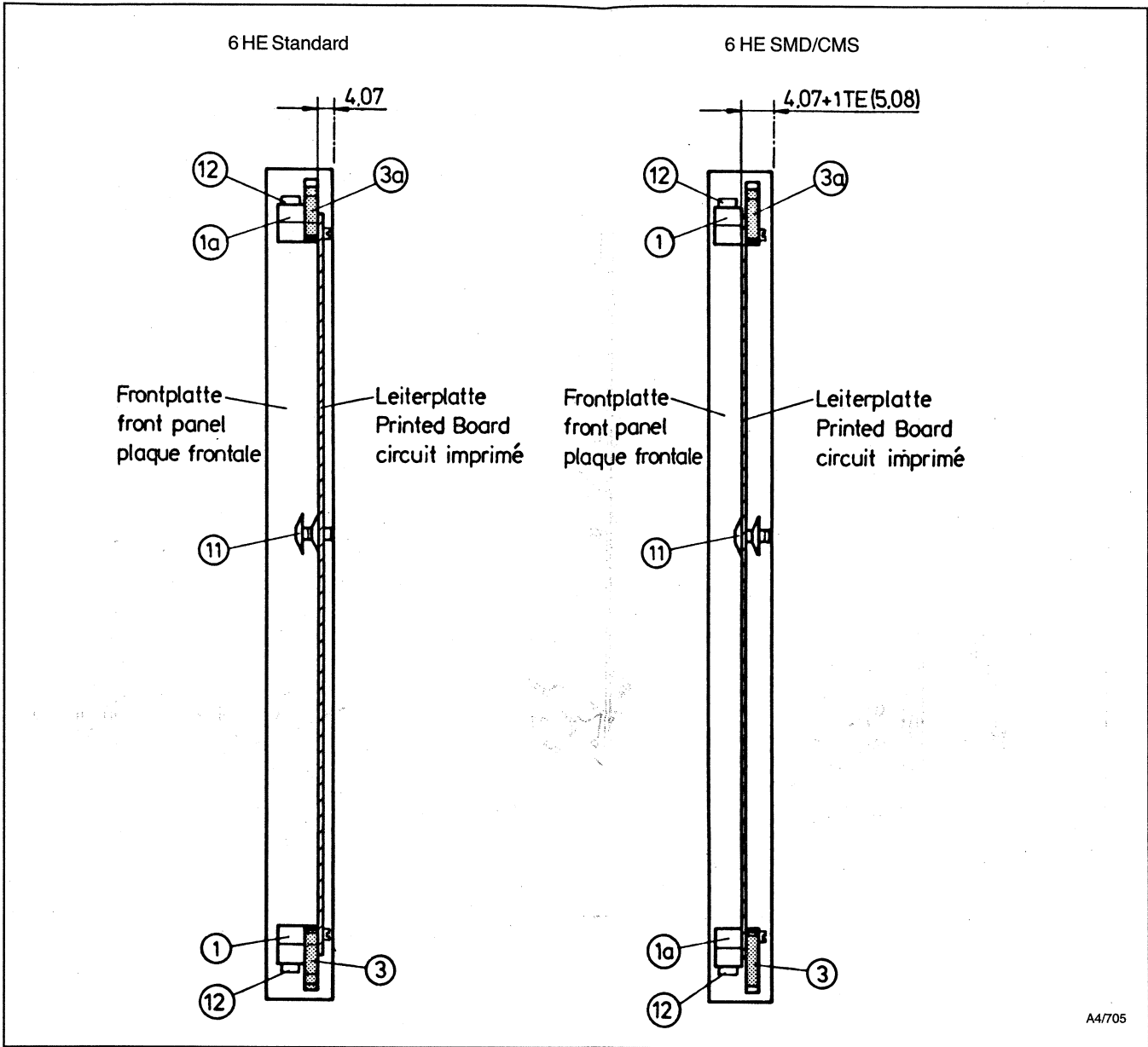
⑧ vis à tête cylindrique M 2,5 × 8

⑨ rondelle

⑩ vis à tête fraisée M 2,5 × 8

⑪ support central de circuit imprimé

⑫ ressort de contact

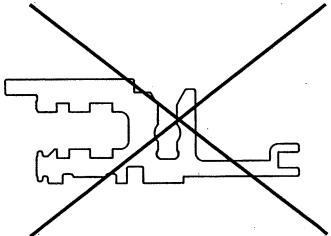
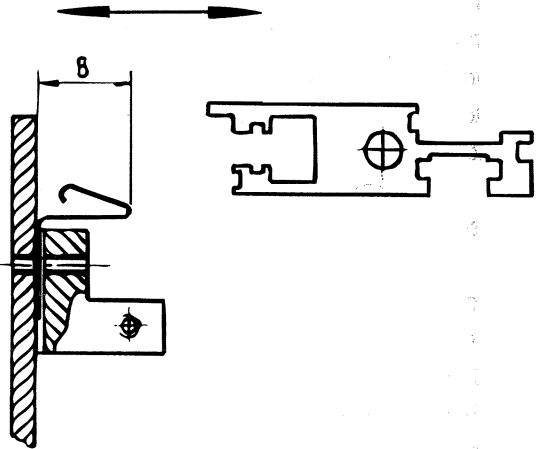


A4/705

9 HE SMD/CMS auf Kundenanfrage möglich

9 U on request

9 U CMS possible sur demande du client



europac PRO

A4/2184 BZA46009