



Chipsmall Limited consists of a professional team with an average of over 10 year of expertise in the distribution of electronic components. Based in Hongkong, we have already established firm and mutual-benefit business relationships with customers from,Europe,America and south Asia,supplying obsolete and hard-to-find components to meet their specific needs.

With the principle of “Quality Parts,Customers Priority,Honest Operation,and Considerate Service”,our business mainly focus on the distribution of electronic components. Line cards we deal with include Microchip,ALPS,ROHM,Xilinx,Pulse,ON,Everlight and Freescale. Main products comprise IC,Modules,Potentiometer,IC Socket,Relay,Connector.Our parts cover such applications as commercial,industrial, and automotives areas.

We are looking forward to setting up business relationship with you and hope to provide you with the best service and solution. Let us make a better world for our industry!



Contact us

Tel: +86-755-8981 8866 Fax: +86-755-8427 6832

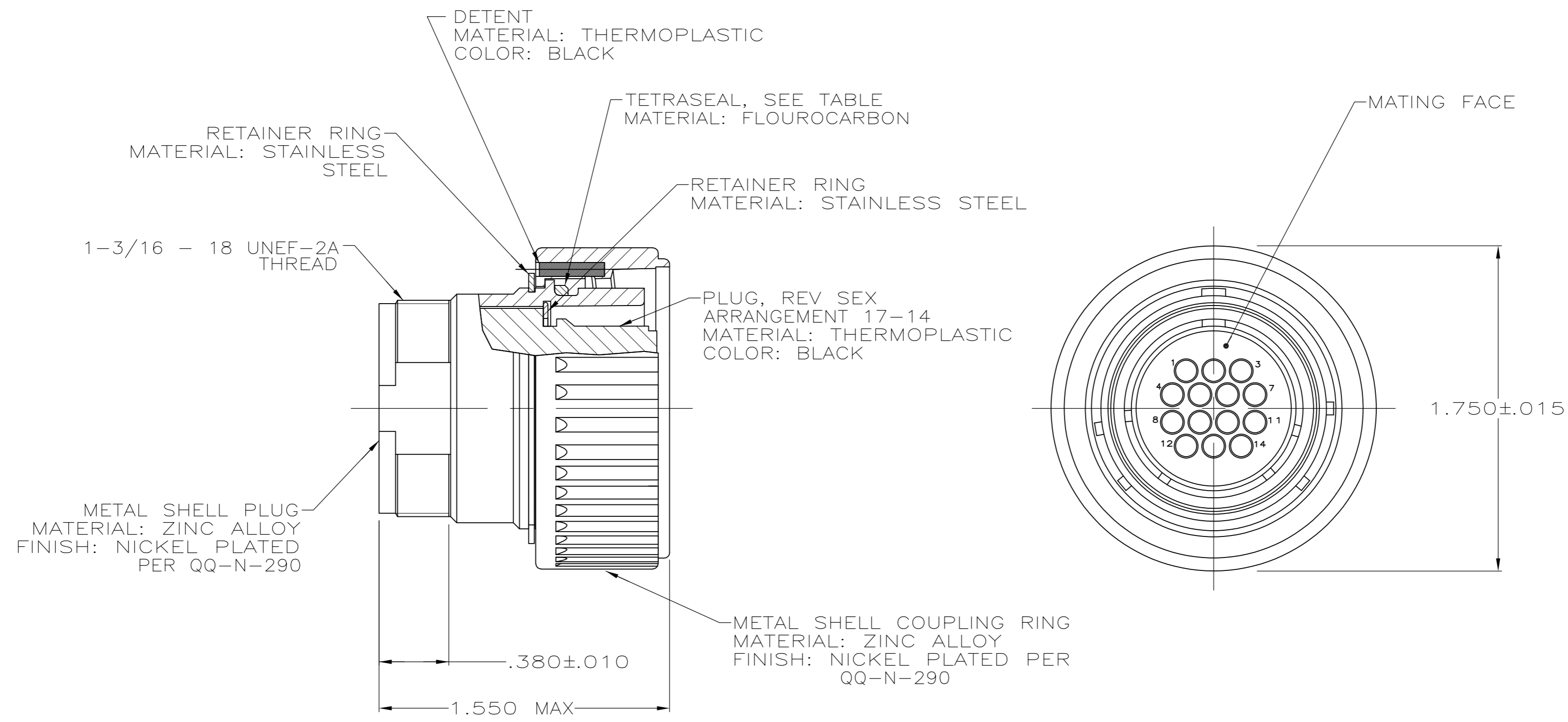
Email & Skype: info@chipsmall.com Web: www.chipsmall.com

Address: A1208, Overseas Decoration Building, #122 Zhenhua RD., Futian, Shenzhen, China

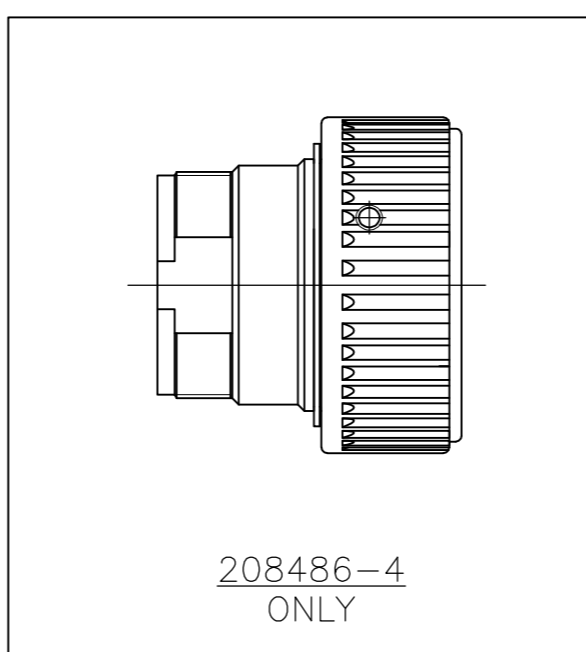


THIS DRAWING IS UNPUBLISHED. RELEASED FOR PUBLICATION
 © COPYRIGHT - By - ALL RIGHTS RESERVED.

LOC		DIST		REVISIONS			
P	LTR	DESCRIPTION		DATE	DWN	APVD	
		P1		REVISED PER ECO-11-004917	11MAR11	RK HMR	



1. THIS PLUG ACCEPTS FOURTEEN (14) MULTIMATE PIN CONTACTS. MAXIMUM WIRE INSULATION DIAMETER = .105.
2. AMP PART NUMBER AND DATE CODE TO BE LOCATED ON COUPLING RING.



YES	YES	208486-4
NO	YES	208486-3
NO	NO	208486-1
SECONDARY LOCKING FEATURE	TETRASEAL	PART NUMBER

THIS DRAWING IS A CONTROLLED DOCUMENT.		DWN	6-27-91	R.LEE BG	
DIMENSIONS: INCHES		CHK	4-20-92	W.G.LENKER	
TOLERANCES UNLESS OTHERWISE SPECIFIED:		APVD	-	NAME	
0 PLC ± -		PRODUCT SPEC		108-10040	
1 PLC ± -		APPLICATION SPEC		-	
2 PLC ± -		WEIGHT		-	
3 PLC ± -		SIZE		A2	
4 PLC ± -		CAGE CODE		00779	
ANGLES ± -		DRAWING NO		C-208486	
FINISH		RESTRICTED TO		-	
SEE CALLOUT		SCALE		2:1	
SEE CALLOUT		SHEET		1 of 1	
CUSTOMER DRAWING		REV		P1	