



Chipsmall Limited consists of a professional team with an average of over 10 year of expertise in the distribution of electronic components. Based in Hongkong, we have already established firm and mutual-benefit business relationships with customers from,Europe,America and south Asia,supplying obsolete and hard-to-find components to meet their specific needs.

With the principle of "Quality Parts,Customers Priority,Honest Operation,and Considerate Service",our business mainly focus on the distribution of electronic components. Line cards we deal with include Microchip,ALPS,ROHM,Xilinx,Pulse,ON,Everlight and Freescale. Main products comprise IC,Modules,Potentiometer,IC Socket,Relay,Connector.Our parts cover such applications as commercial,industrial, and automotives areas.

We are looking forward to setting up business relationship with you and hope to provide you with the best service and solution. Let us make a better world for our industry!



## Contact us

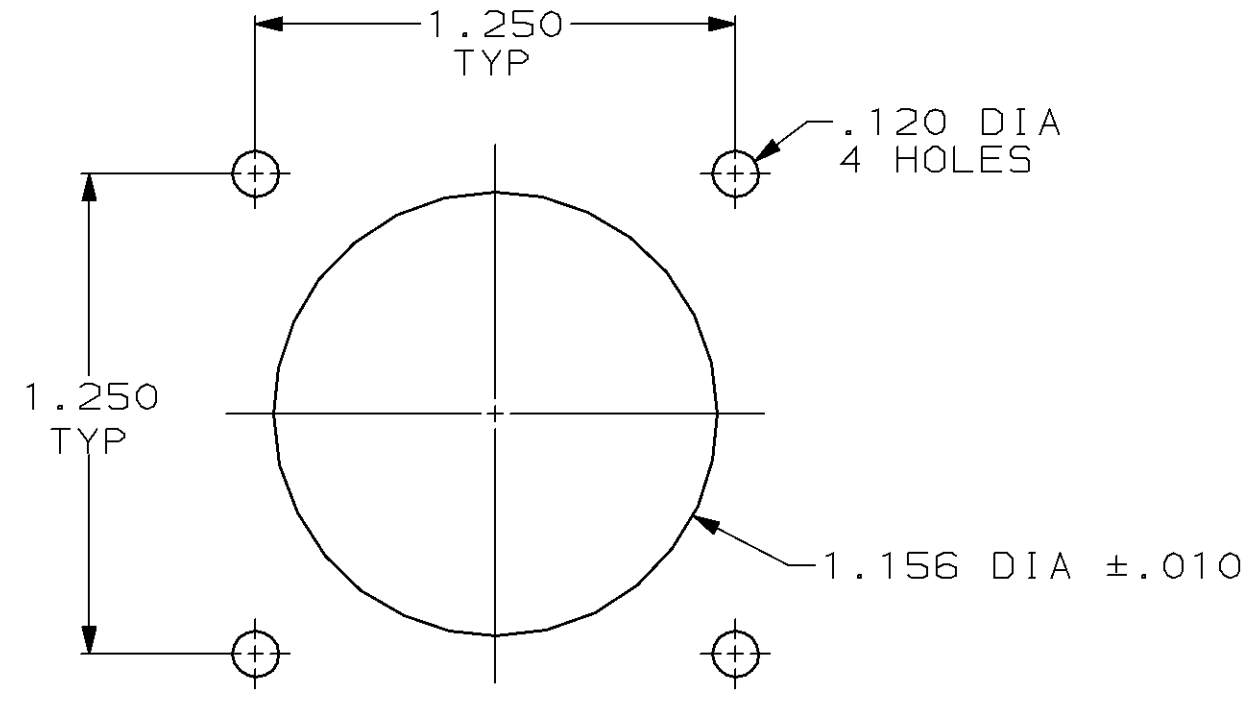
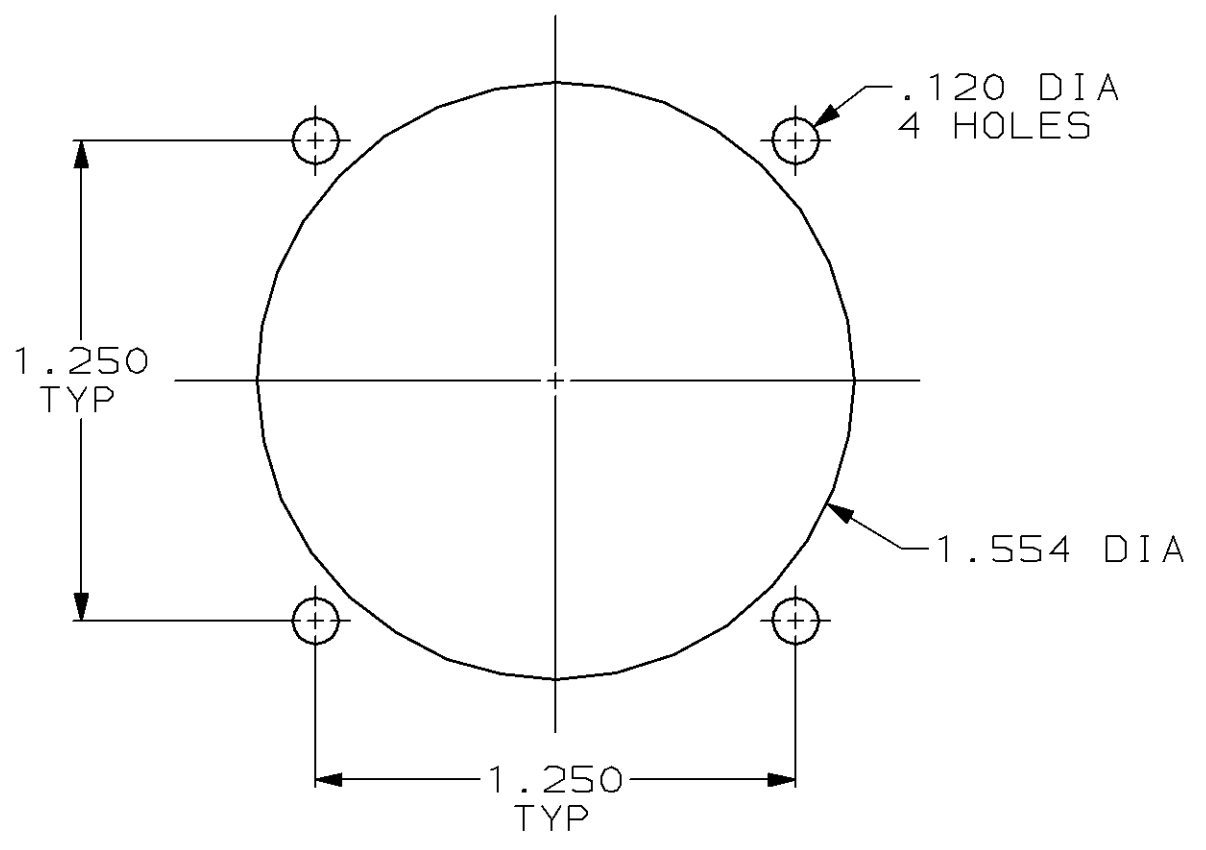
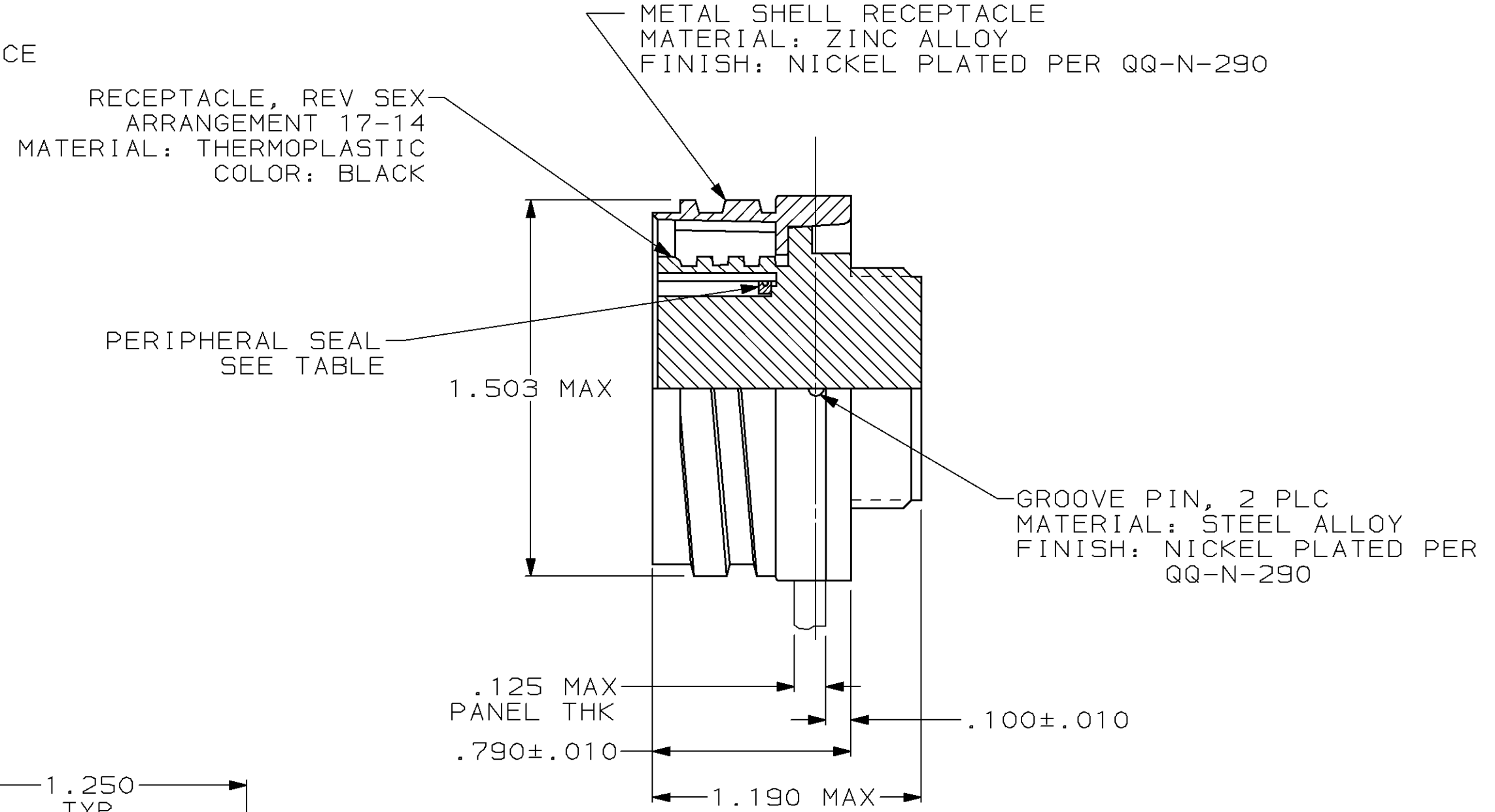
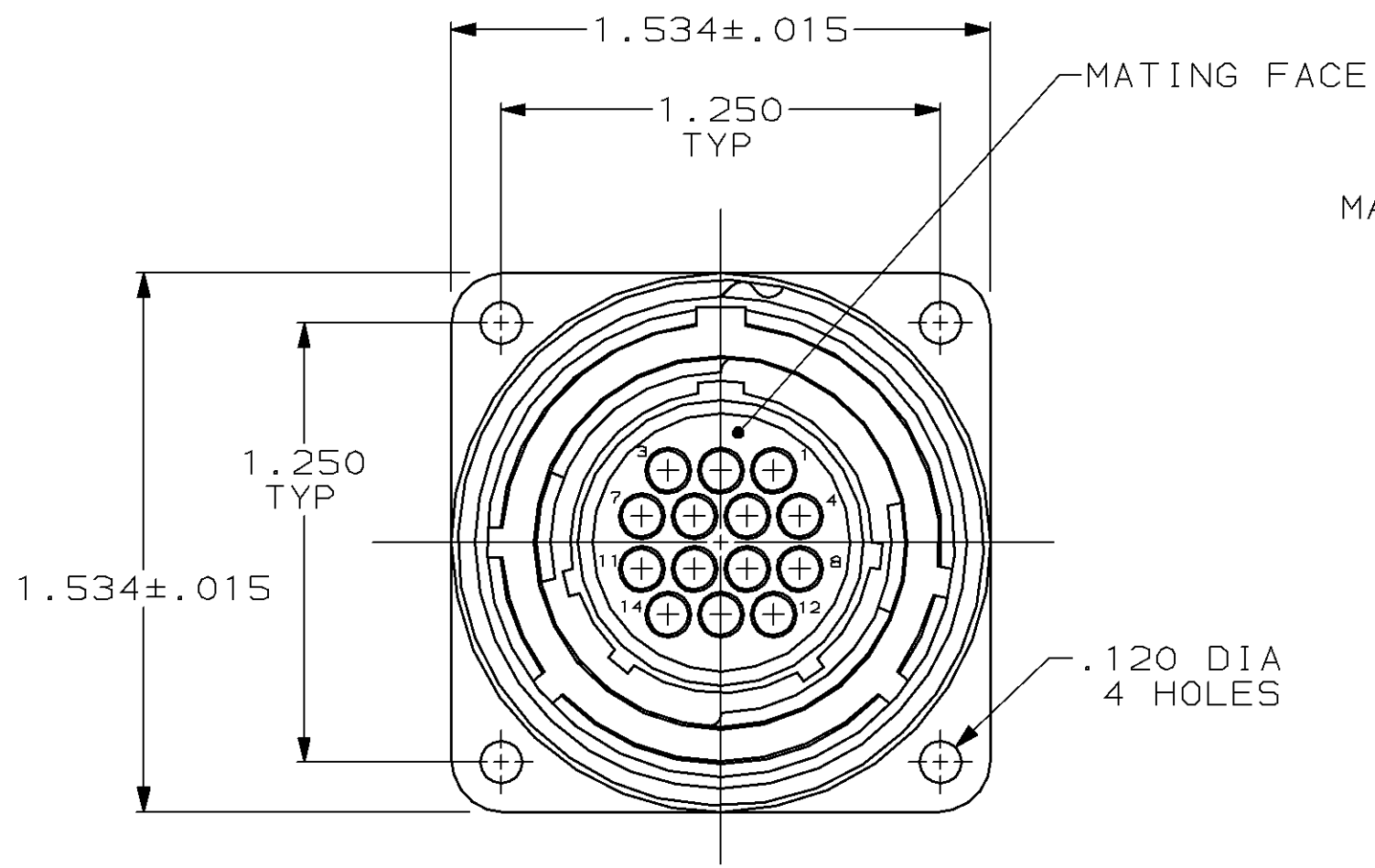
Tel: +86-755-8981 8866 Fax: +86-755-8427 6832

Email & Skype: info@chipsmall.com Web: www.chipsmall.com

Address: A1208, Overseas Decoration Building, #122 Zhenhua RD., Futian, Shenzhen, China



LOC	DIST	P	F	ZONE	LTR	REVISIONS	DATE	APPD
FT	4				G	REDRAWN	6-27-91	-
					H	OBS -2 PER EC 0020-0394-93	11/17/94	RK
					J	REV PER EC 0320-39-96	09 SEP 96	AW



OBSOLETE	YES	208487-2
	NO	208487-1
PERIPHERAL SEAL	PART NUMBER	

- 208487-1 MATES WITH AMP PLUG 208486-1 OR -3. 208487-2 MATES WITH 208486-1 ONLY.
- THIS RECEPTACLE ACCEPTS FOURTEEN (14) MULTIMATE SOCKET CONTACTS. MAXIMUM WIRE INSULATION DIAMETER = .105.
- AMP PART NUMBER AND DATE CODE LOCATED ON EDGE OF FLANGE.

DO NOT SCALE PRINT. UNLESS SPECIFIED DIMENSIONS IN INCHES TOLERANCES ON: 2 PLC DEC ± - 3 PLC DEC ± .005 ANGLES ± -	DR 6-27-91 R.LEE BG CHK 4-15-92 W.G.LENKER APPD 4-15-92 K.BEAVER	AMP Incorporated Harrisburg, PA 17105-3608 NAME RECEPTACLE ASSEMBLY, REV SEX, SERIES 1, 22-14, CMC		
MATERIAL SEE CALLOUT	APPD 4-15-92 C.ROHDE PRODUCT SPEC 108-10040			
FINISH SEE CALLOUT	APPLICATION SPEC -	SIZE C	CAGE CODE 00779	DRAWING NO 208487
	WEIGHT -	SCALE 2:1	SHEET 1 OF 1	