



Chipsmall Limited consists of a professional team with an average of over 10 year of expertise in the distribution of electronic components. Based in Hongkong, we have already established firm and mutual-benefit business relationships with customers from,Europe,America and south Asia,supplying obsolete and hard-to-find components to meet their specific needs.

With the principle of "Quality Parts,Customers Priority,Honest Operation,and Considerate Service",our business mainly focus on the distribution of electronic components. Line cards we deal with include Microchip,ALPS,ROHM,Xilinx,Pulse,ON,Everlight and Freescale. Main products comprise IC,Modules,Potentiometer,IC Socket,Relay,Connector.Our parts cover such applications as commercial,industrial, and automotives areas.

We are looking forward to setting up business relationship with you and hope to provide you with the best service and solution. Let us make a better world for our industry!



## Contact us

Tel: +86-755-8981 8866 Fax: +86-755-8427 6832

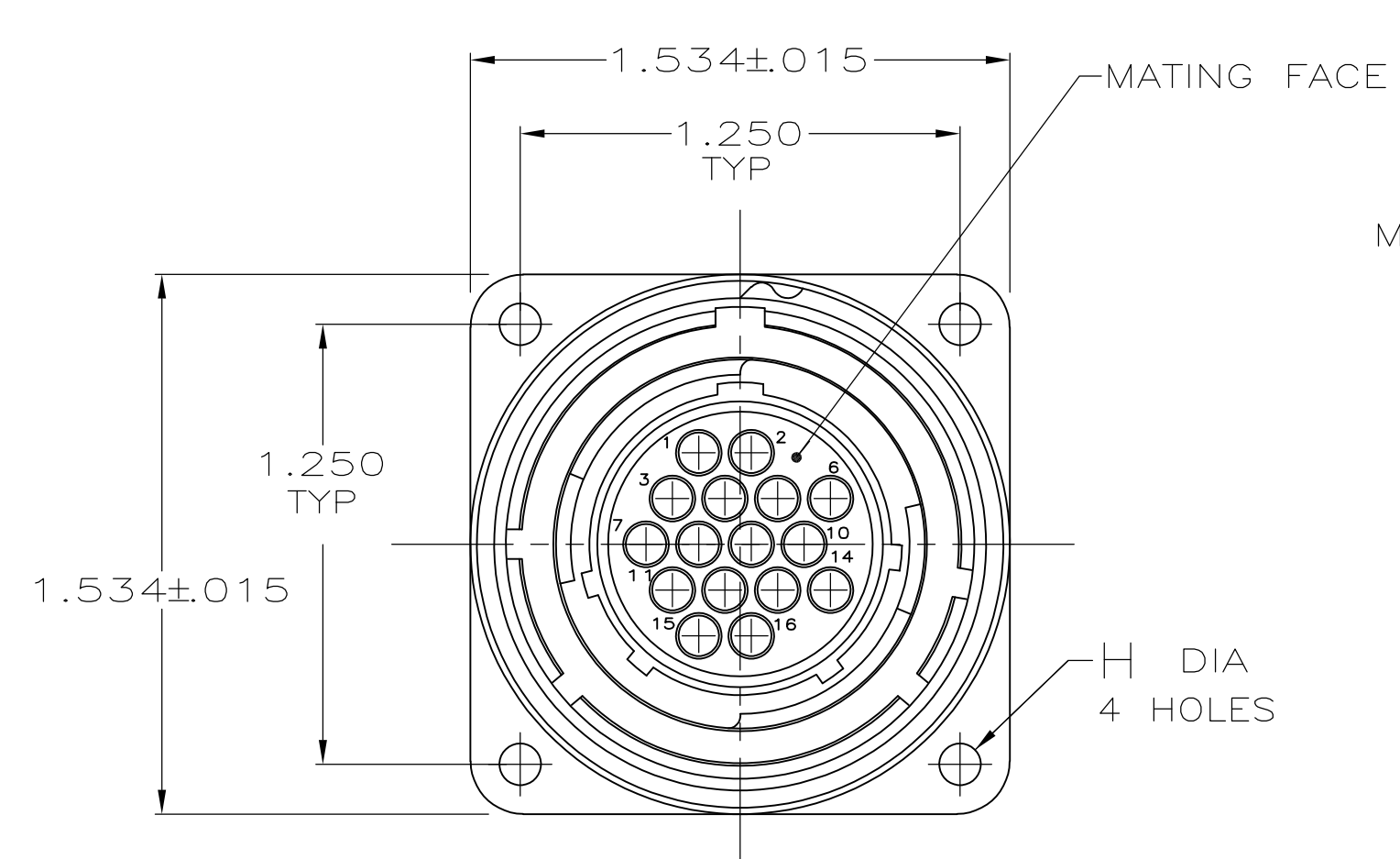
Email & Skype: info@chipsmall.com Web: www.chipsmall.com

Address: A1208, Overseas Decoration Building, #122 Zhenhua RD., Futian, Shenzhen, China



THIS DRAWING IS UNPUBLISHED. RELEASED FOR PUBLICATION  
 © COPYRIGHT - By - ALL RIGHTS RESERVED.

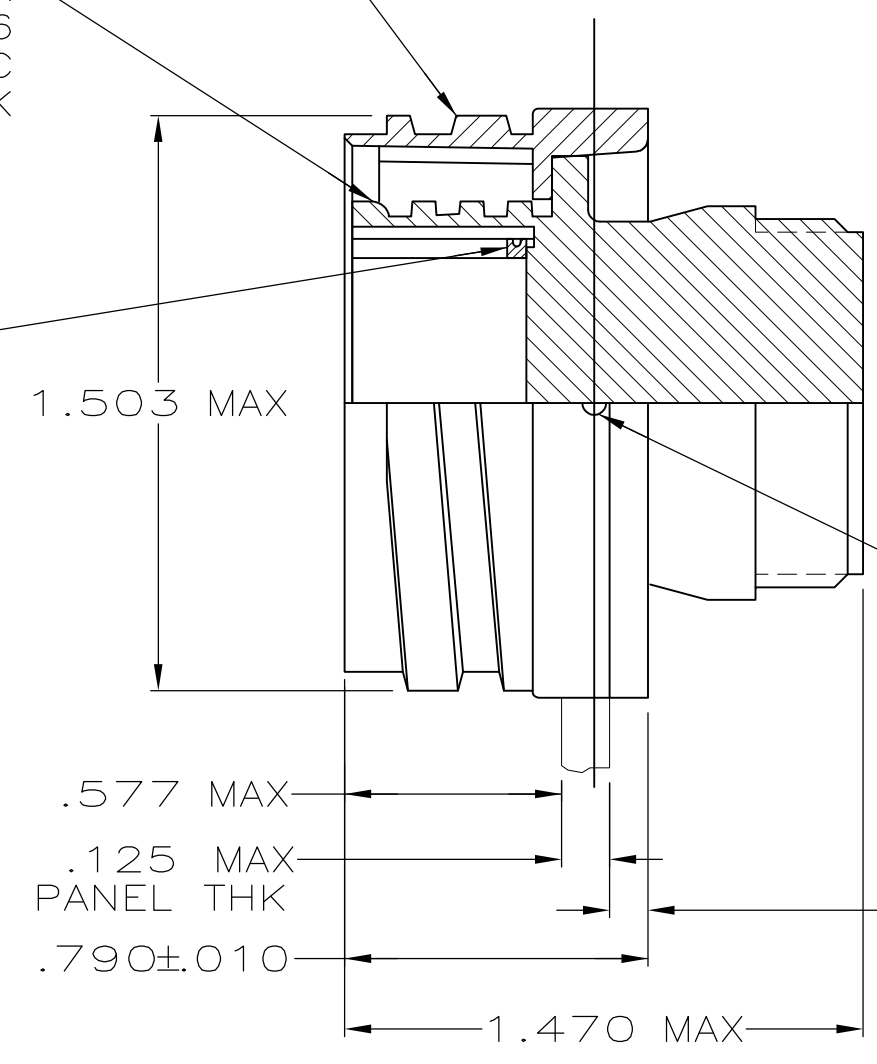
LOC		DIST		REVISIONS			
P	LTR	DESCRIPTION		DATE	DWN	APVD	
FT	0	M1	REVISED PER ECO-11-005027		14MAR11	RK	HMR



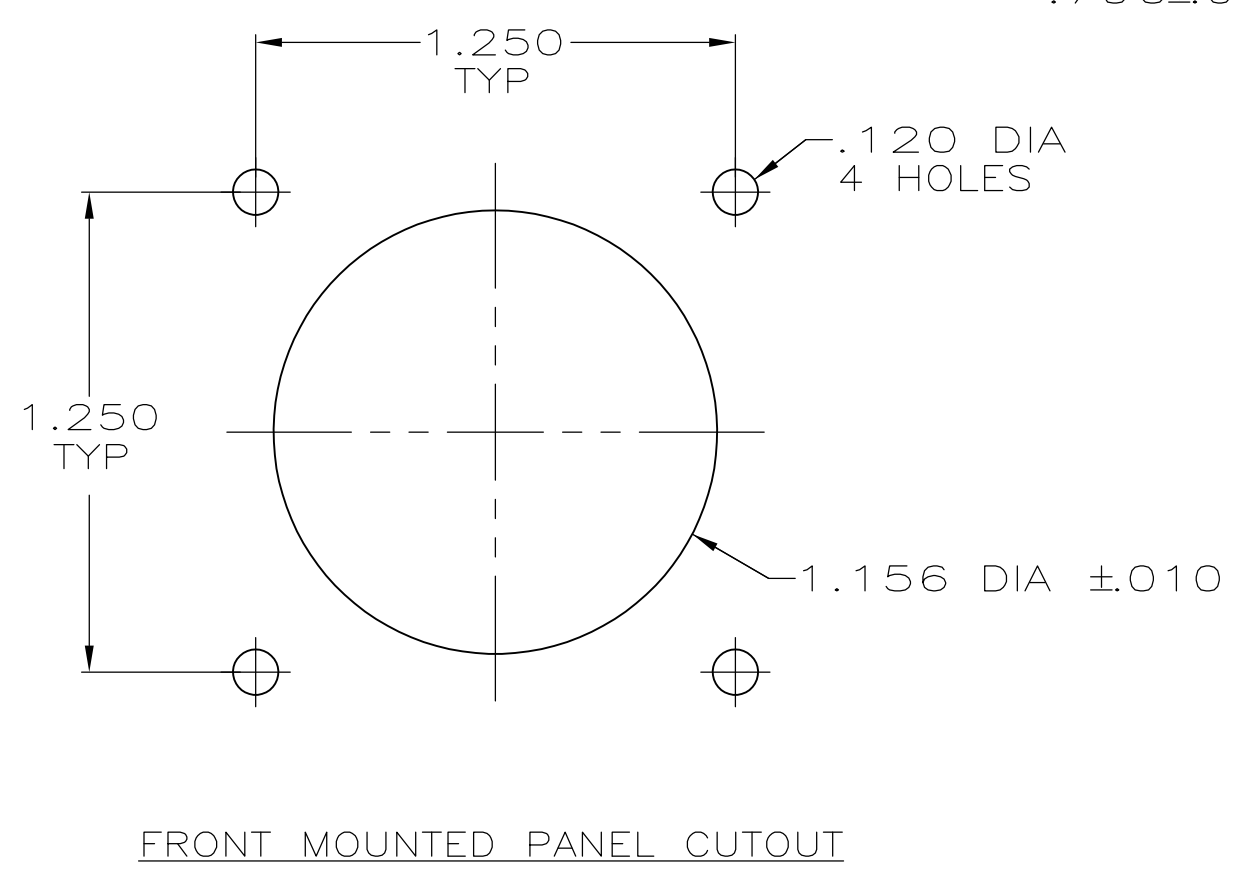
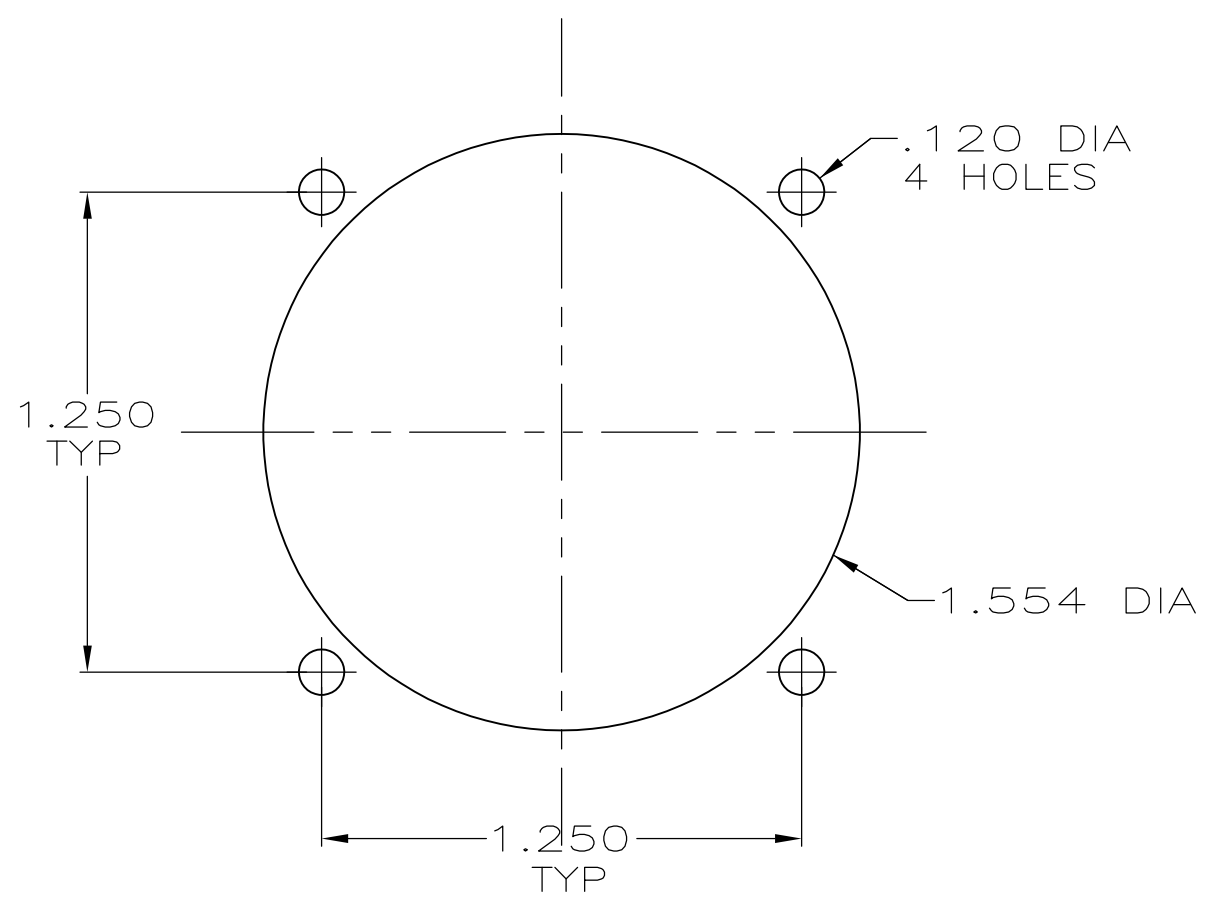
RECEPTACLE, STD SEX  
 ARRANGEMENT 17-16  
 MATERIAL: THERMOPLASTIC  
 COLOR: BLACK

METAL SHELL RECEPTACLE  
 MATERIAL: ZINC ALLOY  
 FINISH: NICKEL PLATED PER QQ-N-290

PERIPHERAL SEAL  
 SEE TABLE



GROOVE PIN, 2 PLC  
 MATERIAL: STEEL ALLOY  
 FINISH: NICKEL PLATED  
 PER QQ-N-290



FRONT MOUNTED PANEL CUTOUT

REAR MOUNTED PANEL CUTOUT

- NOTES:
- 208489-1 MATES WITH AMP PLUG 208488-1 OR -3.  
208489-2 MATES WITH 208488-1 ONLY.
  - THIS RECEPTACLE ACCEPTS SIXTEEN (16) MULTIMATE PIN CONTACTS. MAXIMUM WIRE INSULATION DIAMETER = .105.
  - AMP PART NUMBER AND DATE CODE LOCATED ON EDGE OF FLANGE.

PRELIMINARY	M3 X 0.5	NO	208489-4
OBSELETE	.120	YES	208489-2
	.120	NO	208489-1
H	PERIPHERAL SEAL	PART NUMBER	

THIS DRAWING IS A CONTROLLED DOCUMENT.		DWN R.LEE BG 6-28-91	<b>TE</b> TE Connectivity	
DIMENSIONS: INCHES		CHK W.G.LENKER 4-15-92		
TOLERANCES UNLESS OTHERWISE SPECIFIED:		APVD K.BEAVER 4-15-92	NAME RECEPTACLE ASSEMBLY, STD SEX, SERIES 1, 22-16, CMC	
0 PLC ± -		PRODUCT SPEC 108-10040	SIZE CAGE CODE DRAWING NO RESTRICTED TO	
1 PLC ± -		APPLICATION SPEC -	A2 00779 C=208489	
2 PLC ± -		WEIGHT -	SCALE 2:1 SHEET 1 OF 1 REV M1	
3 PLC ± .005		CUSTOMER DRAWING		
4 PLC ± -				
ANGLES ± -				
FINISH SEE CALLOUT				