



Chipsmall Limited consists of a professional team with an average of over 10 year of expertise in the distribution of electronic components. Based in Hongkong, we have already established firm and mutual-benefit business relationships with customers from,Europe,America and south Asia,supplying obsolete and hard-to-find components to meet their specific needs.

With the principle of “Quality Parts,Customers Priority,Honest Operation,and Considerate Service”,our business mainly focus on the distribution of electronic components. Line cards we deal with include Microchip,ALPS,ROHM,Xilinx,Pulse,ON,Everlight and Freescale. Main products comprise IC,Modules,Potentiometer,IC Socket,Relay,Connector.Our parts cover such applications as commercial,industrial, and automotives areas.

We are looking forward to setting up business relationship with you and hope to provide you with the best service and solution. Let us make a better world for our industry!



## Contact us

Tel: +86-755-8981 8866 Fax: +86-755-8427 6832

Email & Skype: info@chipsmall.com Web: www.chipsmall.com

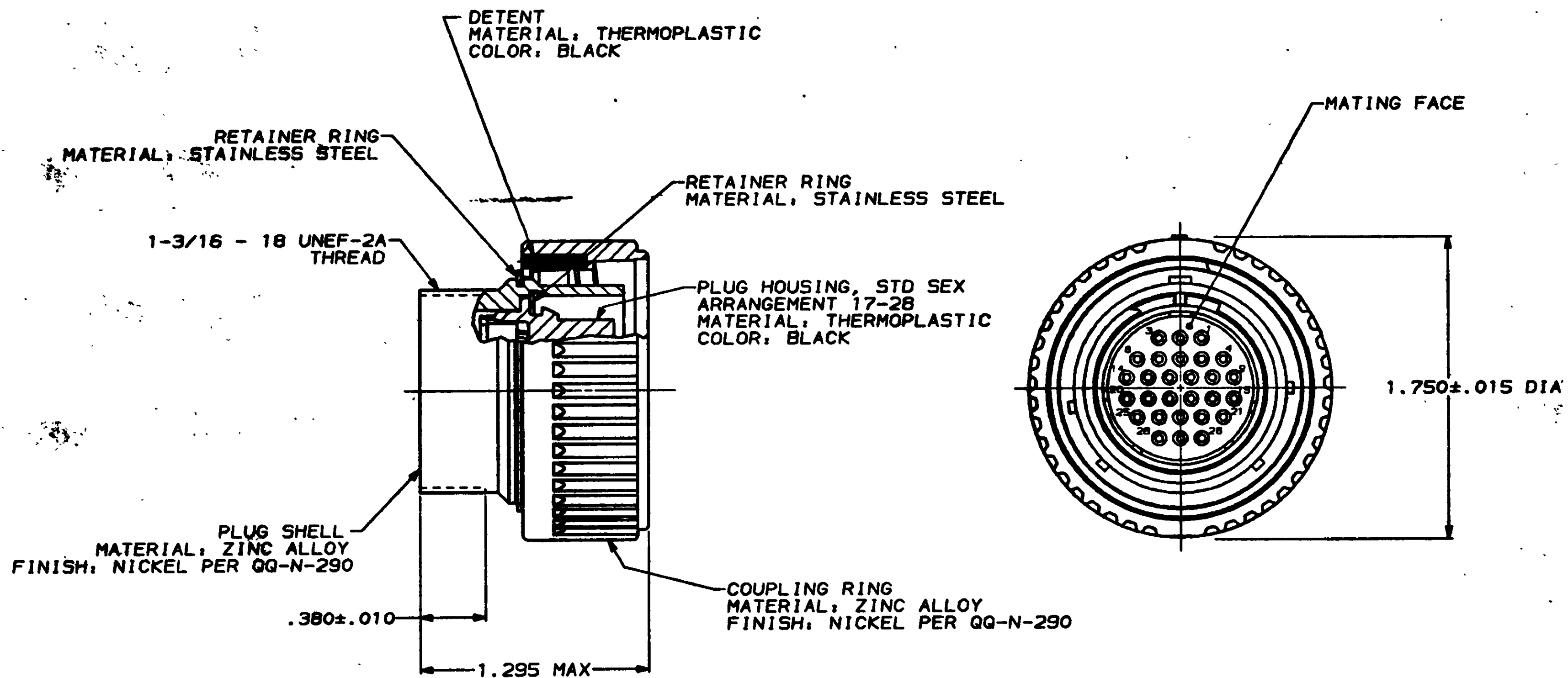
Address: A1208, Overseas Decoration Building, #122 Zhenhua RD., Futian, Shenzhen, China



DRAWING MADE IN THIRD ANGLE PROJECTION

THIS DRAWING IS UNPUBLISHED. RELEASED FOR PUBLICATION .19  
 © COPYRIGHT 19 BY AMP INCORPORATED. ALL INTERNATIONAL RIGHTS RESERVED.

REV	DATE	BY	CHK	APPD	ZONE	LTR	DESCRIPTION	DATE	APPD
23	BD	35				H	REV & REDRAWN PER ECN B05454	7-2-92	



1. PLUG MATES WITH AMP RECEPTACLE 208491-1.
2. THIS PLUG ACCEPTS TWENTY EIGHT (28) TYPE 20 DM OR TYPE 20 DF SOCKET CONTACTS. MAXIMUM WIRE INSULATION DIAMETER = .068.
3. AMP PART NUMBER AND DATE CODE TO BE LOCATED ON COUPLING RING.

		208490-1	
		PART NO	
DO NOT SCALE PRINT. UNLESS SPECIFIED DIMENSIONS IN INCHES TOLERANCES ON:		AMP Incorporated Harrisburg, PA 17105-3608	
2 PLC DEC * -			
3 PLC DEC * -			
ANGLES * -		NAME	
SEE CALLOUT		PLUG ASSEMBLY, STD SEX, SERIES 2, 22-28, CMC	
FINISH		SIZE	CAGE CODE
SEE CALLOUT		©	00779
		DRAWING NO	208490
		SCALE	2:1
		SHEET	1 OF 1

CUSTOMER DRAWING