



Chipsmall Limited consists of a professional team with an average of over 10 year of expertise in the distribution of electronic components. Based in Hongkong, we have already established firm and mutual-benefit business relationships with customers from,Europe,America and south Asia,supplying obsolete and hard-to-find components to meet their specific needs.

With the principle of "Quality Parts,Customers Priority,Honest Operation,and Considerate Service",our business mainly focus on the distribution of electronic components. Line cards we deal with include Microchip,ALPS,ROHM,Xilinx,Pulse,ON,Everlight and Freescale. Main products comprise IC,Modules,Potentiometer,IC Socket,Relay,Connector.Our parts cover such applications as commercial,industrial, and automotives areas.

We are looking forward to setting up business relationship with you and hope to provide you with the best service and solution. Let us make a better world for our industry!



Contact us

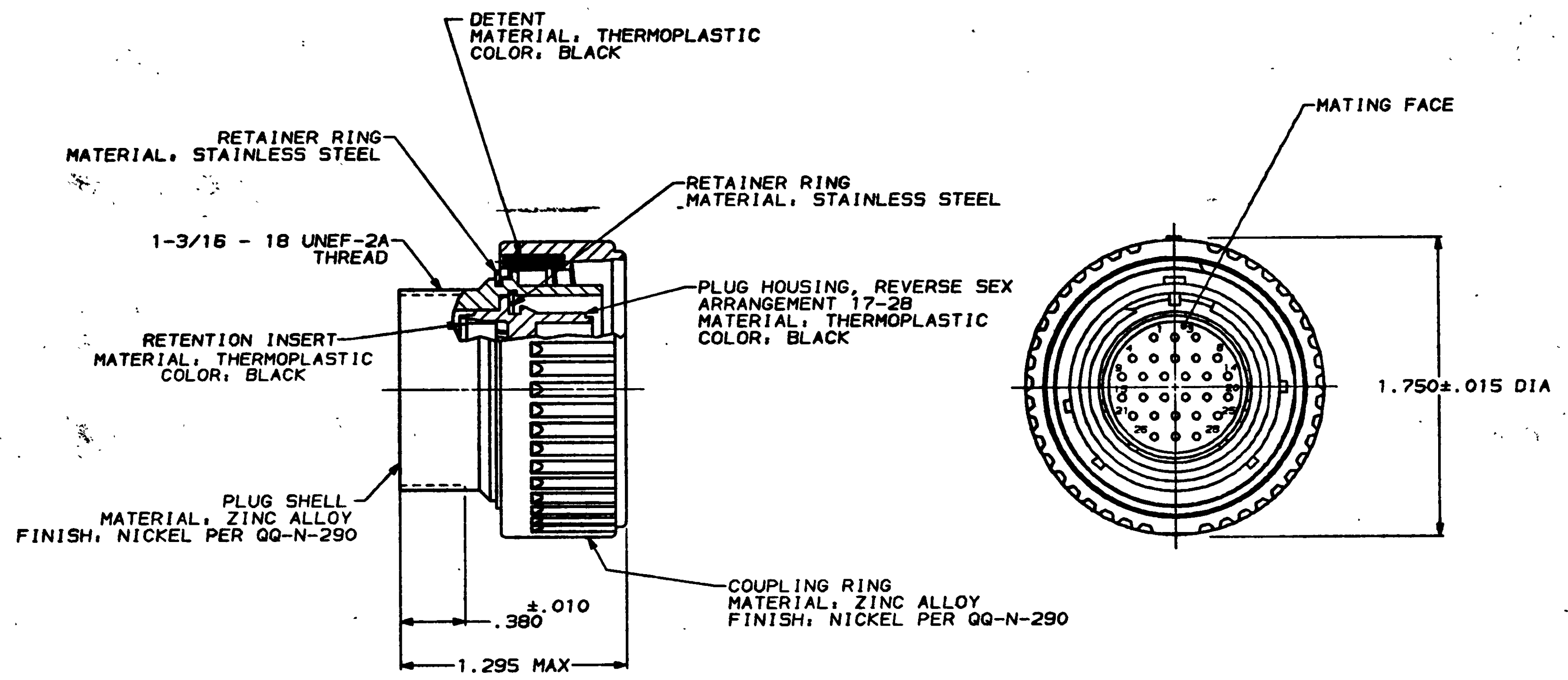
Tel: +86-755-8981 8866 Fax: +86-755-8427 6832

Email & Skype: info@chipsmall.com Web: www.chipsmall.com

Address: A1208, Overseas Decoration Building, #122 Zhenhua RD., Futian, Shenzhen, China



REV	LOG	DATE	ZONE	LTR	DESCRIPTION	DATE	APP
23	BD	35			REV & REDRAWN PER ECN BDS454	7-3-92	



- 208492-1 MATES WITH AMP RECEPTACLE 208493-1.
- THIS PLUG ACCEPTS TWENTY EIGHT (28) TYPE 20 DM OR TYPE 20 DF SOCKET CONTACTS. MAXIMUM WIRE INSULATION DIAMETER = .068.
- AMP PART NUMBER AND DATE CODE TO BE LOCATED ON COUPLING RING.

		208492-1	
		PART NO	
DO NOT SCALE PRINT. UNLESS SPECIFIED DIMENSIONS IN INCHES TOLERANCES ON 2 PLC DEC * - 3 PLC DEC * - ANGLES * -	DR 7-2-92 H MOLL. CHK 12-29-92 R. STONE APPD 12-29-92 K. BEAVER APPD 12-29-92 C. RONDE	AMP Incorporated Harrisburg, PA 17105-3608	
MATERIAL SEE CALLOUT	PRODUCT SPEC 108-10040	NAME PLUG ASSEMBLY, REVERSE SEX, SERIES 2, 22-28, CMC	
FINISH SEE CALLOUT	APPLICATION SPEC -	SIZE C	CASE CODE 00779
	WEIGHT -	SCALE 2:1	DRAWING NO 208492
			SHEET 1 OF 1

CUSTOMER DRAWING