



Chipsmall Limited consists of a professional team with an average of over 10 year of expertise in the distribution of electronic components. Based in Hongkong, we have already established firm and mutual-benefit business relationships with customers from,Europe,America and south Asia,supplying obsolete and hard-to-find components to meet their specific needs.

With the principle of “Quality Parts,Customers Priority,Honest Operation,and Considerate Service”,our business mainly focus on the distribution of electronic components. Line cards we deal with include Microchip,ALPS,ROHM,Xilinx,Pulse,ON,Everlight and Freescale. Main products comprise IC,Modules,Potentiometer,IC Socket,Relay,Connector.Our parts cover such applications as commercial,industrial, and automotives areas.

We are looking forward to setting up business relationship with you and hope to provide you with the best service and solution. Let us make a better world for our industry!



## Contact us

Tel: +86-755-8981 8866 Fax: +86-755-8427 6832

Email & Skype: info@chipsmall.com Web: www.chipsmall.com

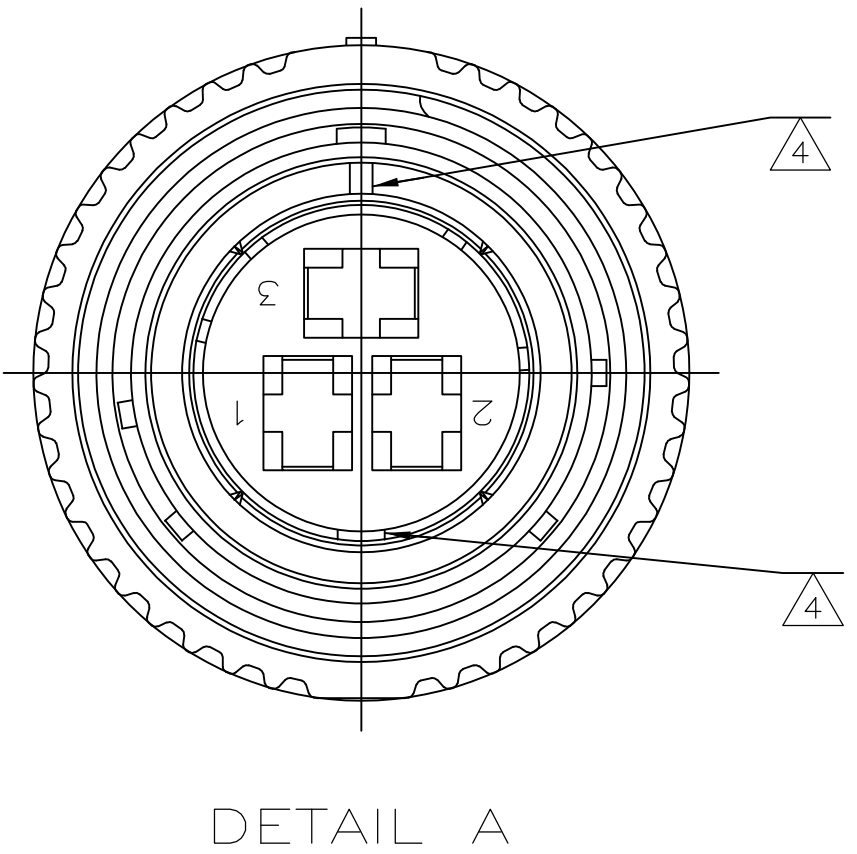
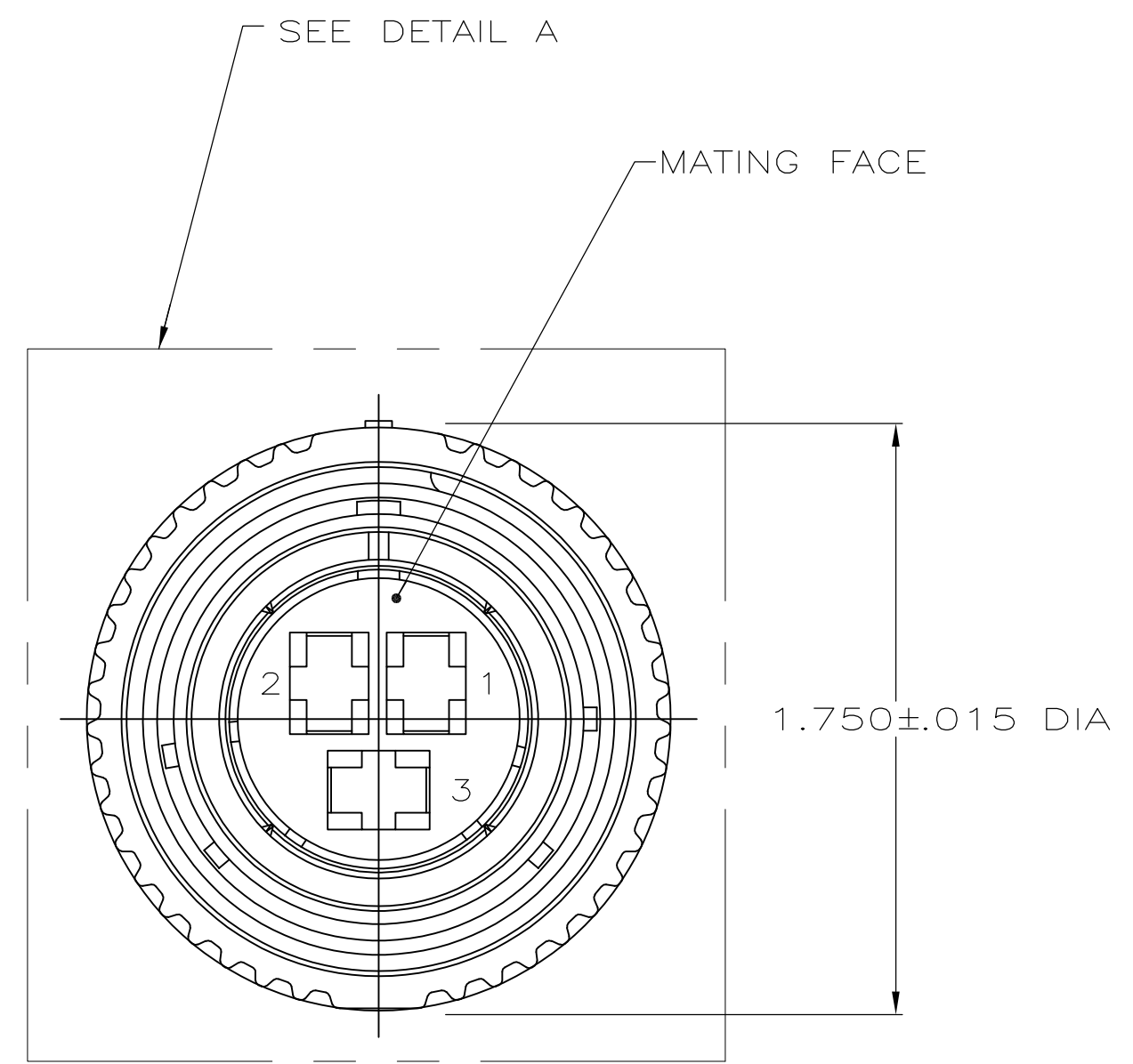
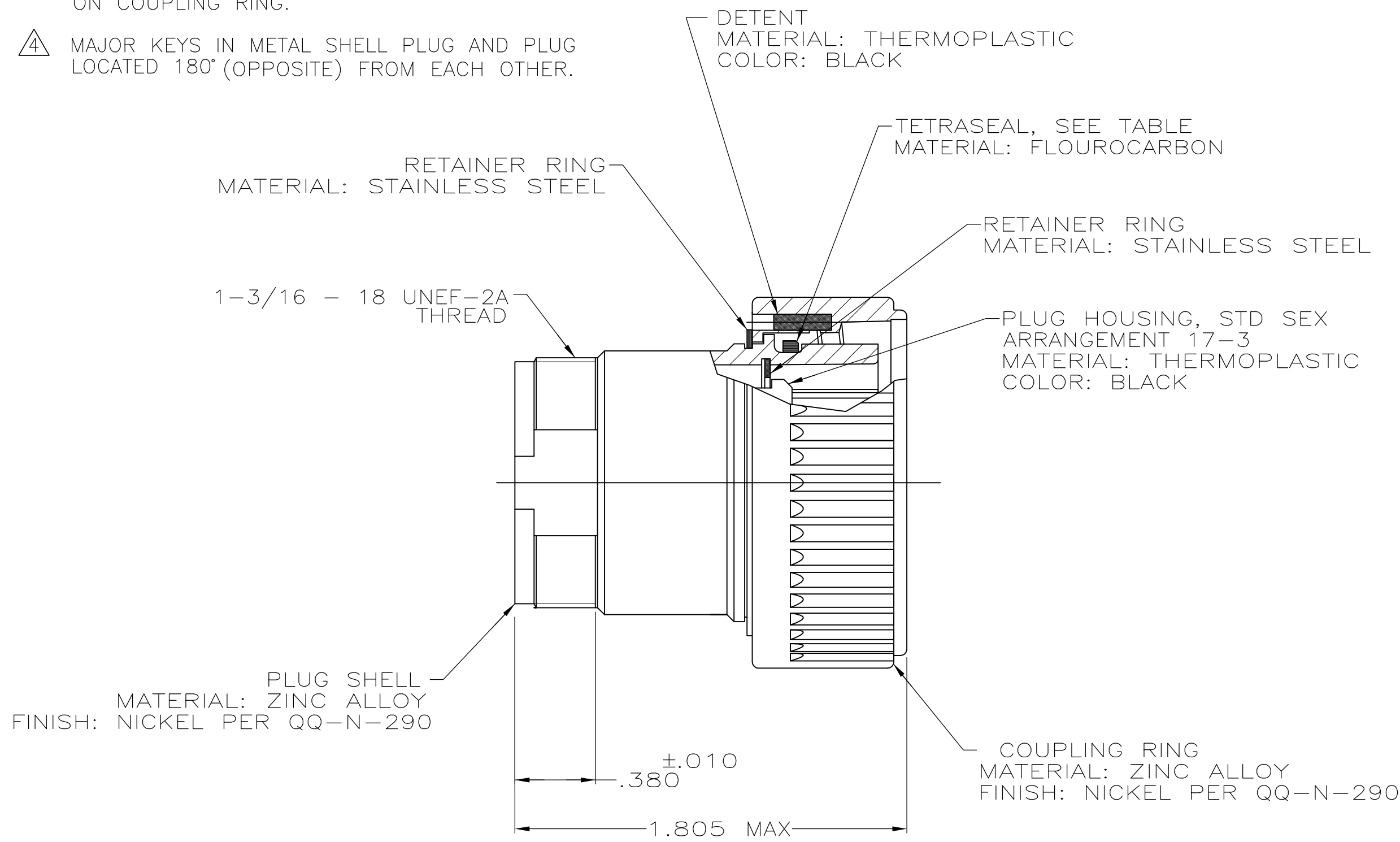
Address: A1208, Overseas Decoration Building, #122 Zhenhua RD., Futian, Shenzhen, China



THIS DRAWING IS UNPUBLISHED. RELEASED FOR PUBLICATION  
 © COPYRIGHT - By - ALL RIGHTS RESERVED.

LOC	DIST	REVISIONS			
P	LTR	DESCRIPTION	DATE	DWN	APVD
BD	35	M1	REVISED PER ECO-11-004917	11MAR11	RK HMR

1. PLUG MATES WITH RECEPTACLE 208495.
2. THIS PLUG ACCEPTS THREE (3) TYPE XII FEMALE CONTACTS. MAXIMUM WIRE INSULATION DIAMETER = .220.
3. AMP PART NUMBER AND DATE CODE TO BE LOCATED ON COUPLING RING.
4. MAJOR KEYS IN METAL SHELL PLUG AND PLUG LOCATED 180° (OPPOSITE) FROM EACH OTHER.



OBSOLETE	DETAIL A	NO	208494-4
	AS SHOWN	YES	208494-3
	AS SHOWN	NO	208494-1
	KEYING	TETRASEAL	PART NUMBER

THIS DRAWING IS A CONTROLLED DOCUMENT.		DWN H MOLL 7-2-92	<b>TE</b> TE Connectivity	
DIMENSIONS: INCHES		CHK R.STONE 12-29-92		
TOLERANCES UNLESS OTHERWISE SPECIFIED:		APVD K.BEAVER 12-29-92	NAME	
0 PLC ± -		PRODUCT SPEC	PLUG ASSEMBLY, STANDARD SEX, SERIES 3, 22-3, CMC	
1 PLC ± -		APPLICATION SPEC	SIZE CAGE CODE DRAWING NO RESTRICTED TO	
2 PLC ± -		108-10040	A2 00779 C-208494	
3 PLC ± -			SCALE 2:1 SHEET 1 of 1 REV M1	
4 PLC ± -				
ANGLES ± -				
FINISH		WEIGHT -		
SEE CALLOUT		SEE CALLOUT	CUSTOMER DRAWING	