



Chipsmall Limited consists of a professional team with an average of over 10 year of expertise in the distribution of electronic components. Based in Hongkong, we have already established firm and mutual-benefit business relationships with customers from,Europe,America and south Asia,supplying obsolete and hard-to-find components to meet their specific needs.

With the principle of "Quality Parts,Customers Priority,Honest Operation,and Considerate Service",our business mainly focus on the distribution of electronic components. Line cards we deal with include Microchip,ALPS,ROHM,Xilinx,Pulse,ON,Everlight and Freescale. Main products comprise IC,Modules,Potentiometer,IC Socket,Relay,Connector.Our parts cover such applications as commercial,industrial, and automotives areas.

We are looking forward to setting up business relationship with you and hope to provide you with the best service and solution. Let us make a better world for our industry!



## Contact us

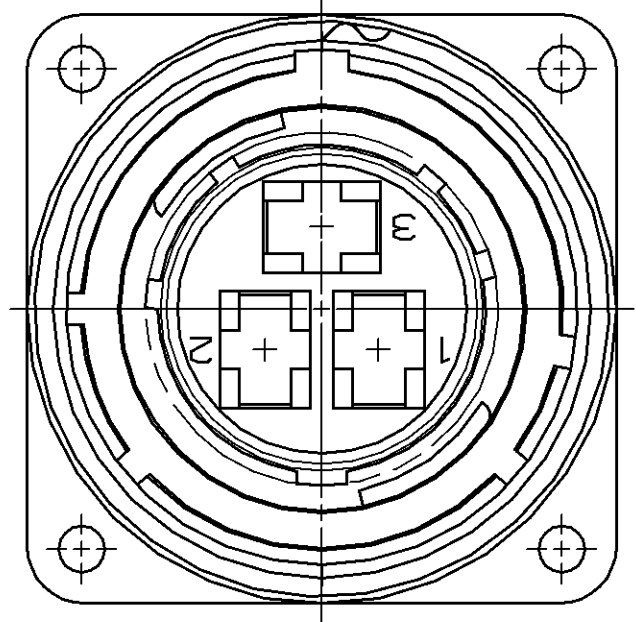
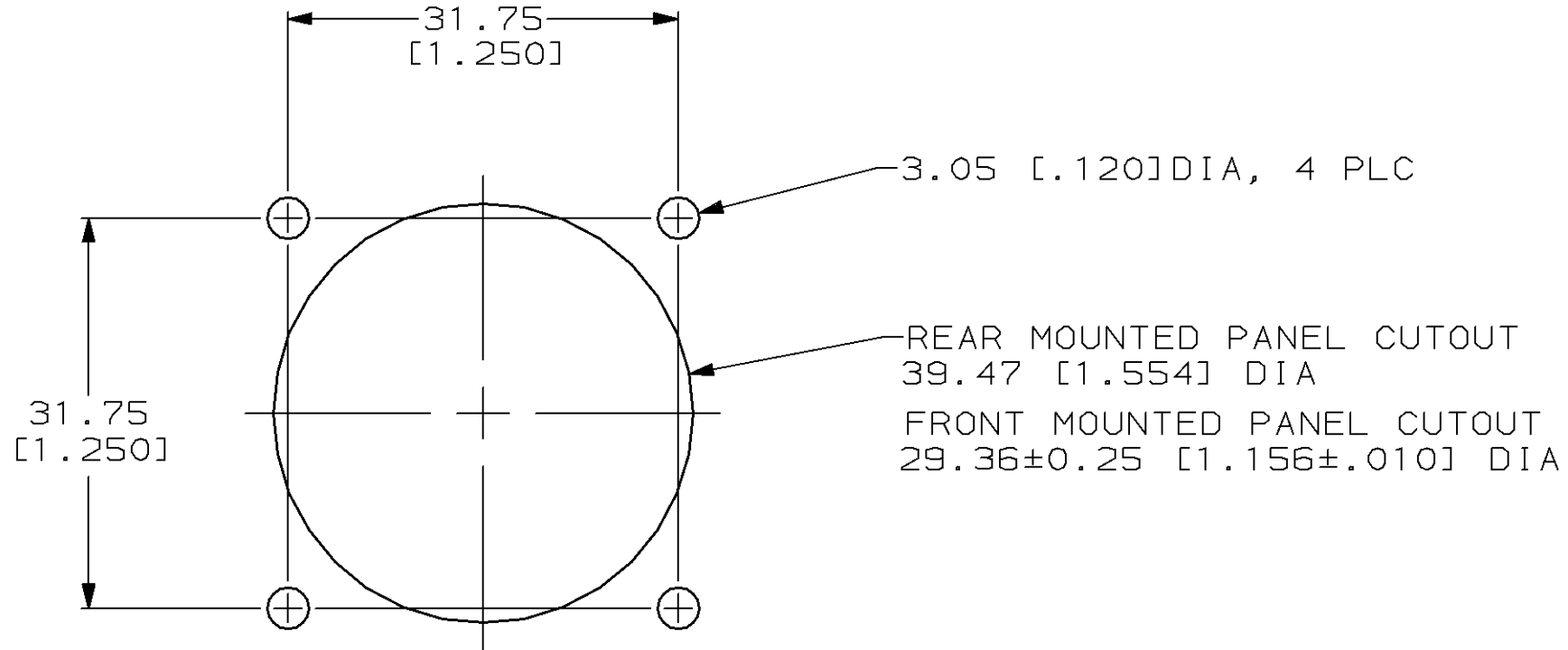
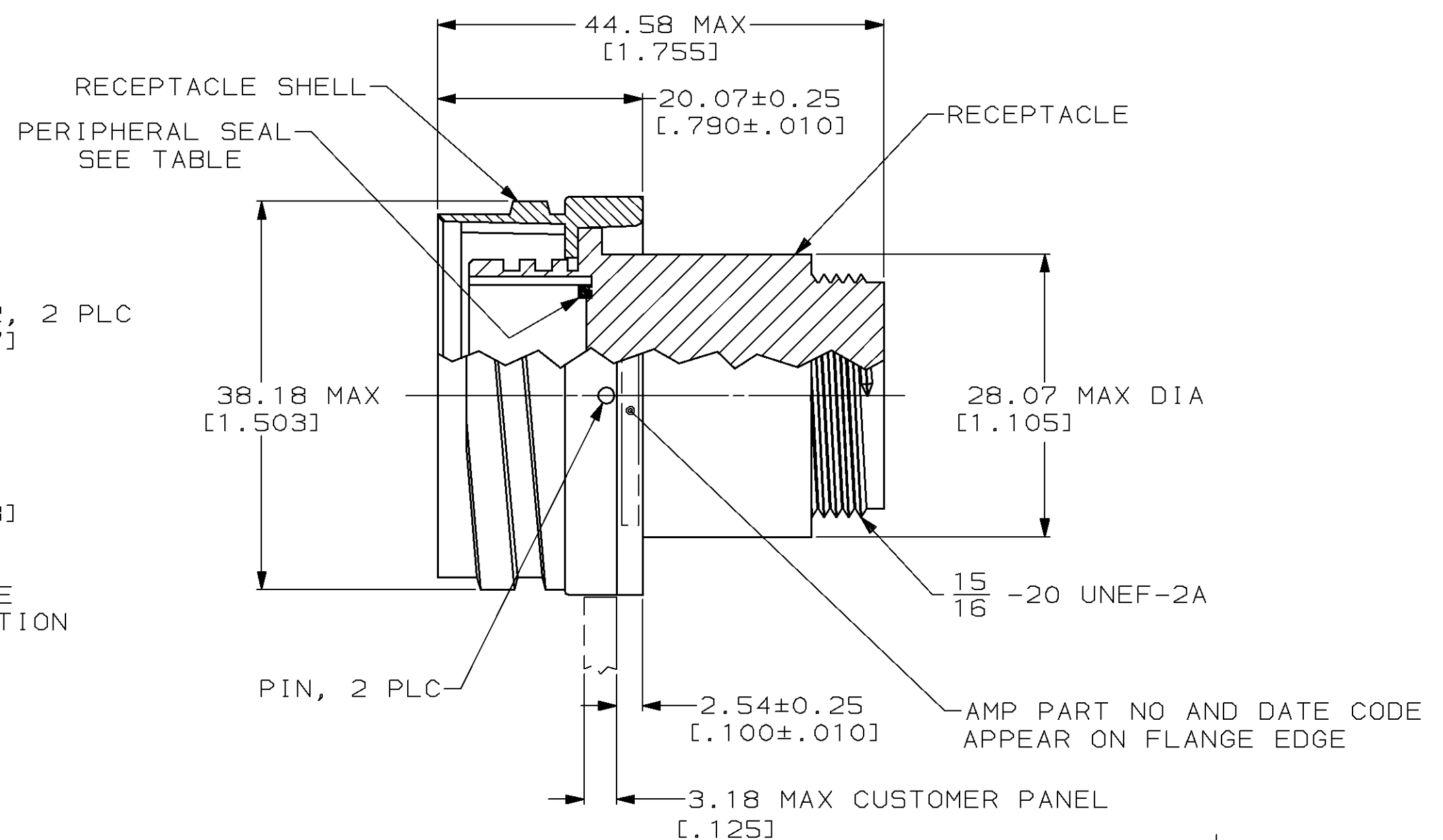
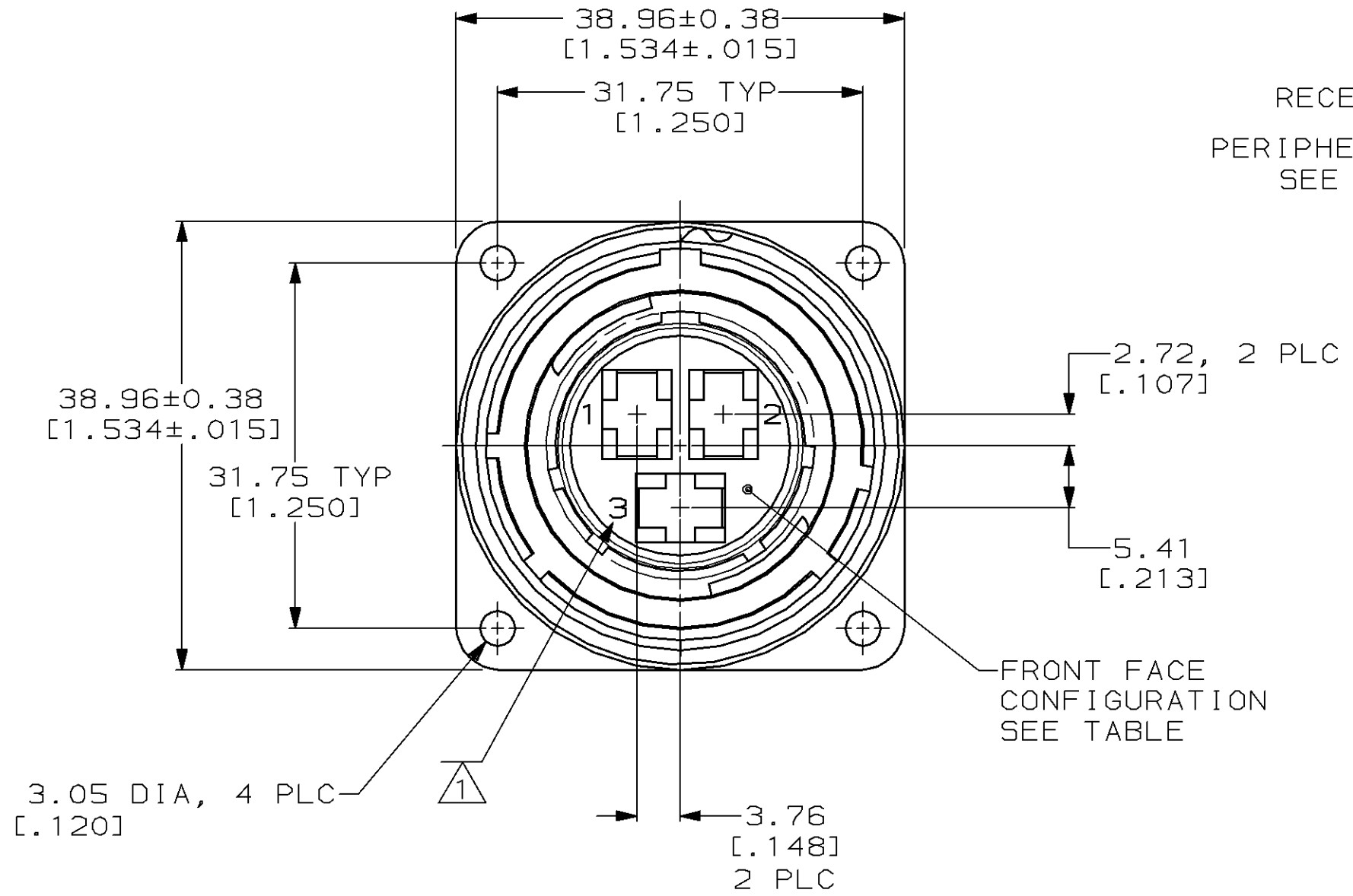
Tel: +86-755-8981 8866 Fax: +86-755-8427 6832

Email & Skype: info@chipsmall.com Web: www.chipsmall.com

Address: A1208, Overseas Decoration Building, #122 Zhenhua RD., Futian, Shenzhen, China



LOC		DIST		REVISIONS			
P	F	ZONE	LTR	DESCRIPTION	DATE	APPD	
BD	35		H	REDRAW ON CAD	1-29-92	KB	
			J	OBS -2 PER EC 0020-0394-93	11/17/94	RK	
			K	OBS -4 PER EC 0020-0136-95	17 JUL 95	AF	



OBSOLETE	PER DETAIL F	NO	208495-4
OBSOLETE	AS SHOWN	YES	208495-2
	AS SHOWN	NO	208495-1
	FRONT FACE CONFIGURATION	PERIPHERAL SEAL	PART NO

- ① CAVITY IDENTIFICATION CHARACTERS ON FRONT AND REAR FACE.
- 2. RECEPTACLE WILL ACCEPT 3 TYPE XII PIN CONTACTS.
- ③ 5.08µm [.000200] MIN NICKEL OVER 10.16µm [.000400] MIN COPPER.

DO NOT SCALE PRINT. UNLESS SPECIFIED DIMENSIONS IN mm [INCHES] TOLERANCES ON : 2 PLC DEC ± 0.13[.005] 3 PLC DEC ± - ANGLES ± -	DR 1-29-92 W.G.LENKER	AMP Incorporated Harrisburg, PA 17105-3608		
	CHK 2-11-92 D.STONE			NAME
MATERIAL RECEPTACLE: NYLON, BLACK RCPT SHELL: ZINC PERIP SEAL: ELASTOMER, GREY PIN: CARBON STEEL	APPD 2-12-92 K.BEAVER	RECEPTACLE ASSEMBLY, 22-3, STD SEX, CMC		
FINISH RCPT SHELL: ③ PIN: NICKEL PLATED	APPD 2-12-92 C.ROHDE			
	PRODUCT SPEC	SIZE	CAGE CODE	DRAWING NO
	APPLICATION SPEC	③	00779	208495
	WEIGHT -	SCALE	2:1	SHEET 1 OF 1