



Chipsmall Limited consists of a professional team with an average of over 10 year of expertise in the distribution of electronic components. Based in Hongkong, we have already established firm and mutual-benefit business relationships with customers from,Europe,America and south Asia,supplying obsolete and hard-to-find components to meet their specific needs.

With the principle of "Quality Parts,Customers Priority,Honest Operation,and Considerate Service",our business mainly focus on the distribution of electronic components. Line cards we deal with include Microchip,ALPS,ROHM,Xilinx,Pulse,ON,Everlight and Freescale. Main products comprise IC,Modules,Potentiometer,IC Socket,Relay,Connector.Our parts cover such applications as commercial,industrial, and automotives areas.

We are looking forward to setting up business relationship with you and hope to provide you with the best service and solution. Let us make a better world for our industry!



Contact us

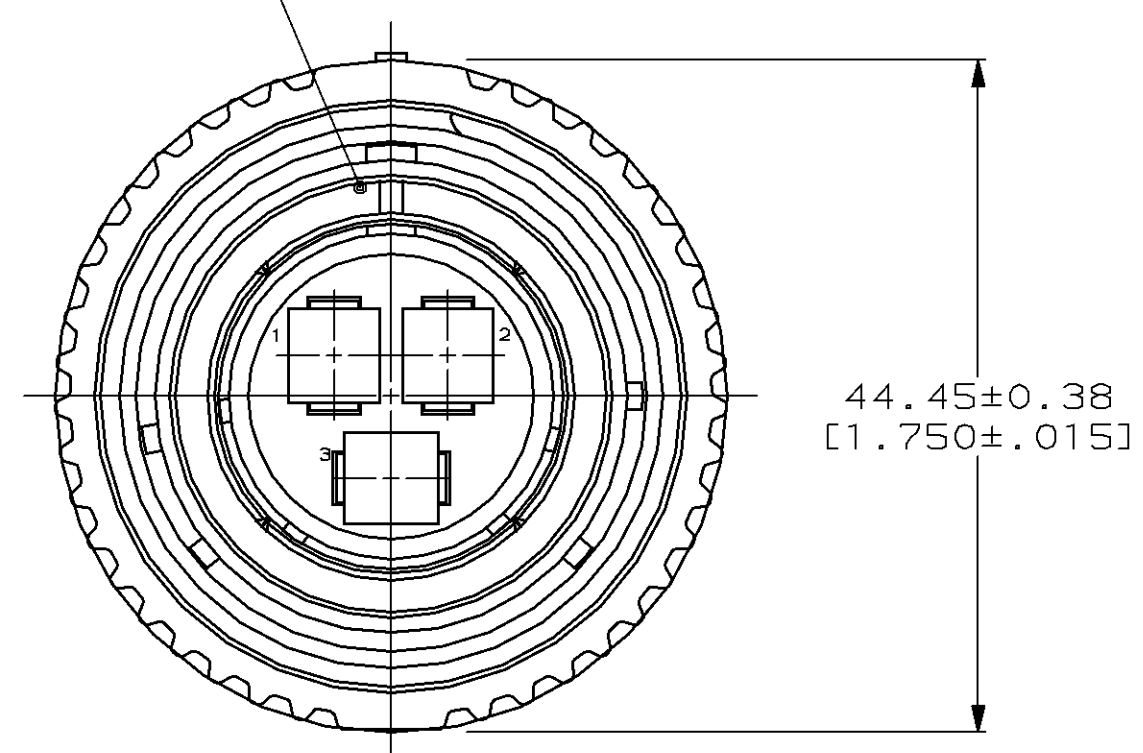
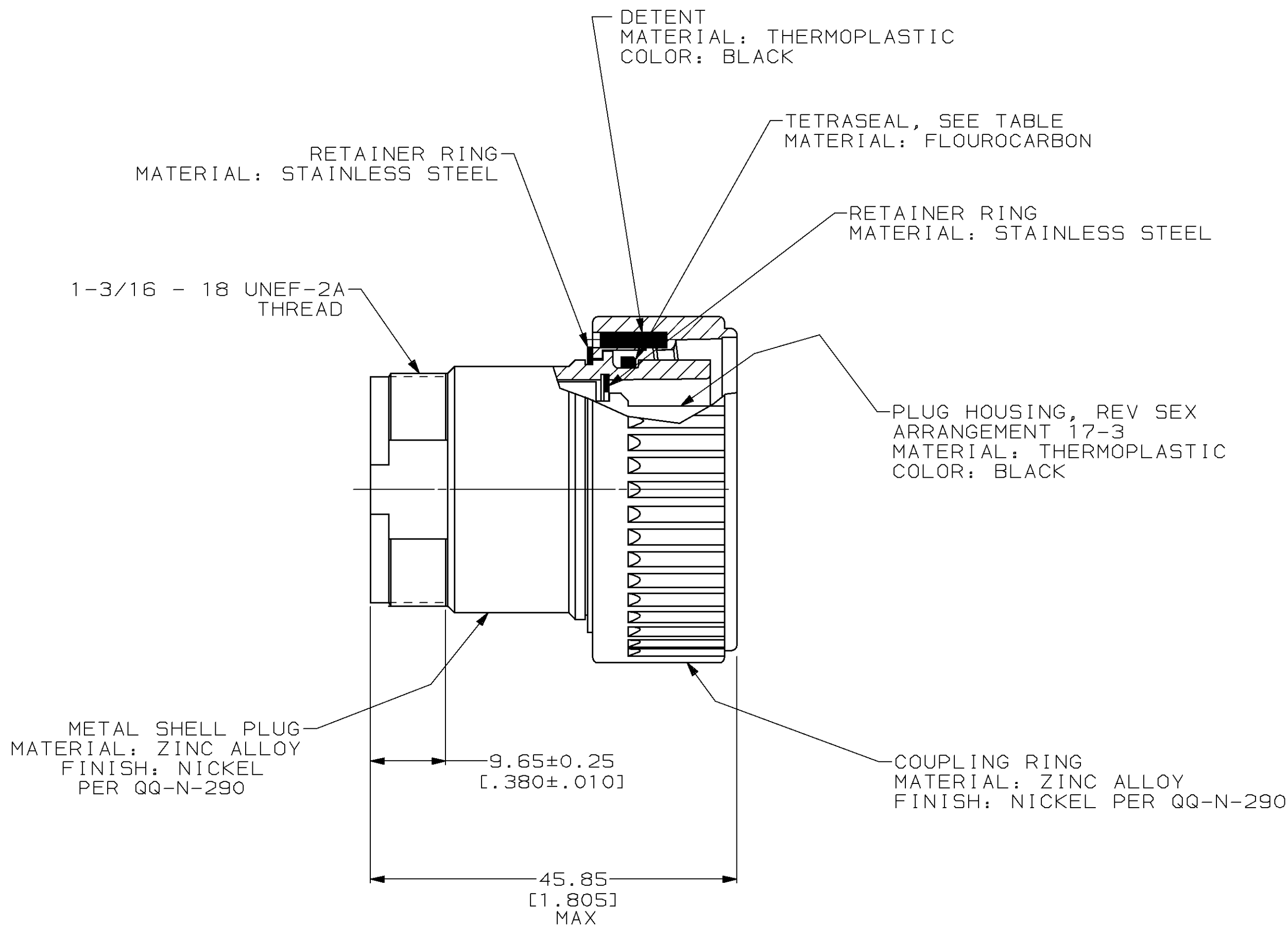
Tel: +86-755-8981 8866 Fax: +86-755-8427 6832

Email & Skype: info@chipsmall.com Web: www.chipsmall.com

Address: A1208, Overseas Decoration Building, #122 Zhenhua RD., Futian, Shenzhen, China



MOD	LOC	DIST	P	F	ZONE	LTR	DESCRIPTION	DATE	APPD
4	BD	35				H	REDRAWN & REV PER ECN BD5454	7-1-92	-
						J	OBS -3 PER EC 0020-0394-93	11/17/94	RK



- 208496-1 MATES WITH RECEPTACLE 208497-1.
208496-3 MATES WITH RECEPTACLE 208497-3.
- AMP PART NUMBER AND DATE CODE TO BE LOCATED APPROX ON COUPLING RING.
- THIS PLUG ACCEPTS THREE TYPE XII MALE CONTACTS.
MAX WIRE INSULATION DIA = .220.

OBSOLETE	YES	208496-3
	NO	208496-1
	TETRASEAL	PART NO

DO NOT SCALE PRINT. UNLESS SPECIFIED DIMENSIONS IN mm [INCHES] TOLERANCES ON : 2 PLC DEC ± - 3 PLC DEC ± - ANGLES ± -	DR 12-3-92 H MOLL	AMP Incorporated Harrisburg, PA 17105-3608		
	CHK 12-29-92 R.STONE			
SEE CALLOUT	APPD 12-29-92 K.BEAVER	PLUG ASSEMBLY, REVERSE SEX, SERIES 3, 22-3, CMC		
FINISH	APPD 12-29-92 C.ROHDE			
SEE CALLOUT	PRODUCT SPEC 108-10040	SIZE	CAGE CODE	DRAWING NO
	APPLICATION SPEC	③	00779	③=208496
	WEIGHT -	SCALE	2:1	SHEET 1 OF 1

THIS DRAWING IS A CONTROLLED DOCUMENT FOR AMP INCORPORATED. IT IS SUBJECT TO CHANGE AND THE CONTROLLING ENGINEERING ORGANIZATION SHOULD BE CONTACTED FOR THE LATEST REVISION.