



Chipsmall Limited consists of a professional team with an average of over 10 year of expertise in the distribution of electronic components. Based in Hongkong, we have already established firm and mutual-benefit business relationships with customers from,Europe,America and south Asia,supplying obsolete and hard-to-find components to meet their specific needs.

With the principle of “Quality Parts,Customers Priority,Honest Operation,and Considerate Service”,our business mainly focus on the distribution of electronic components. Line cards we deal with include Microchip,ALPS,ROHM,Xilinx,Pulse,ON,Everlight and Freescale. Main products comprise IC,Modules,Potentiometer,IC Socket,Relay,Connector.Our parts cover such applications as commercial,industrial, and automotives areas.

We are looking forward to setting up business relationship with you and hope to provide you with the best service and solution. Let us make a better world for our industry!



Contact us

Tel: +86-755-8981 8866 Fax: +86-755-8427 6832

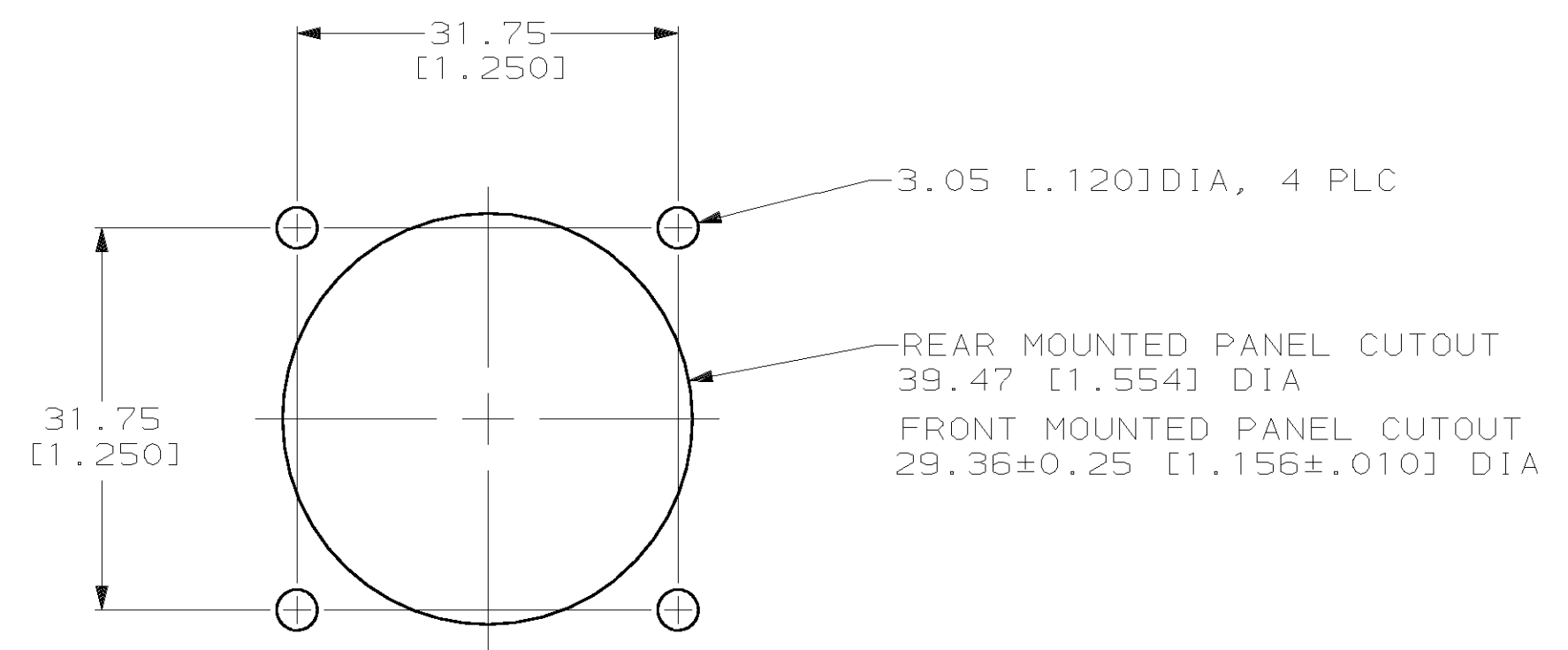
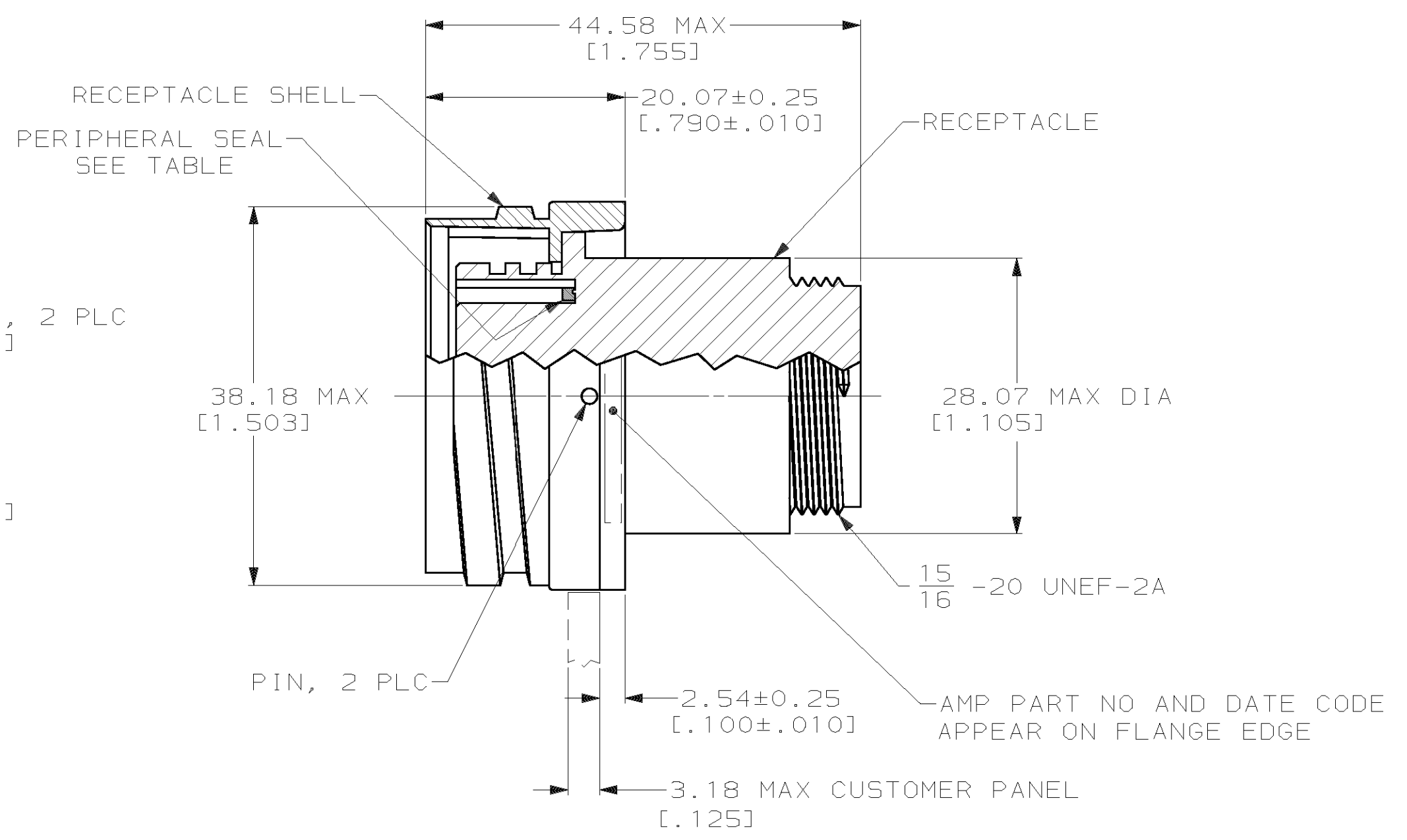
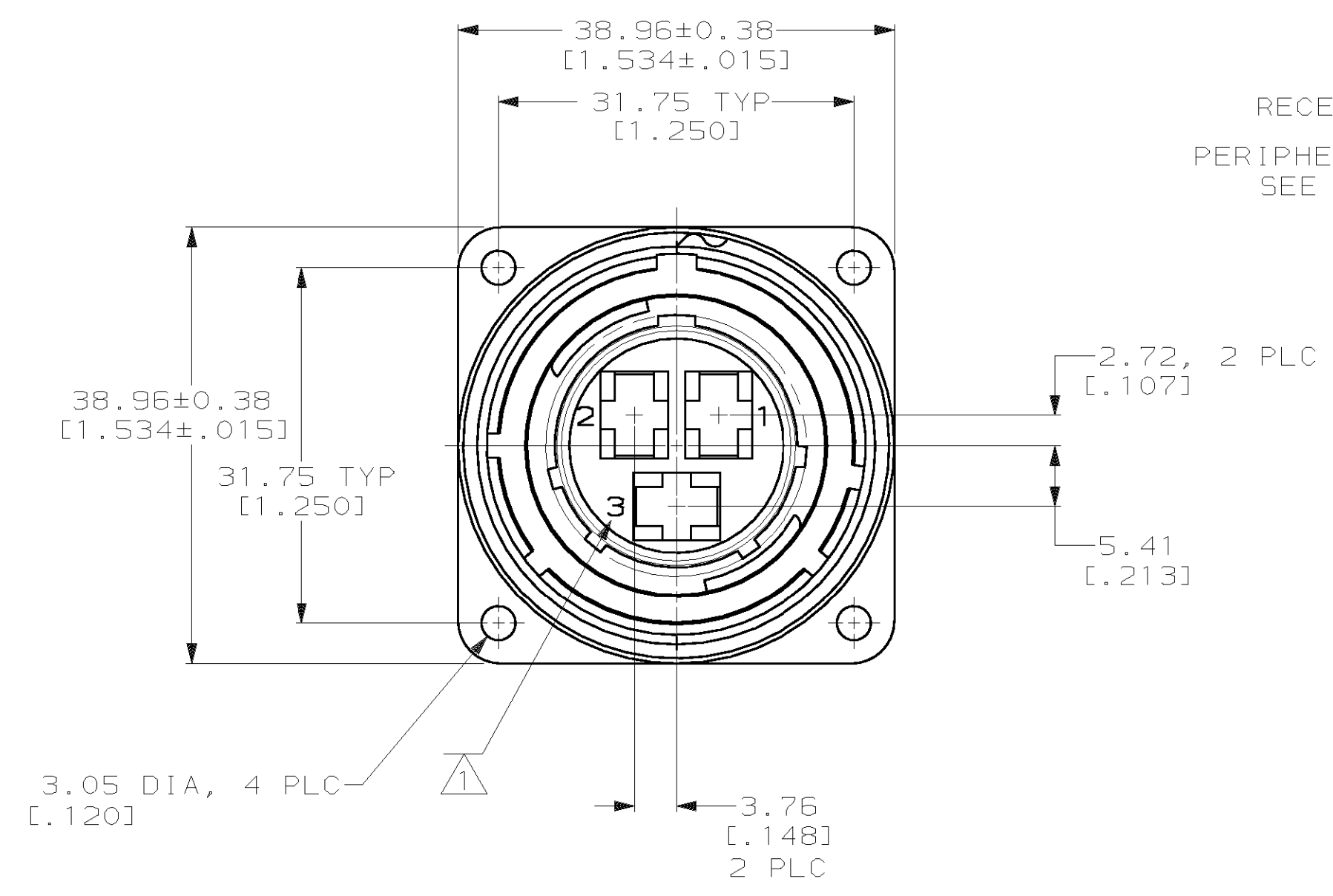
Email & Skype: info@chipsmall.com Web: www.chipsmall.com

Address: A1208, Overseas Decoration Building, #122 Zhenhua RD., Futian, Shenzhen, China



THIS DRAWING IS UNPUBLISHED. RELEASED FOR PUBLICATION
 © COPYRIGHT 19 BY AMP INCORPORATED. ALL INTERNATIONAL RIGHTS RESERVED.

LOC		DIST		P		F		REVISIONS		DATE	APPD
ZONE	LTR	DESCRIPTION		DATE	APPD						
FT	4			G		REDRAW ON CAD	1-29-92	KB			
				H		OBS -1 PER EC 0020-0394-93	11/17/94	RK			
				J		REACTIVATE -1 PER EC 061C-0002-99	15 JAN 99	MC			



RECOMMENDED PANEL CUTOUT

- 1 CAVITY IDENTIFICATION CHARACTERS ON FRONT AND REAR FACE.
- 2. RECEPTACLE WILL ACCEPT 3 TYPE XII SOCKET CONTACTS.
- 3 5.08µm [0.000200] MIN NICKEL OVER 10.16µm [0.000400] MIN COPPER.

YES	208497-2
NO	208497-1
PERIPHERAL SEAL	PART NO

DO NOT SCALE PRINT. UNLESS SPECIFIED DIMENSIONS IN mm [INCHES] TOLERANCES ON: 2 PLC DEC ± 0.13[0.005] 3 PLC DEC ± - ANGLES ± -		DR 1-29-92 W.G.LENKER CHK 2-11-92 R.STONE APPD 2-12-92 K.BEAVER APPD 2-12-92 C.ROHDE		AMP Incorporated Harrisburg, PA 17105-3608 NAME RECEPTACLE ASSEMBLY, 22-3, REV SEX, CMC	
MATERIAL RECEPTACLE: NYLON, BLACK RCPT SHELL: ZINC PERIP SEAL: ELASTOMER, GREY PIN: CARBON STEEL		PRODUCT SPEC -			
FINISH RCPT SHELL: 3 PIN: NICKEL PLATED		APPLICATION SPEC -		SIZE CAGE CODE DRAWING NO C 00779 208497	SHEET 1 OF 1
WEIGHT -		SCALE 2:1			