



Chipsmall Limited consists of a professional team with an average of over 10 year of expertise in the distribution of electronic components. Based in Hongkong, we have already established firm and mutual-benefit business relationships with customers from,Europe,America and south Asia,supplying obsolete and hard-to-find components to meet their specific needs.

With the principle of “Quality Parts,Customers Priority,Honest Operation,and Considerate Service”,our business mainly focus on the distribution of electronic components. Line cards we deal with include Microchip,ALPS,ROHM,Xilinx,Pulse,ON,Everlight and Freescale. Main products comprise IC,Modules,Potentiometer,IC Socket,Relay,Connector.Our parts cover such applications as commercial,industrial, and automotives areas.

We are looking forward to setting up business relationship with you and hope to provide you with the best service and solution. Let us make a better world for our industry!



Contact us

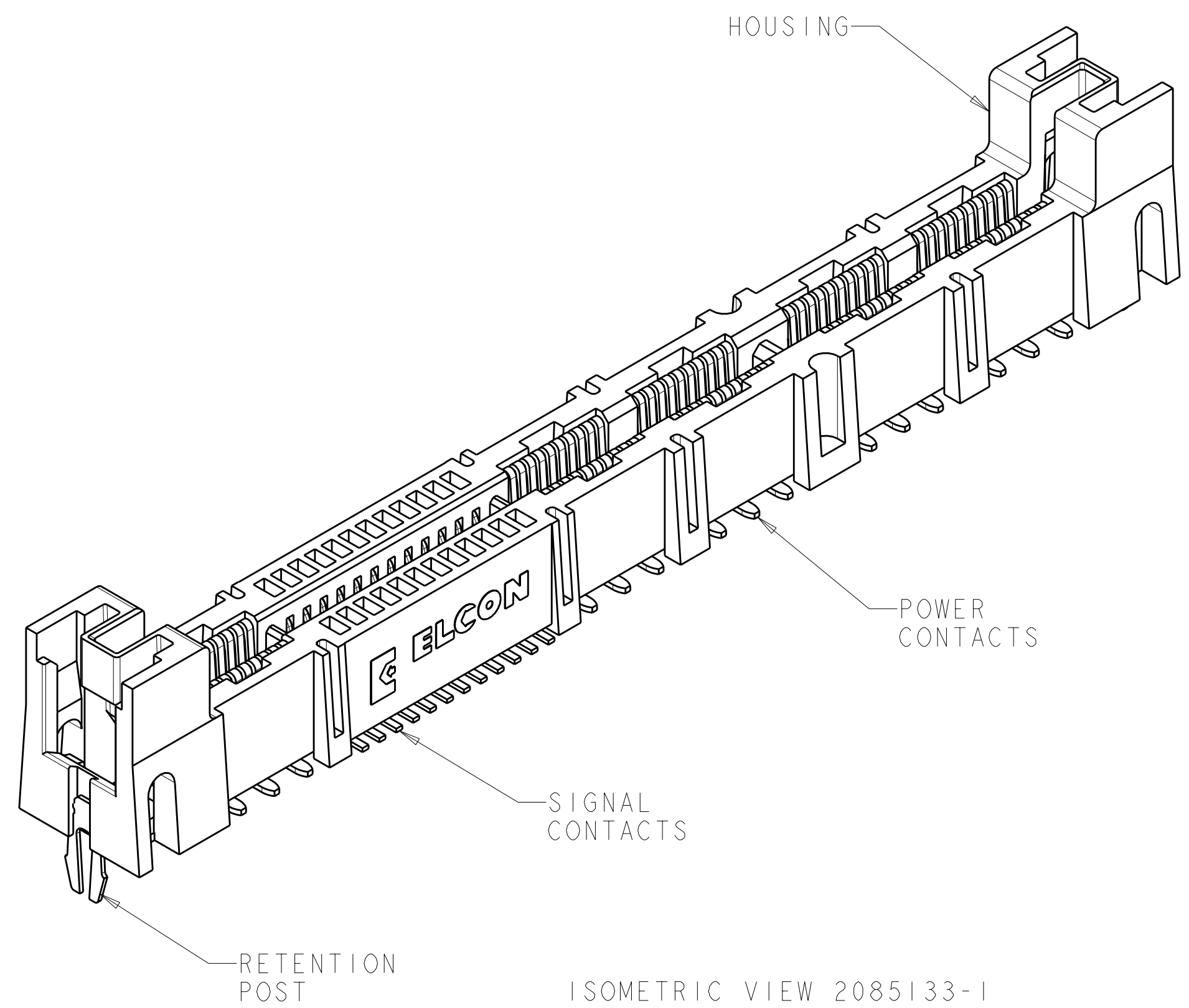
Tel: +86-755-8981 8866 Fax: +86-755-8427 6832

Email & Skype: info@chipsmall.com Web: www.chipsmall.com

Address: A1208, Overseas Decoration Building, #122 Zhenhua RD., Futian, Shenzhen, China



LOC	DIST	REVISIONS			
		REV	DATE	BY	APPD
GP	00	A	RELEASED	24FEB2009	RG PD



1. PART NUMBER CHANGES AND OR DESIGN CHANGES AFFECTING ITEM INTERCHANGEABILITY REQUIRE PRIOR TYCO ELECTRONICS APPROVAL AND AUTHORIZATION BY REVISION TO THIS DRAWING.

2. MATERIAL:
 HOUSING: GLASS FILLED POLYESTER, COLOR-BLACK
 UL94V-0 FLAMMABILITY RATED
 CONTACTS: COPPER ALLOY
 RETENTION POST: COPPER ALLOY

3. FINISH:
 SIGNAL CONTACTS:
 MATING AREA-0.76µm MIN GOLD OVER 3.81µm MIN NICKEL
 0.64µm MIN NICKEL PLATE OVER REMAINDER
 SMT TAILS-3.81µm MIN MATTE TIN OVER NICKEL PLATE
 POWER CONTACTS:
 1.27µm MIN NICKEL PLATE ALL OVER
 MATING AREA-0.76µm MIN GOLD OVER NICKEL PLATE
 SMT TAILS-3.05µm MIN TIN OVER NICKEL PLATE
 RETENTION POSTS:
 3.05µm MIN MATTE TIN OVER 0.63µm MIN NICKEL

4. ITEMS PROVIDED TO THIS SPECIFICATION TO BE PERMANENTLY IDENTIFIED WITH PART NUMBER AND DATE CODE.

5. MAXIMUM BURR OF 0.013 ON CARD TAB AREA.

6. SET TRACE BACK FROM PC BOARD EDGE. NO SOLDERMASK ALLOWED BETWEEN PC BOARD EDGE AND TRACE.

7. CONNECTOR ACCEPTS 1.57±0.13 THICK PC BOARD.

8. KEEP OUT AREA FOR COMPONENTS ONLY.

9. RECOMMENDED GOLD FINGER LENGTH FOR RELIABLE CONTACT.

10. DATUMS AND BASIC DIMENSIONS ESTABLISHED BY CUSTOMER.

11. FOR DESIGN OBJECTIVES SEE 108-2301.

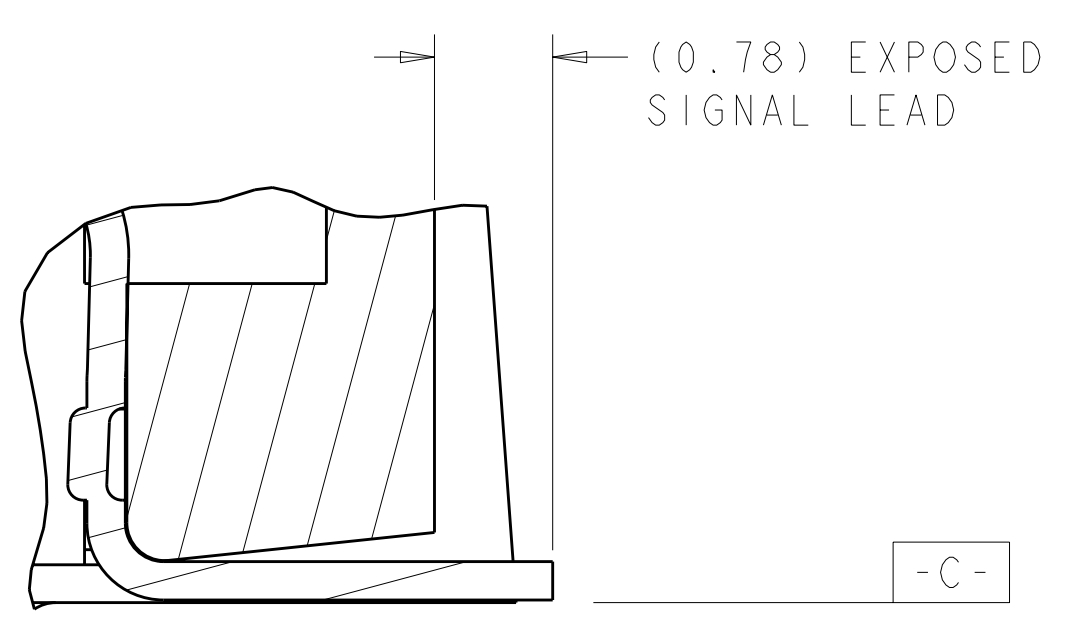
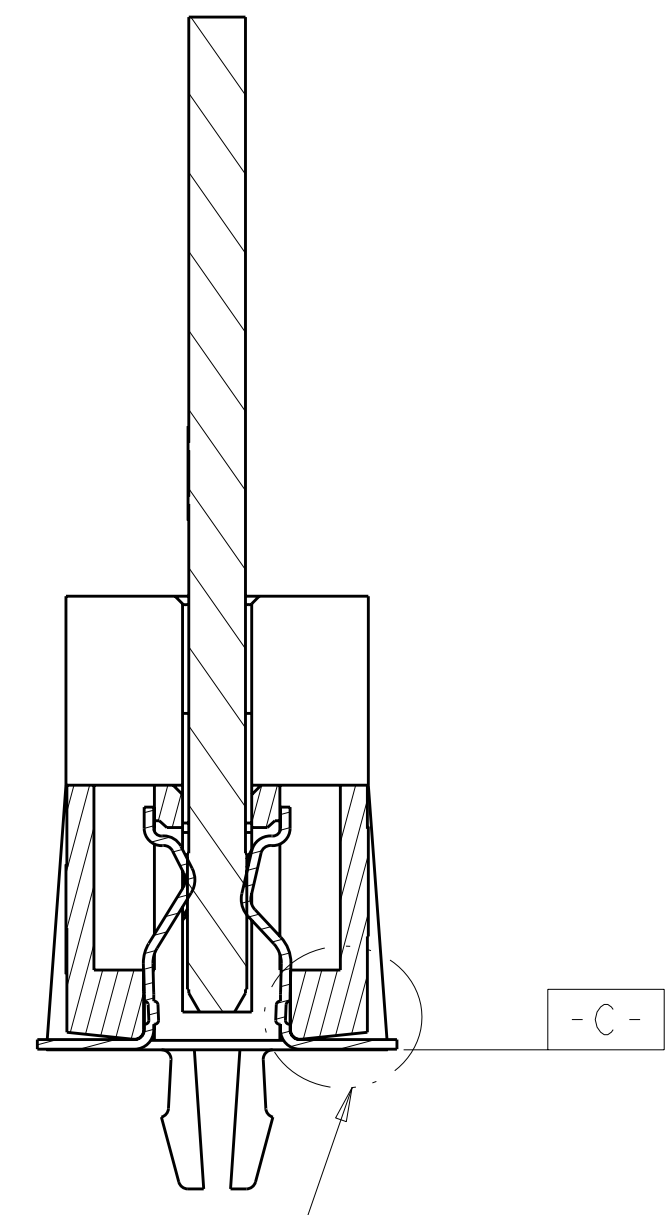
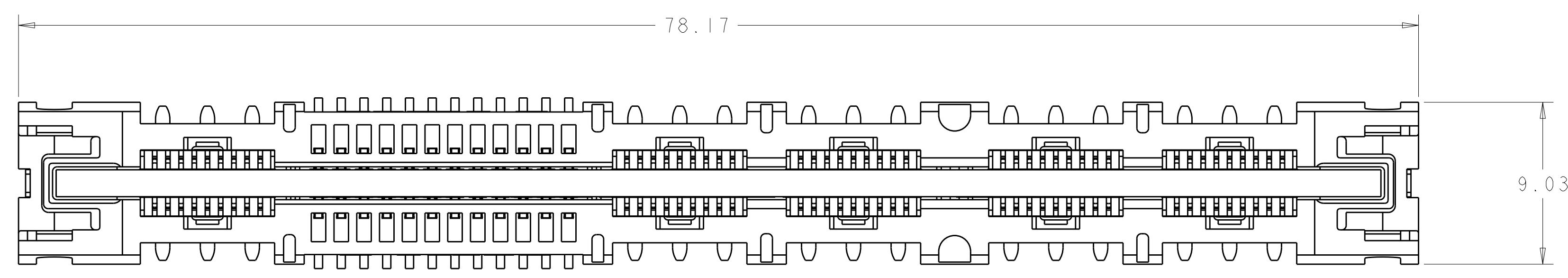
12. THIS PRODUCT HAS NOT PASSED QUALIFICATION TESTING.

2.92-3.55	4.61	2085133-3
2.29-2.92	4.19	2085133-2
≤ 1.57	3.68	2085133-1
BOARD THICKNESS RANGE	DIM. "A"	PART NUMBER

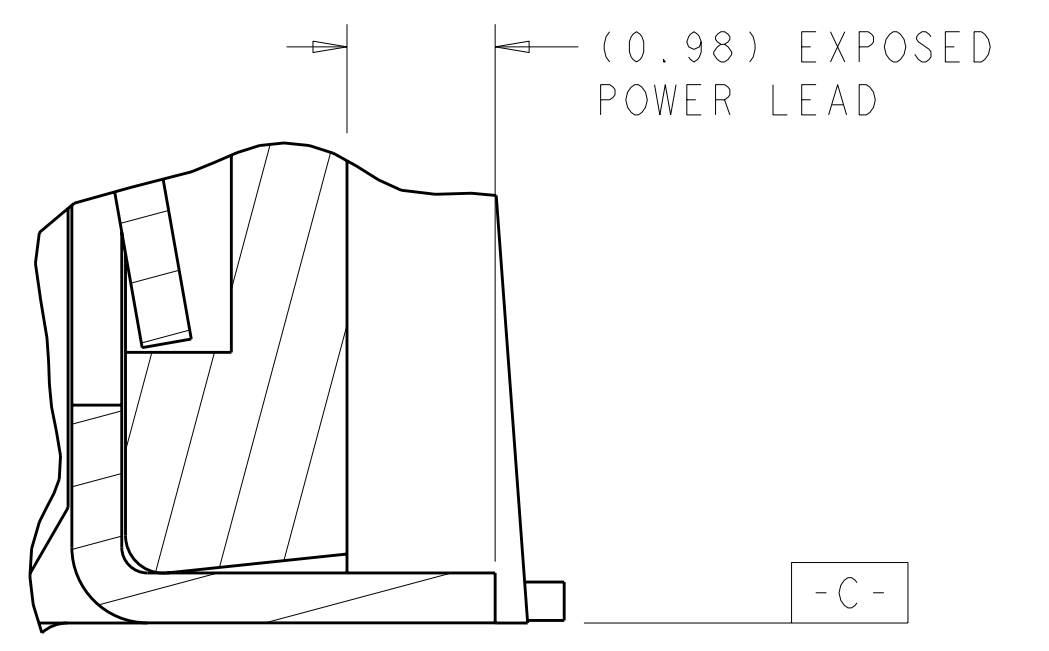
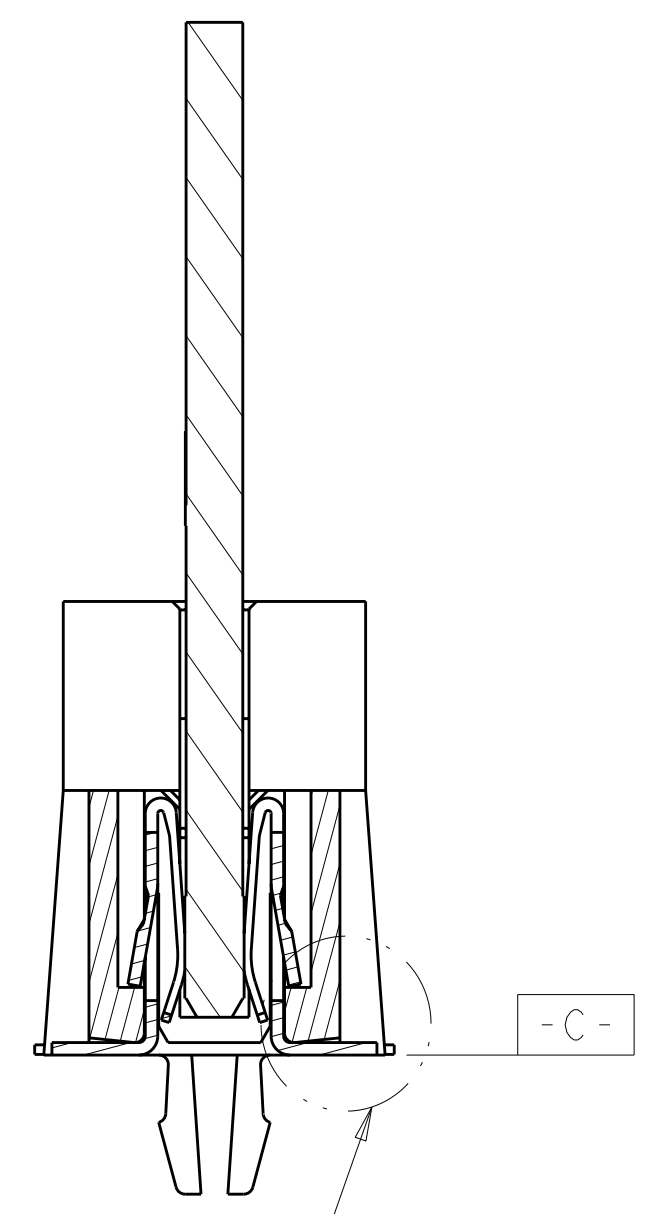
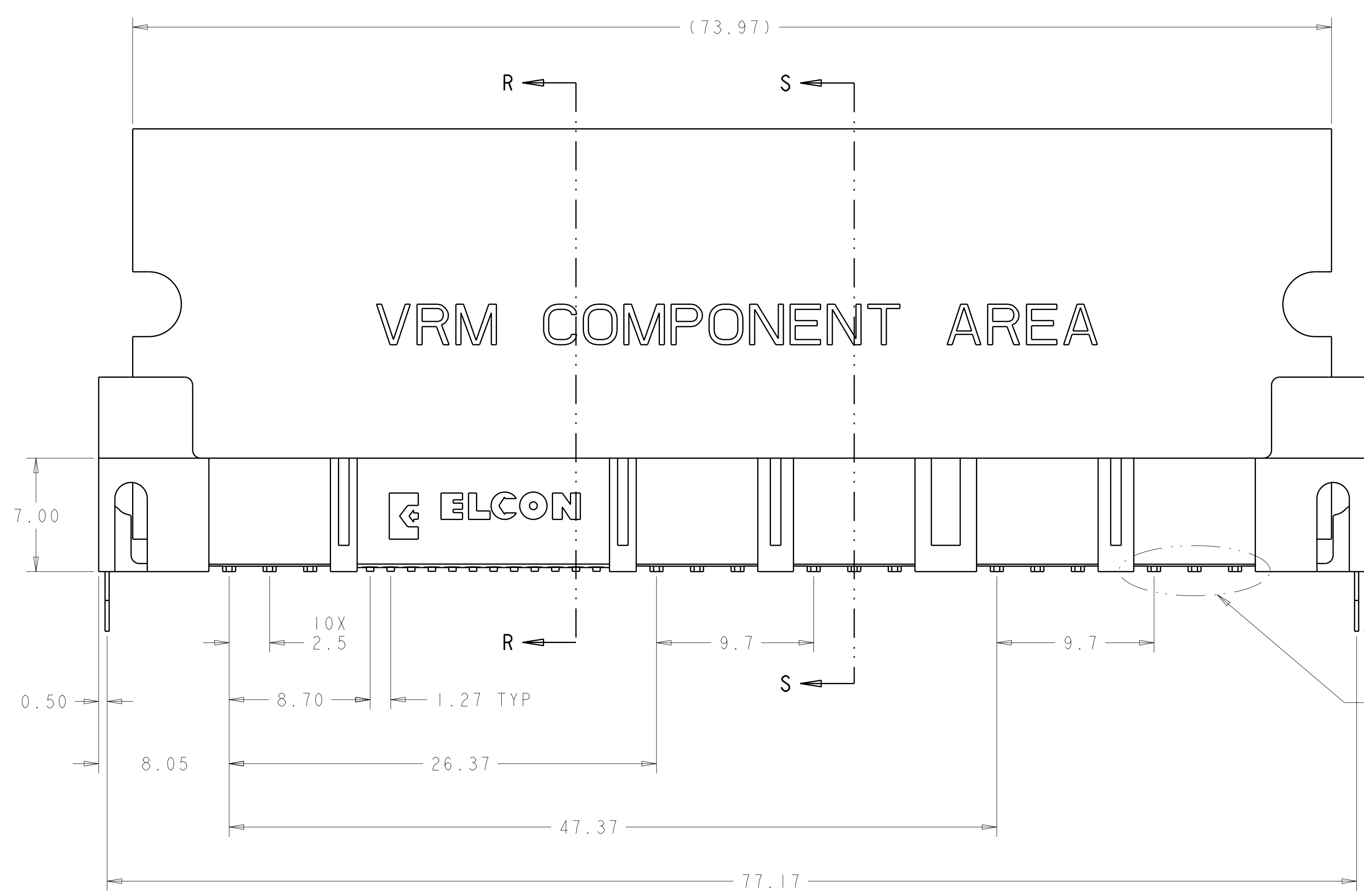
<small>THIS DRAWING IS UNPUBLISHED. RELEASED FOR PUBLICATION 20. THIS IS SUBJECT TO CHANGE WITHOUT NOTICE. THE INFORMATION CONTAINED HEREIN IS UNCLASSIFIED EXCEPT WHERE SHOWN OTHERWISE. THIS DRAWING IS UNPUBLISHED. RELEASED FOR PUBLICATION 20.</small>		DWN: R. GRZYBOWSKI 30JAN2009 CHK: P. D'AMATO 30JAN2009 APVD: M. PERCHERIE 30JAN2009	Tyco Electronics Harrisburg, PA 17105-3608
DIMENSIONS: mm 	TOLERANCES UNLESS OTHERWISE SPECIFIED: 9 PLC ±.5 1 PLC ±.5 5 PLC ±.25 4 PLC ±.5 ANGLES ±.2	NAME: SOCKET CONNECTOR, SMT P2-S24-P8 MINI CROWN EDGE PRODUCT SPEC: APPLICATION SPEC: WEIGHT:	SIZE: A 00779 C=2085133 SCALE: 5:1 SHEET 1 OF 4 REV A
MATERIAL: 2	FINISH: 3	CUSTOMER DRAWING	

LOC	DIST	REV	DATE	BY	APPD
GP	00				

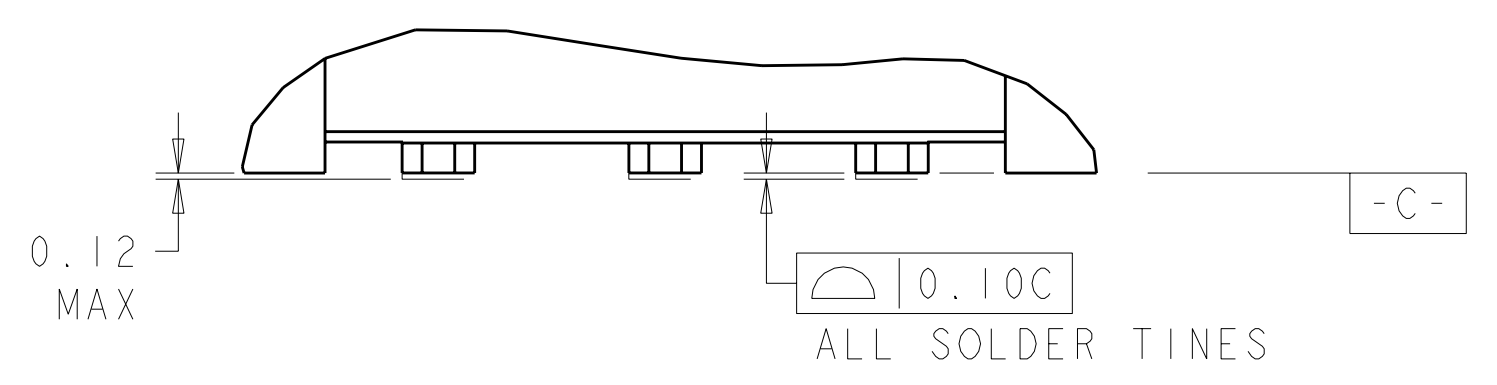
REV	DATE	DESCRIPTION
-	-	SEE SHEET 1



DETAIL H
SCALE 20:1



DETAIL G
SCALE 20:1

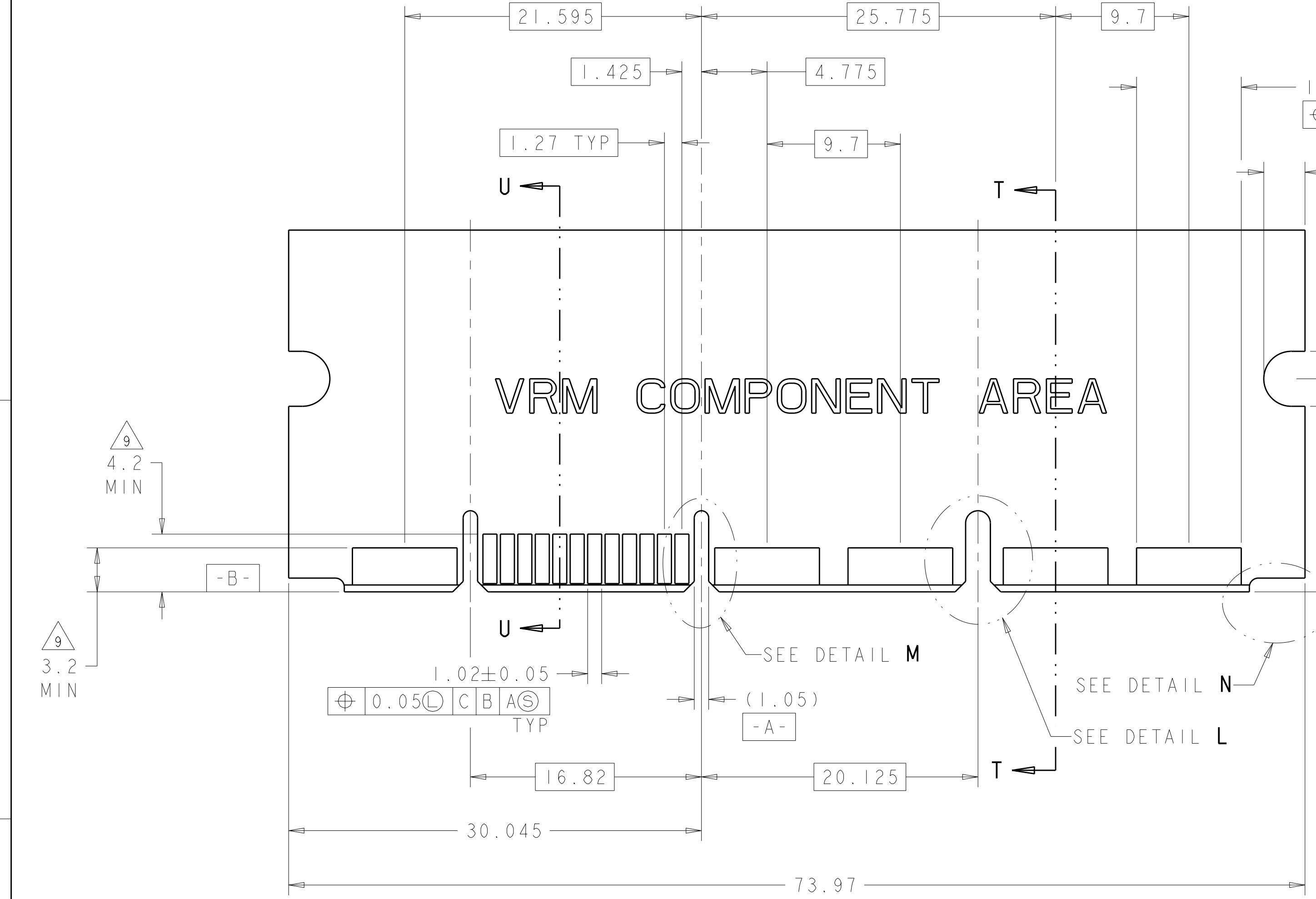


DETAIL Z
SCALE 12:1

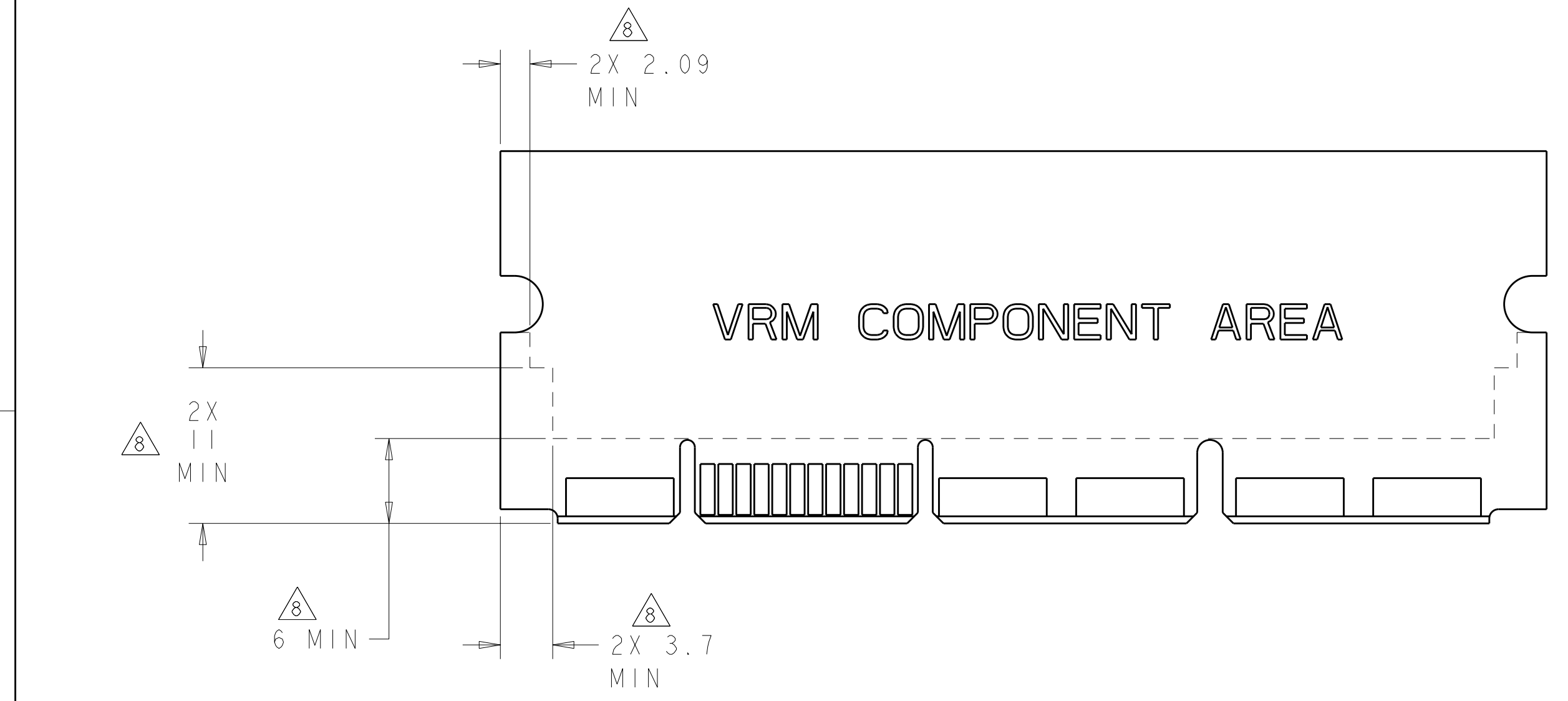
DIMENSIONS: mm TOLERANCES UNLESS OTHERWISE SPECIFIED: 9 PLC ±.5 3 PLC ±.25 4 PLC ±.2 ANGLES #2 MATERIAL FINISH		DWN: R. GRZYBOWSKI 30 JAN 2009 CHK: P. D'AMATO 30 JAN 2009 APVD: M. PERCHERIE 30 JAN 2009 PRODUCT SPEC APPLICATION SPEC WEIGHT CUSTOMER DRAWING	Tyco Electronics Harrisburg, PA 17105-3608 NAME: SOCKET CONNECTOR, SMT P2-S24-P8 MINI CROWN EDGE SIZE: CAGE CODE: DRAWING NO: A100779C-2085133 RESTRICTED TO:
AMP 4805 REV 31MAR2000		SCALE: 5:1 SHEET: 2 OF 4 REV: A	

LOC	DIST	REV	DATE	BY	APPD
GP	00				

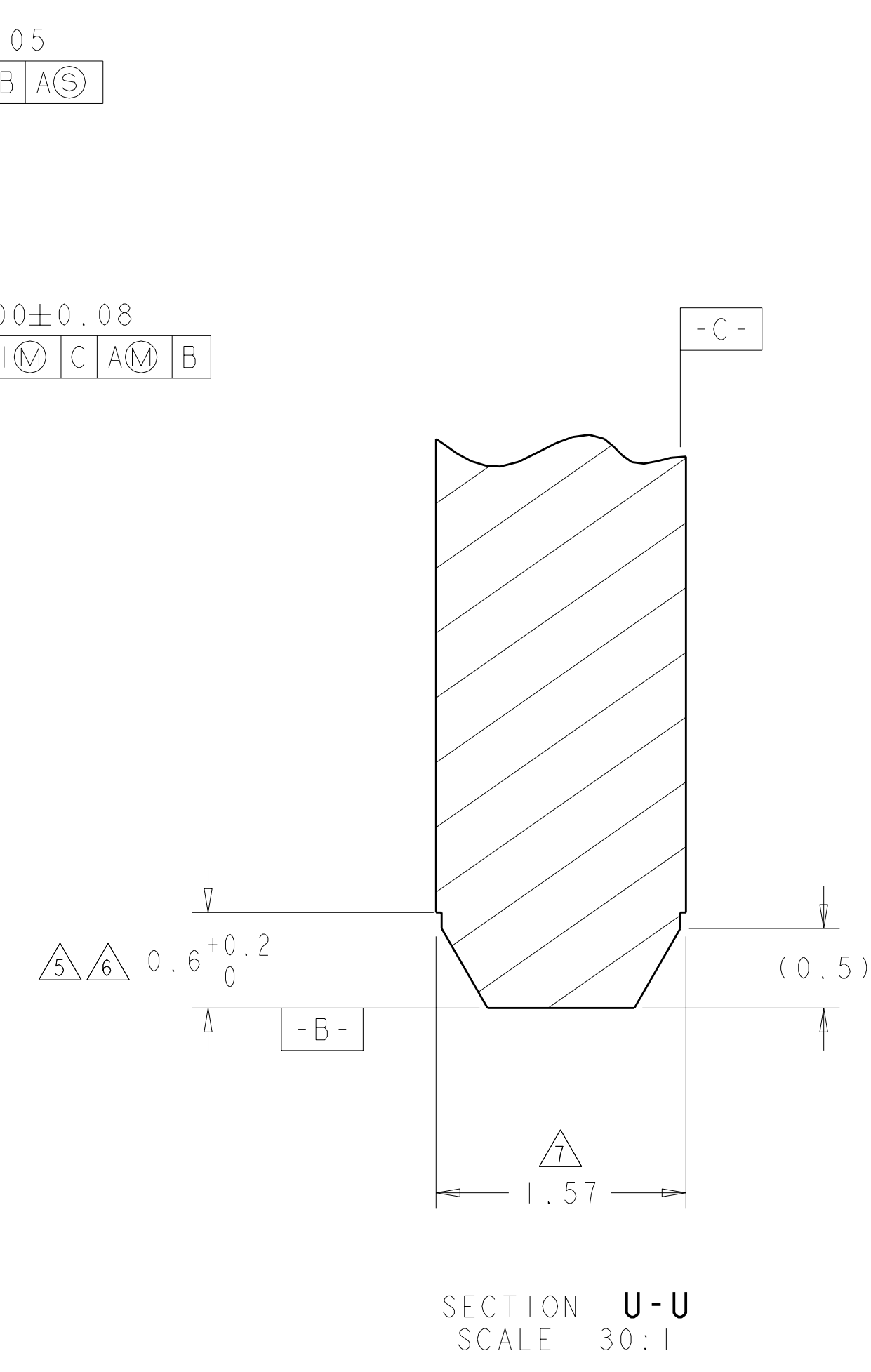
REVISIONS		DATE	BY	APPD
-	SEE SHEET 1	-	-	-



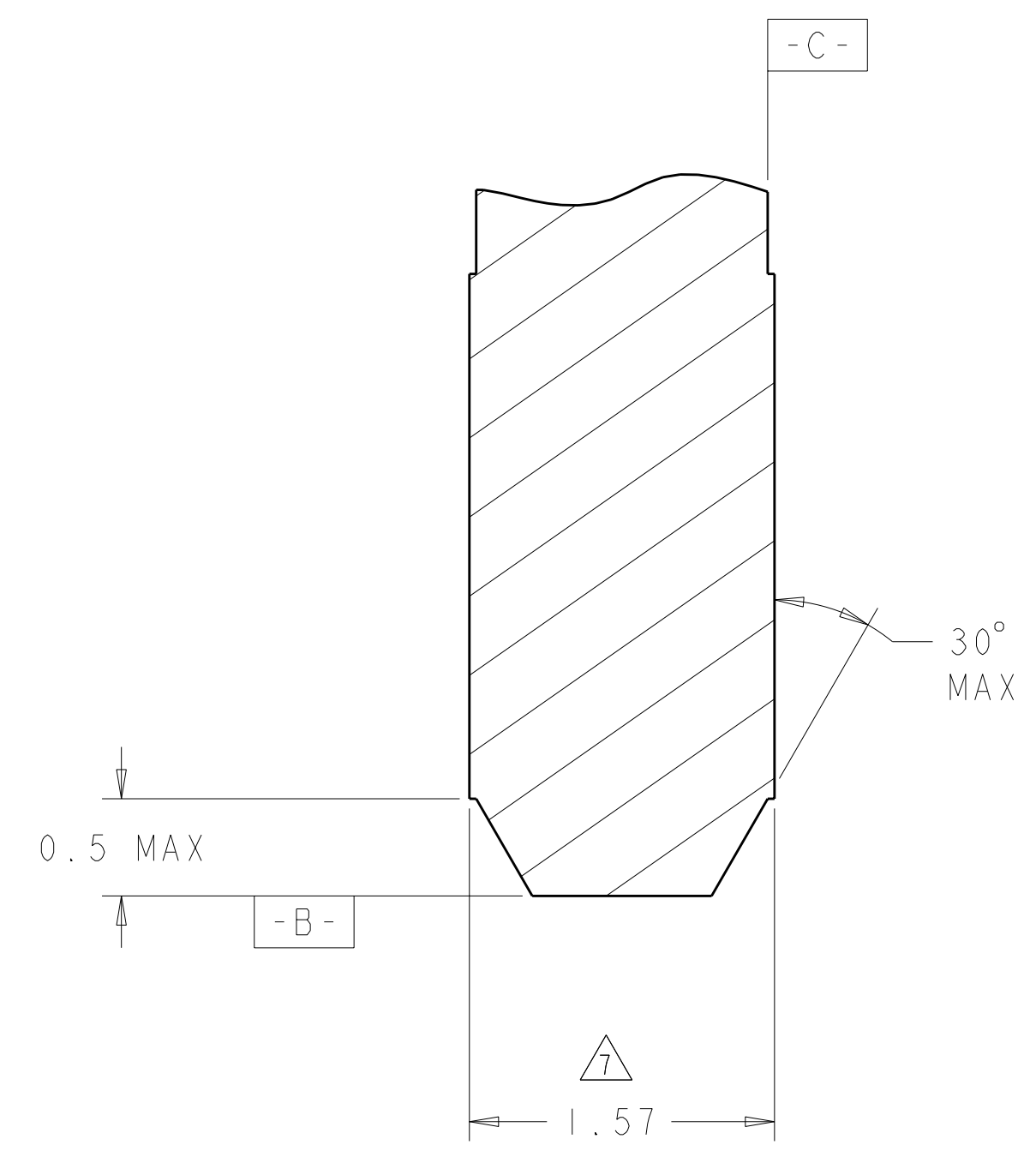
RECOMMENDED MATING BOARD SCALE 4:1



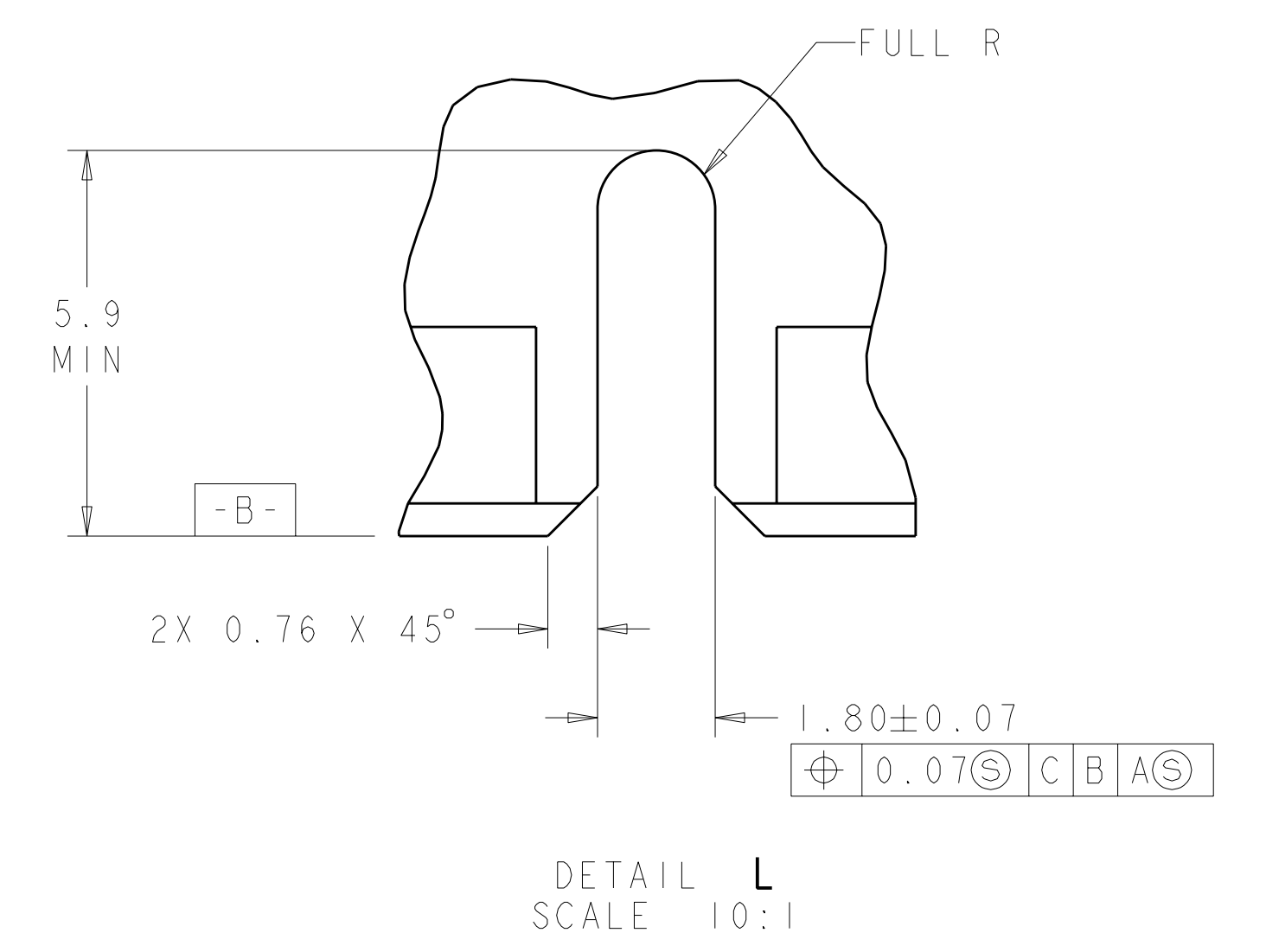
RECOMMENDED PC BOARD KEEP OUT AREA SCALE 3:1



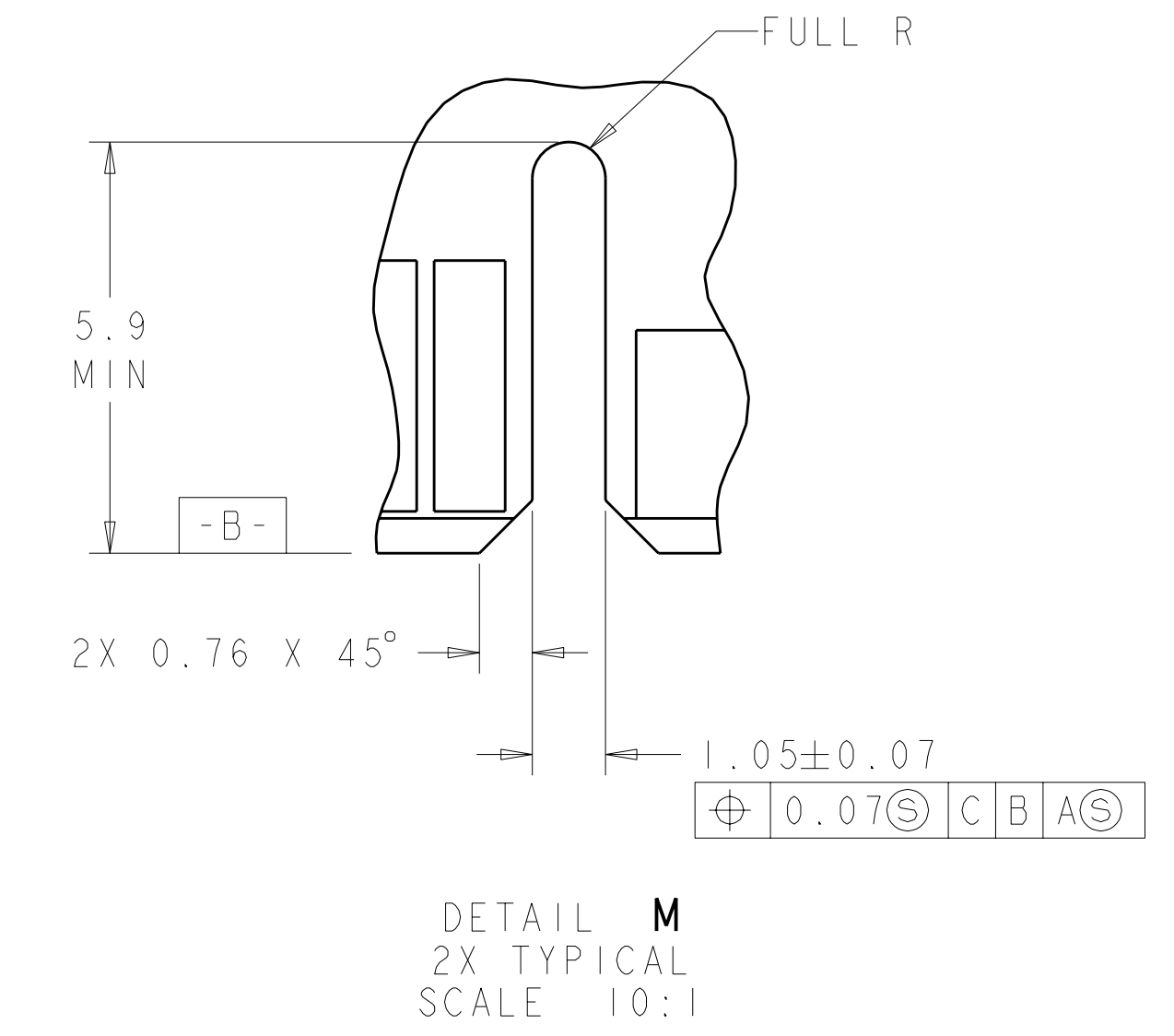
SECTION U-U SCALE 30:1



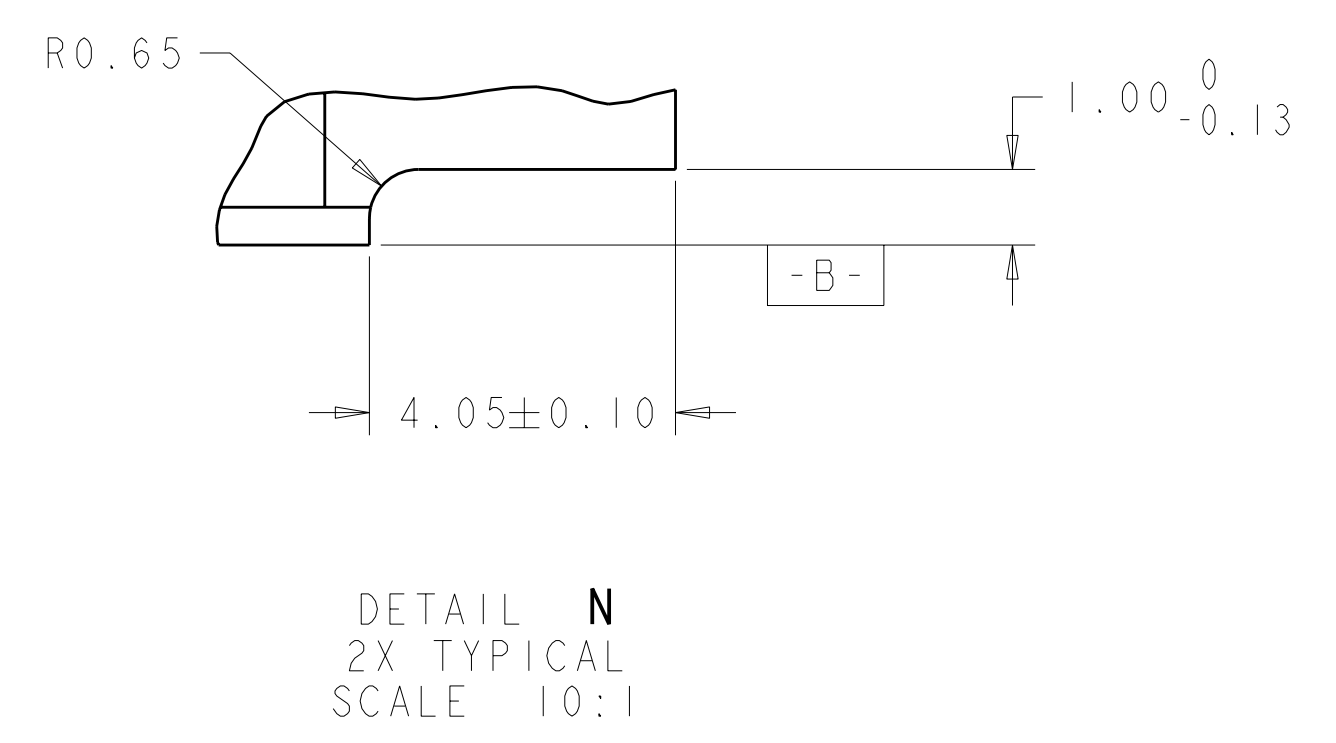
SECTION T-T SCALE 30:1



DETAIL L SCALE 10:1



DETAIL M 2X TYPICAL SCALE 10:1



DETAIL N 2X TYPICAL SCALE 10:1

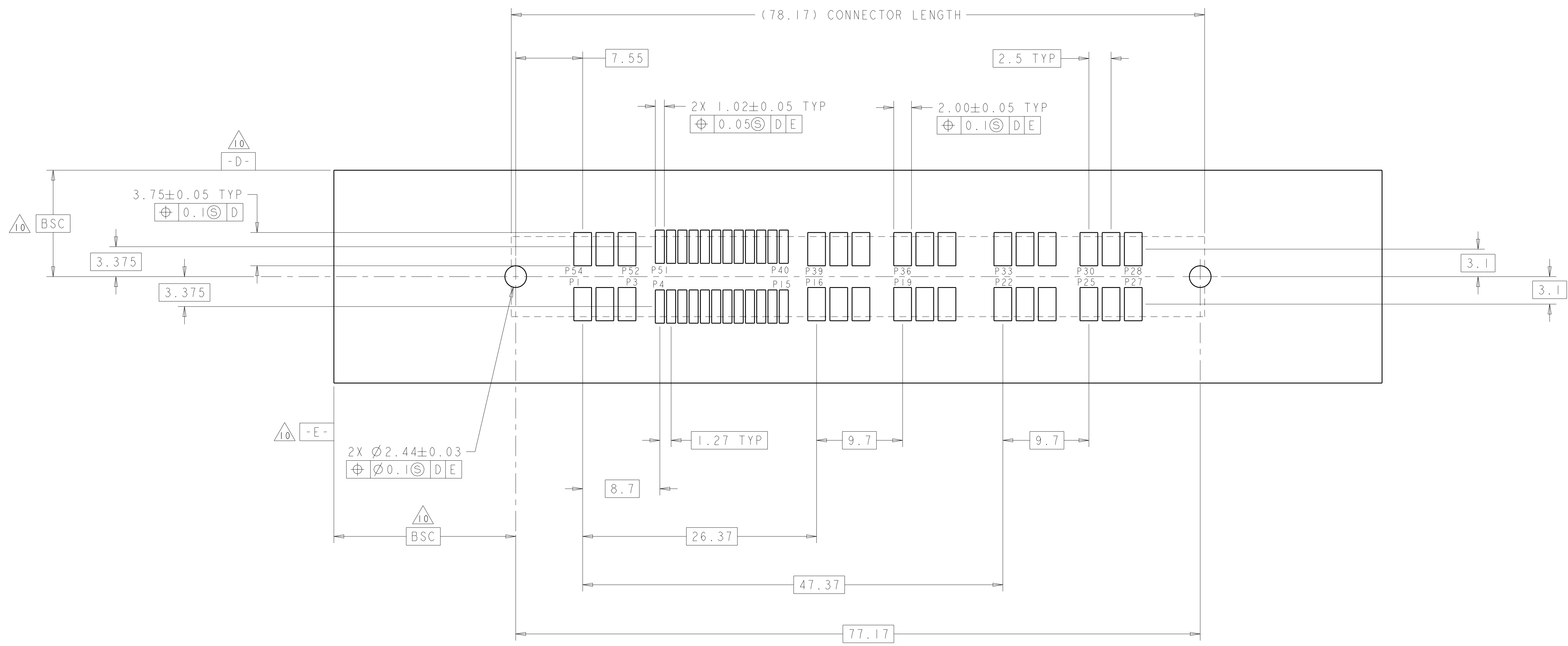
DIMENSIONS:		TOLERANCES UNLESS OTHERWISE SPECIFIED:		MATERIAL:		FINISH:		MATERIAL:		FINISH:	
mm		9 PLC	±.5								
		1 PLC	±.25								
		2 PLC	±.25								
		3 PLC	±.25								
		4 PLC	±.25								
		5 PLC	±.25								
		6 PLC	±.25								
		7 PLC	±.25								
		8 PLC	±.25								
		9 PLC	±.25								
		ANGLES	±.2								

DATE	BY	APPD	NAME	PRODUCT SPEC	APPLICATION SPEC	WEIGHT	CUSTOMER DRAWING
30 JAN 2009	R. GRZYBOWSKI						
30 JAN 2009	P. D'AMATO						
30 JAN 2009	M. PERCHERIE						

SIZE	CAGE CODE	DRAWING NO	RESTRICTED TO
A	100779	C=2085133	

SCALE	SHEET	OF	REV
5:1	3	4	A

LOC	DIST	REVISIONS			
GP	00	REV	DATE	DWN	APVD
		-	SEE SHEET 1	-	-



RECOMMENDED SOLDER LAND GUIDELINE
 AS VIEWED FROM CONNECTOR SIDE
 SCALE 4:1

<small>THIS DRAWING IS UNPUBLISHED. RELEASED FOR PUBLICATION BY TYCO ELECTRONICS CORPORATION. ALL RIGHTS RESERVED.</small> <small>THIS IS SUBJECT TO CHANGE WITHOUT NOTICE AND WITHOUT OBLIGATION. SHOULD BE CONTACTED FOR THE LATEST REVISION.</small>		DWN: R. GRZYBOWSKI CHK: P. D'AMATO APVD: M. PERCHERIE	30 JAN 2009 30 JAN 2009 30 JAN 2009	Tyco Electronics Harrisburg, PA 17105-3608
DIMENSIONS: mm 	TOLERANCES UNLESS OTHERWISE SPECIFIED: 9 PLG ±.5 7 PLG ±.25 5 PLG ±.25 4 PLG ±.25 ANGLES ±.2	NAME: SOCKET CONNECTOR, SMT P2-S24-P8 MINI CROWN EDGE	SIZE: A CAGE CODE: 100779 DRAWING NO: C-2085133	RESTRICTED TO: -
MATERIAL:	FINISH:	WEIGHT:	SCALE: 5:1	SHEET 4 OF 4
CUSTOMER DRAWING		REV A		