



Chipsmall Limited consists of a professional team with an average of over 10 year of expertise in the distribution of electronic components. Based in Hongkong, we have already established firm and mutual-benefit business relationships with customers from,Europe,America and south Asia,supplying obsolete and hard-to-find components to meet their specific needs.

With the principle of “Quality Parts,Customers Priority,Honest Operation,and Considerate Service”,our business mainly focus on the distribution of electronic components. Line cards we deal with include Microchip,ALPS,ROHM,Xilinx,Pulse,ON,Everlight and Freescale. Main products comprise IC,Modules,Potentiometer,IC Socket,Relay,Connector.Our parts cover such applications as commercial,industrial, and automotives areas.

We are looking forward to setting up business relationship with you and hope to provide you with the best service and solution. Let us make a better world for our industry!



Contact us

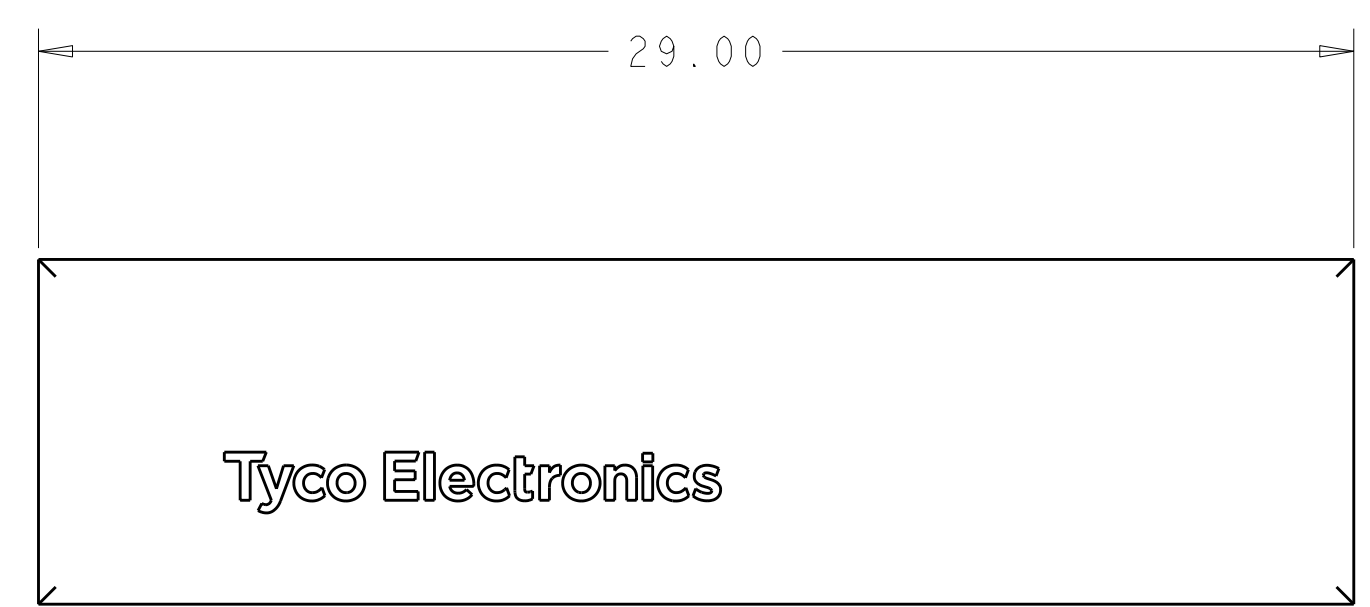
Tel: +86-755-8981 8866 Fax: +86-755-8427 6832

Email & Skype: info@chipsmall.com Web: www.chipsmall.com

Address: A1208, Overseas Decoration Building, #122 Zhenhua RD., Futian, Shenzhen, China



LOC	DIST	REVISIONS			
GP	00	REV	DATE	BY	APP'D
		A	10MAR2009	GIP	GRD
		B	23JUN2010	RG	DO
		C	04MAR2011	RG	DO



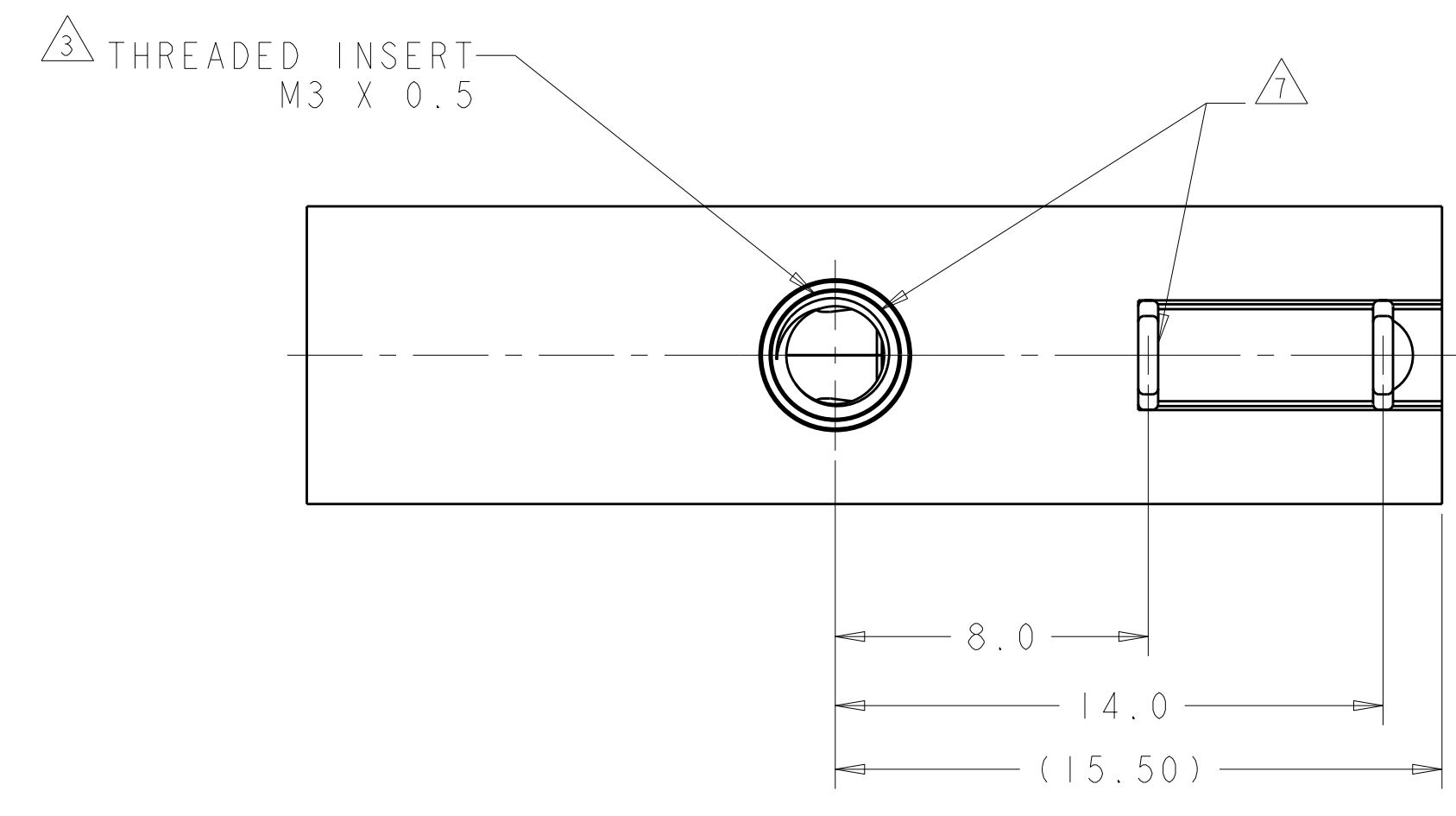
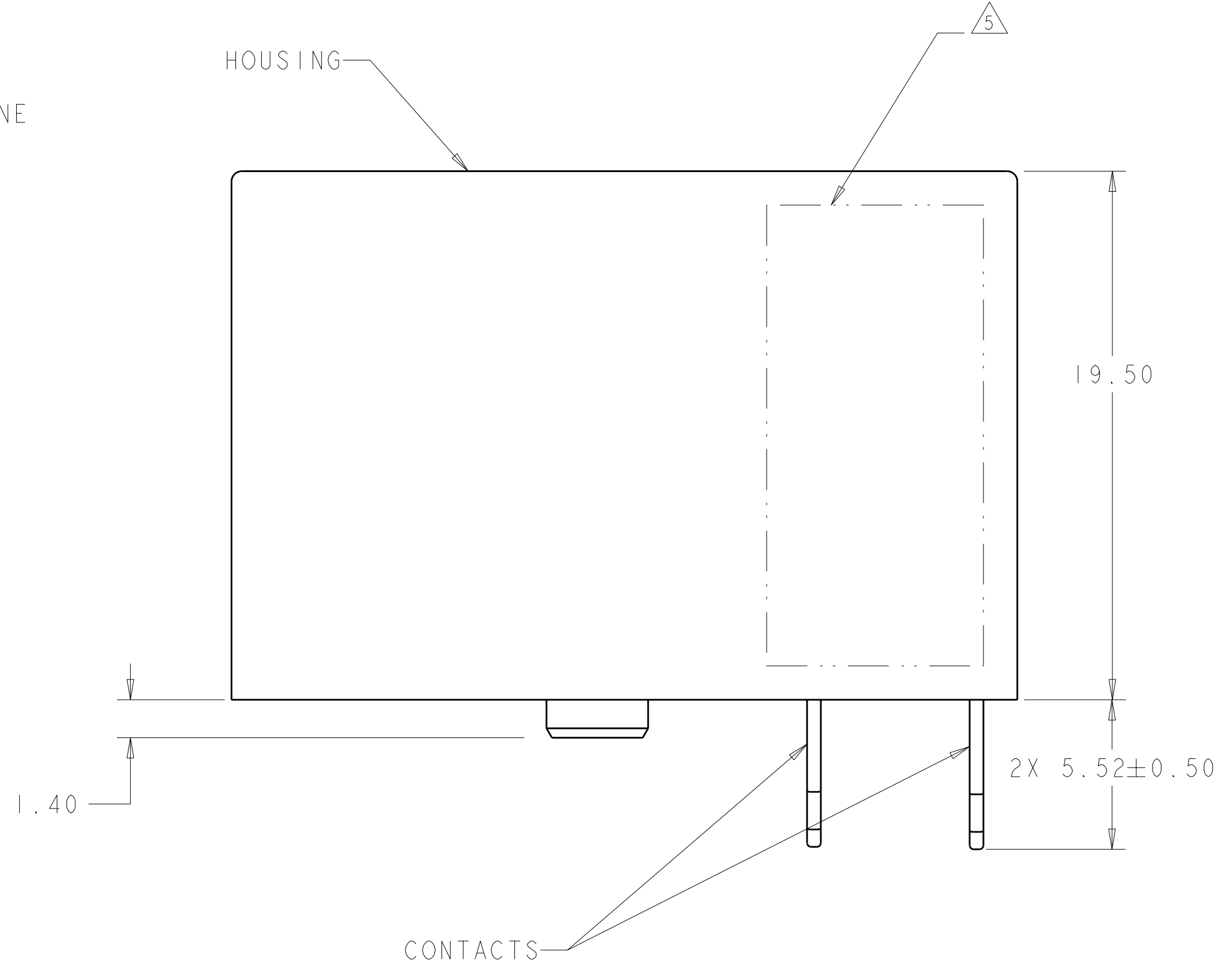
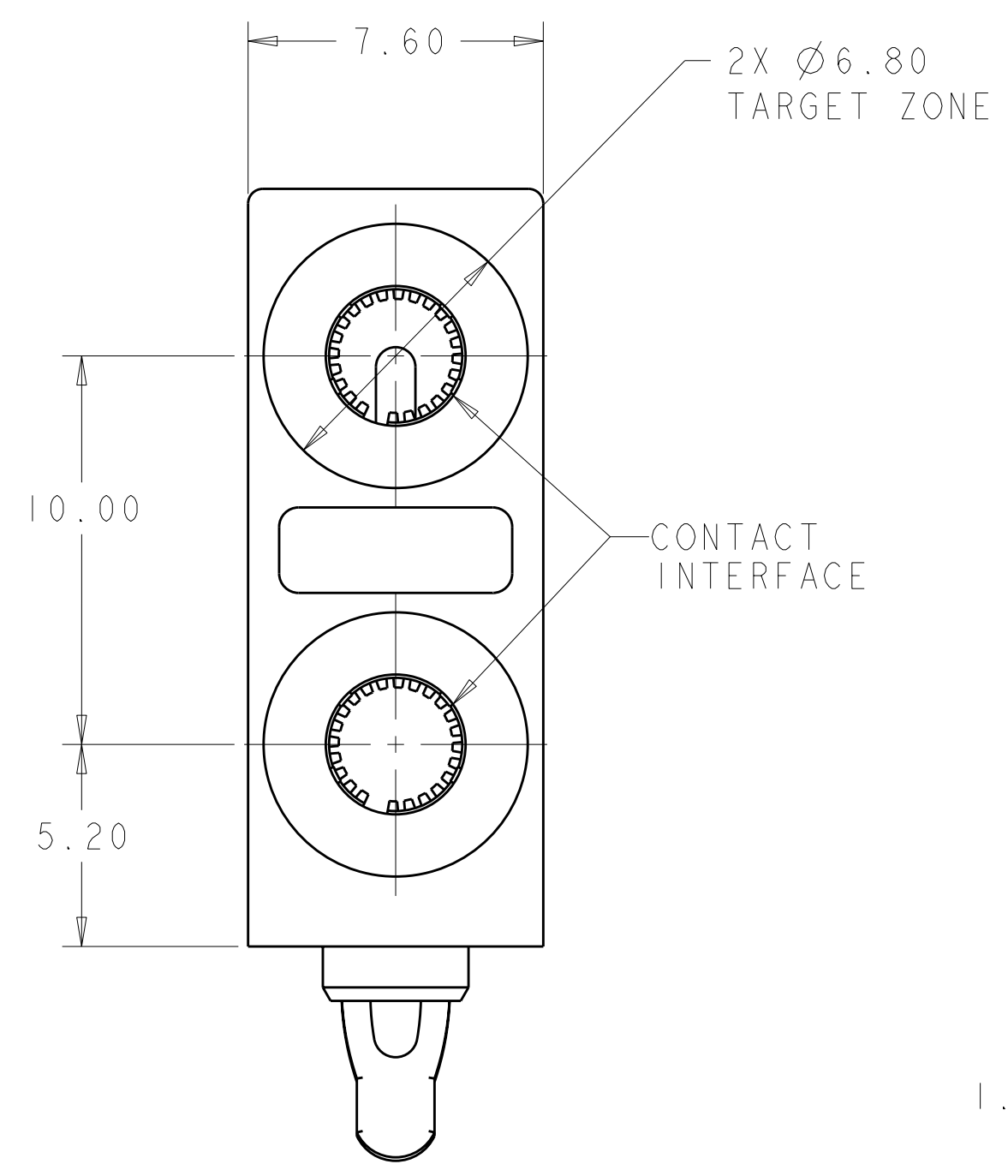
1 MATERIALS:
 HOUSING: POLYESTER PBT THERMOPLASTIC, UL 94 V-0
 CONTACT: COPPER ALLOY
 CONTACT INTERFACE: COPPER ALLOY
 INSERT: COPPER ALLOY

2 FINISH:
 HOUSING: BLACK
 CONTACT: SILVER PLATE, 5.08µm MIN THICK, OVER NICKEL UNDERPLATE
 CONTACT INTERFACE: GOLD PLATE, 0.76µm MIN THICK, OVER NICKEL UNDERPLATE
 INSERT: NONE

3

RECOMMENDED M3 SCREW LENGTH	
PCB THICKNESS	SCREW LGTH.
1.57mm [0.062"]	3.00mm
2.36mm [0.093"]	4.00mm
3.18mm [0.125"]	5.00mm

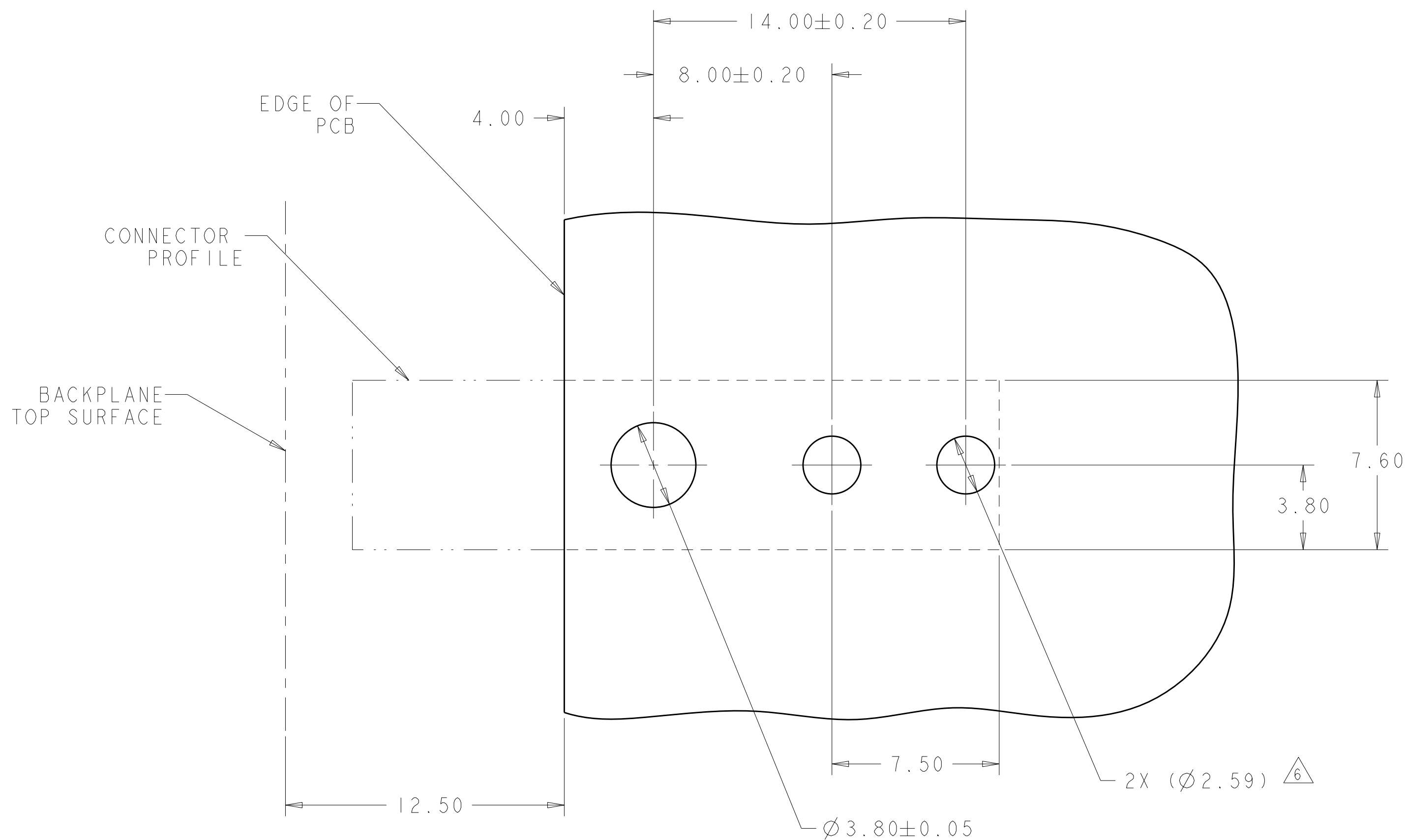
4. THIS PRODUCT HAS NOT BEEN VALIDATION TESTED.
- 5 PART NUMBER AND DATE CODE LABEL TO BE LOCATED APPROXIMATELY AS SHOWN.
- 6 MANUFACTURING TOLERANCE:
 FINISHED HOLE: $\varnothing 2.59 \pm 0.05$
 DRILLED HOLE $\varnothing 2.687 \pm 0.020$
 COPPER PLATING: 0.050 - 0.025
 TIN-LEAD PLATING: 0.015 - 0.004
- 7 THREADED INSERT & LOWER CONTACT MAY BE ELECTRICALLY COMMON.



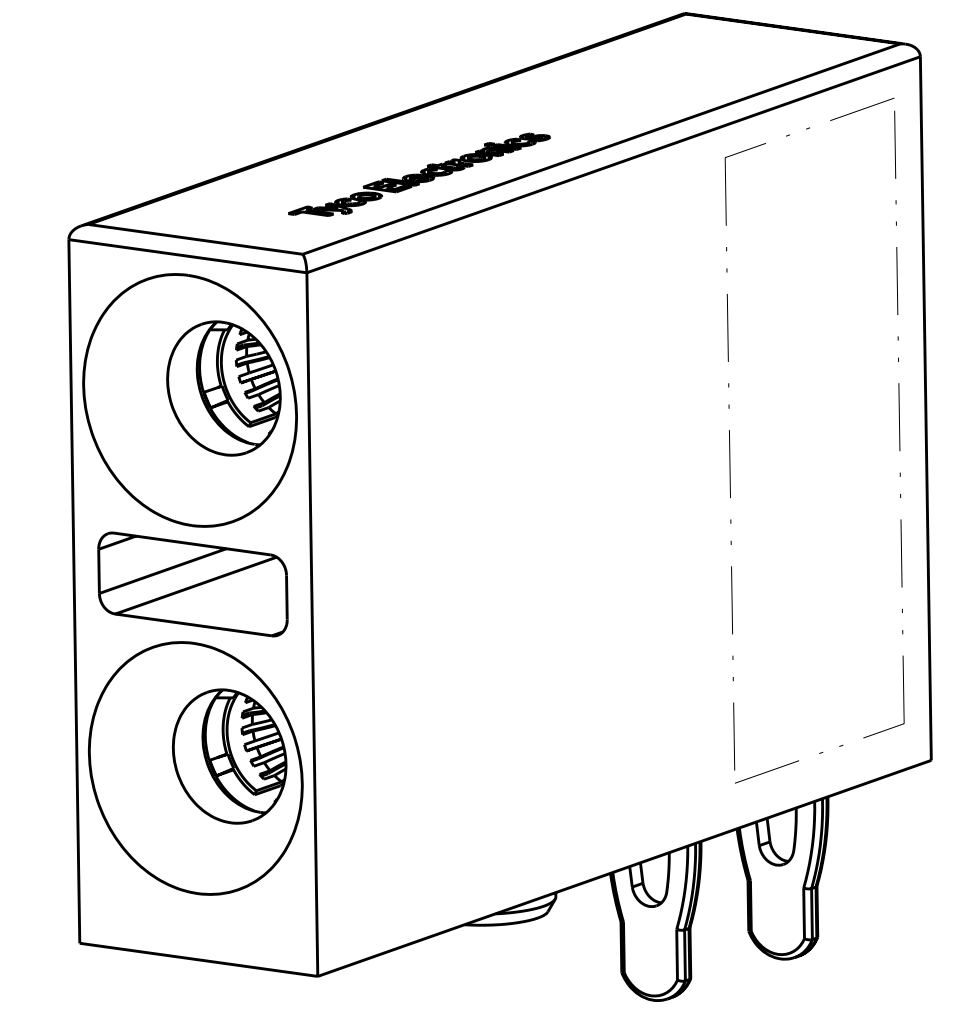
2085181-1
 PRODUCT NUMBER

DIMENSIONS: mm TOLERANCES UNLESS OTHERWISE SPECIFIED: 9 PLC ±.5 2 PLC ±0.5 5 PLC ±.35 4 PLC ±. ANGLES ±1°		DWN: S. PETERS 10MAR2009 CHK: D. DEBRAUGH 10MAR2009 APVD: D. DEBRAUGH 10MAR2009	Tyco Electronics Harrisburg, PA 17105-3608
MATERIAL: FINISH:	PRODUCT SPEC: APPLICATION SPEC: WEIGHT: - CUSTOMER DRAWING	NAME: 2 POSITION, RIGHT ANGLE, 3.17mm DIAMETER, SOCKET ASSEMBLY SIZE: A CAGE CODE: C=2085181 DRAWING NO: 100779 SCALE: 1:1 SHEET: 1 OF 2 REV: C	RESTRICTED TO: -

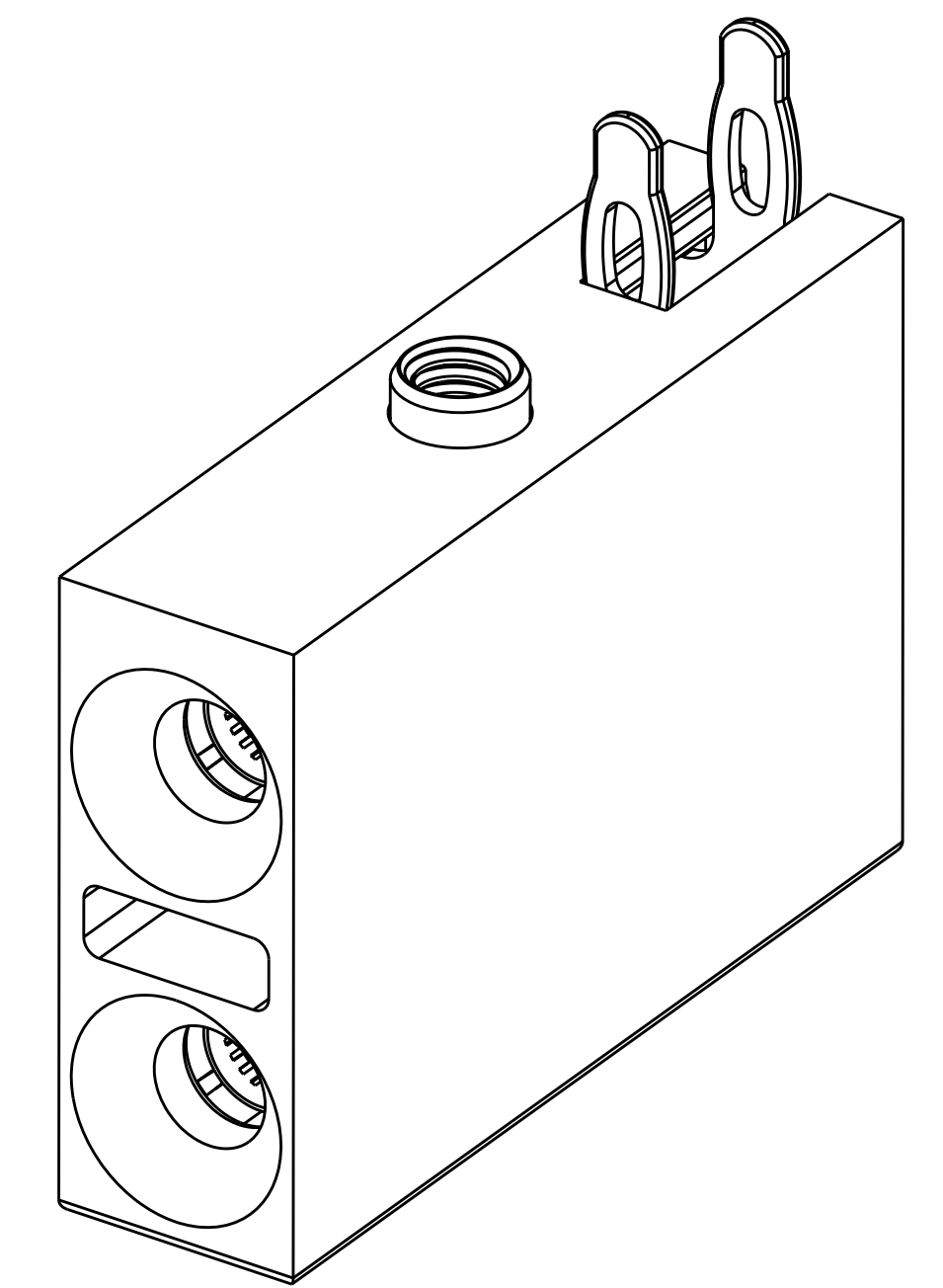
LOC	DIST	REVISIONS			
P	LTR	DESCRIPTION	DATE	DWN	APVD
GP	00	SEE SHEET 1			



RECOMMENDED PRINTED CIRCUIT BOARD LAYOUT
 (AS VIEWED FROM COMPONENT SIDE)
 MINIMUM PCB THICKNESS $1.57 \triangle 3$



ISOMETRIC FRONT VIEW



ISOMETRIC BOTTOM VIEW

P/N: 2085181-1

<small>THIS DRAWING IS UNPUBLISHED. RELEASED FOR PUBLICATION. THIS DRAWING IS THE PROPERTY OF TYCO ELECTRONICS CORPORATION. IT IS SUBJECT TO CHANGE WITHOUT NOTICE AND WITHOUT OBLIGATION. SHOULD BE CONTACTED FOR THE LATEST REVISION.</small>		DWN: S. PETERS CHK: D. DEEIRAUGH APVD: D. DEEIRAUGH	DATE: 10MAR2009 DATE: 10MAR2009 DATE: 10MAR2009	Tyco Electronics Harrisburg, PA 17105-3608
DIMENSIONS: mm 	TOLERANCES UNLESS OTHERWISE SPECIFIED: 9 PLC ± 1 PLC ±0.5 5 PLC ±0.35 4 PLC ± ANGLES ± FINISH ±1*	NAME: 2 POSITION, RIGHT ANGLE, 3.17mm DIAMETER, SOCKET ASSEMBLY PRODUCT SPEC: APPLICATION SPEC: WEIGHT: CUSTOMER DRAWING	SIZE: A CAGE CODE: 100779 DRAWING NO: C-2085181 SCALE: 1:1 SHEET: 2 OF 2 REV: C	RESTRICTED TO: