



Chipsmall Limited consists of a professional team with an average of over 10 year of expertise in the distribution of electronic components. Based in Hongkong, we have already established firm and mutual-benefit business relationships with customers from,Europe,America and south Asia,supplying obsolete and hard-to-find components to meet their specific needs.

With the principle of “Quality Parts,Customers Priority,Honest Operation,and Considerate Service”,our business mainly focus on the distribution of electronic components. Line cards we deal with include Microchip,ALPS,ROHM,Xilinx,Pulse,ON,Everlight and Freescale. Main products comprise IC,Modules,Potentiometer,IC Socket,Relay,Connector.Our parts cover such applications as commercial,industrial, and automotives areas.

We are looking forward to setting up business relationship with you and hope to provide you with the best service and solution. Let us make a better world for our industry!



Contact us

Tel: +86-755-8981 8866 Fax: +86-755-8427 6832

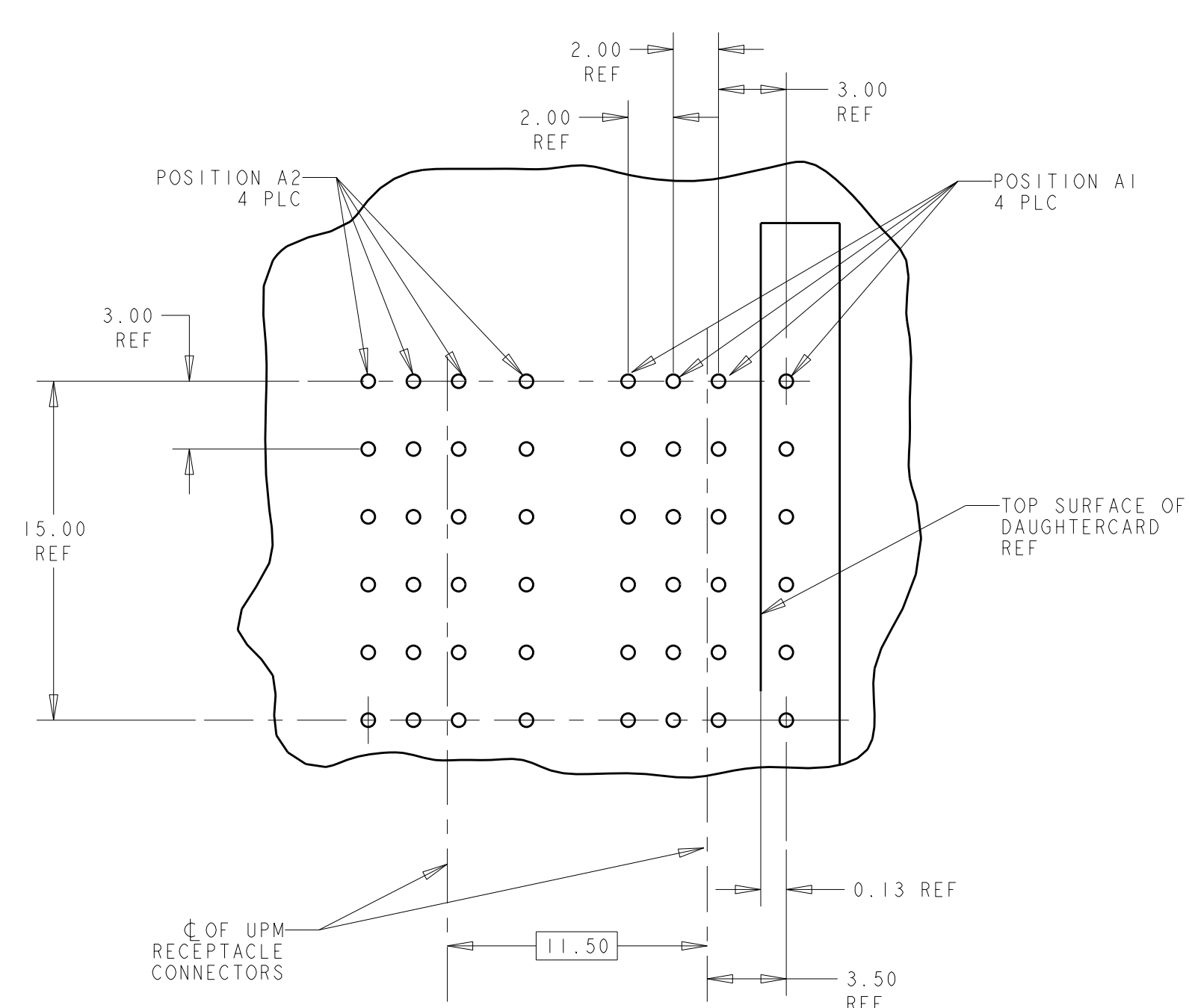
Email & Skype: info@chipsmall.com Web: www.chipsmall.com

Address: A1208, Overseas Decoration Building, #122 Zhenhua RD., Futian, Shenzhen, China

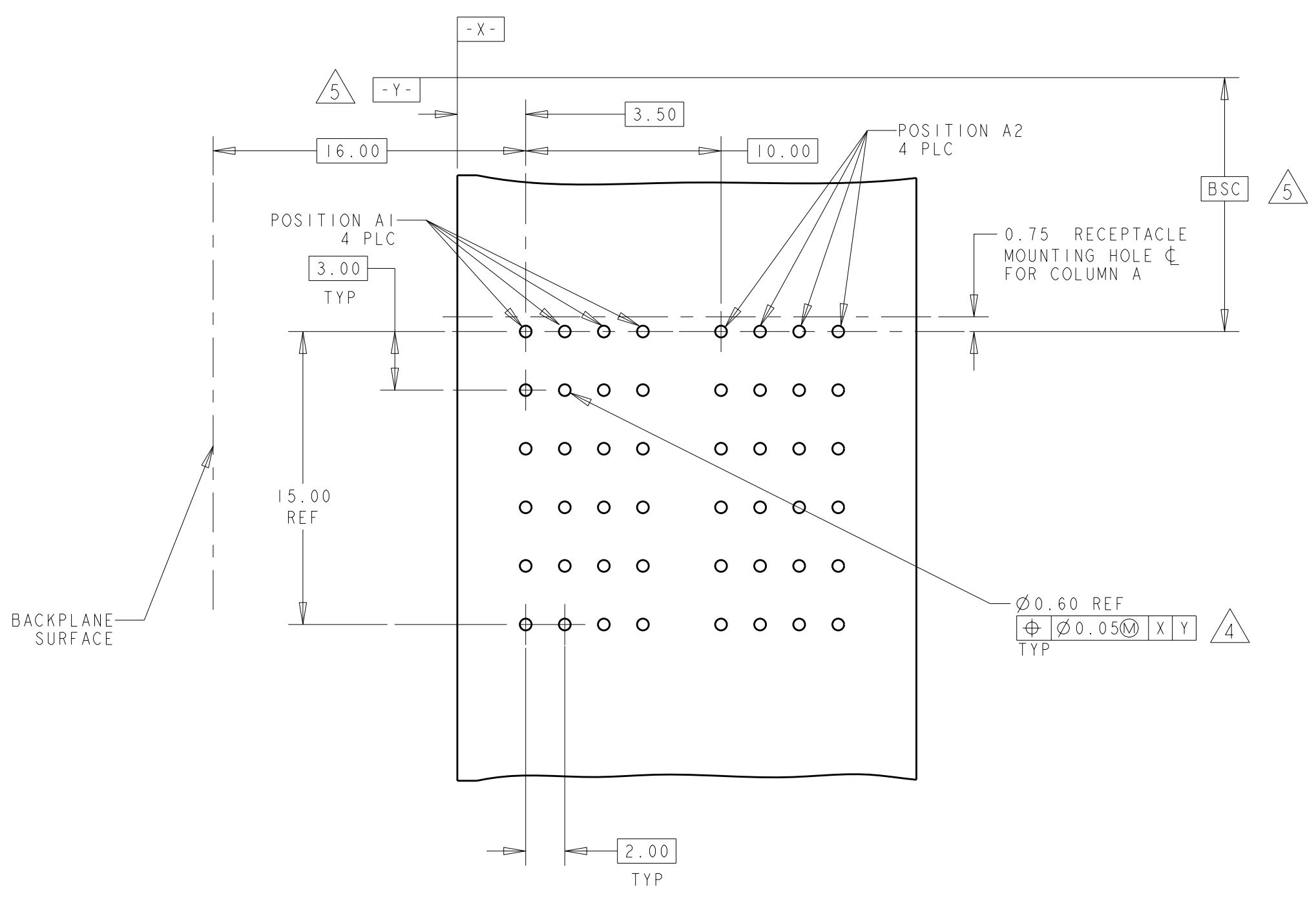
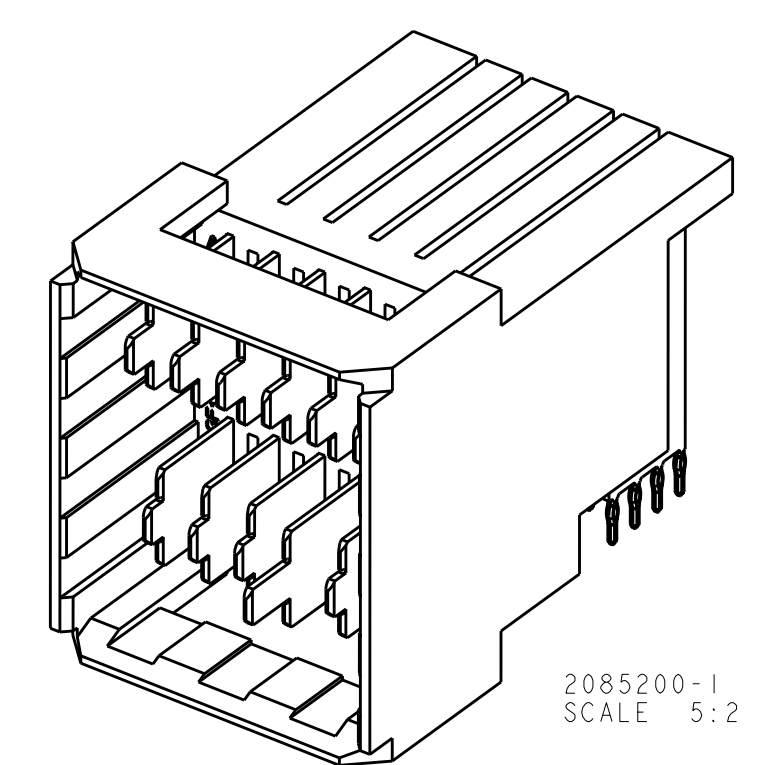
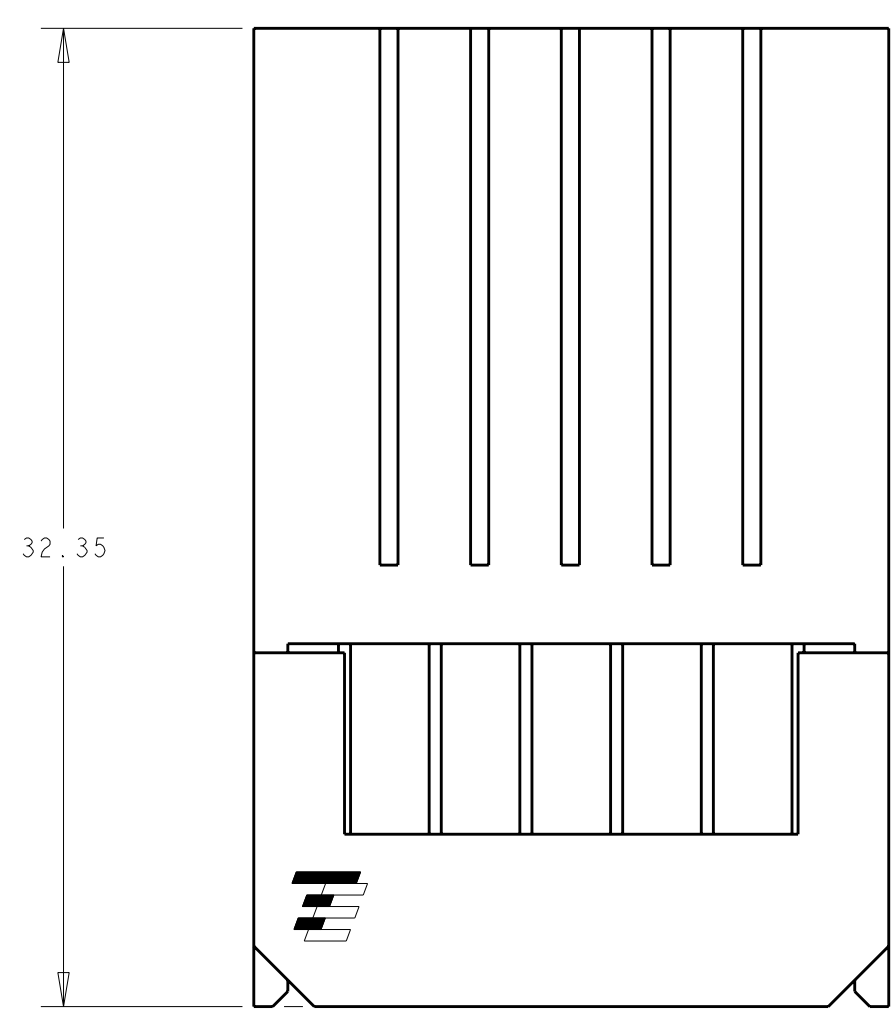


LOC	DIST	REVISIONS			
GP	00	REV	DATE	DWN	APVD
		A	RELEASED PER ECO-09-014682	24JUN2009	RG MS

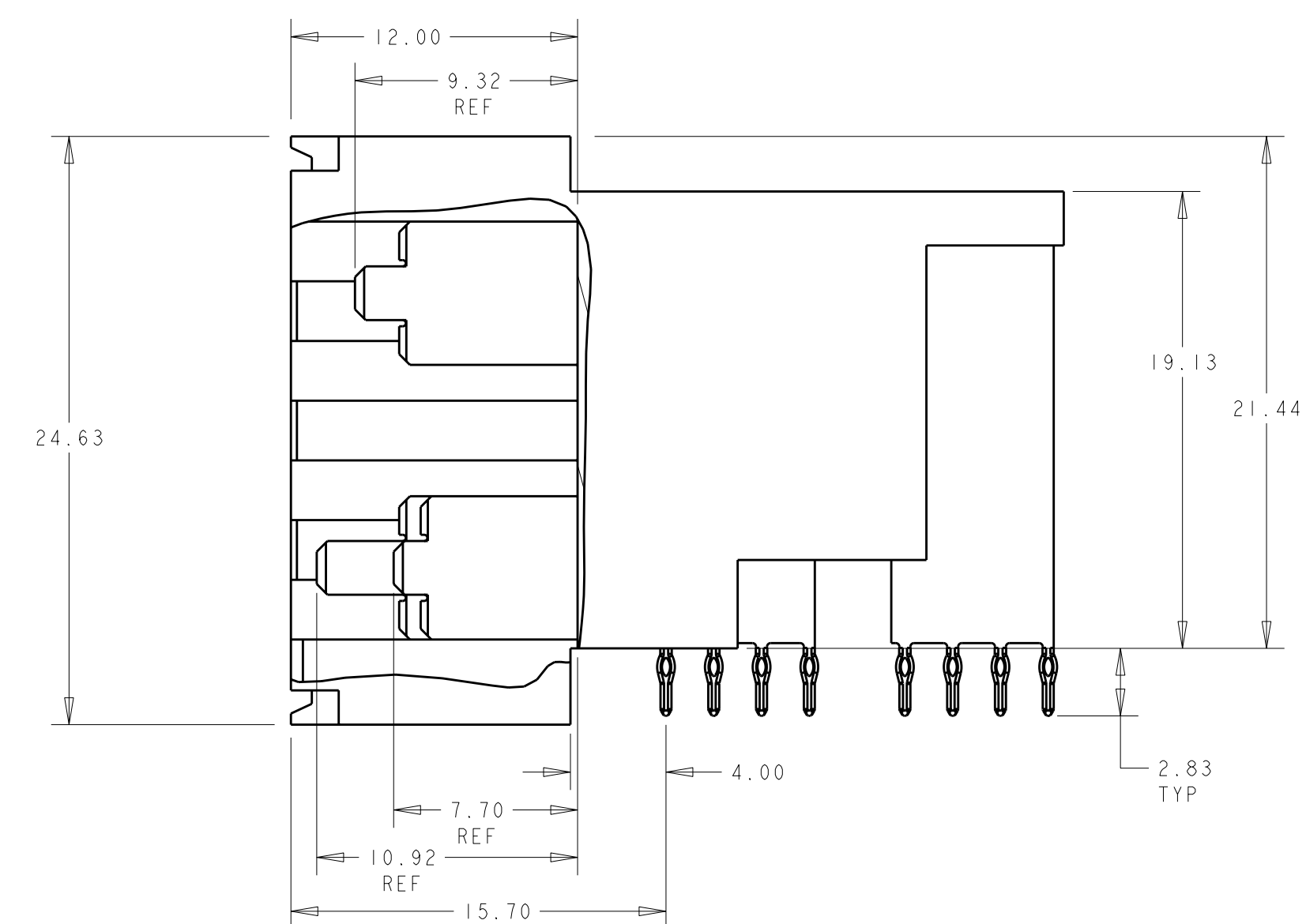
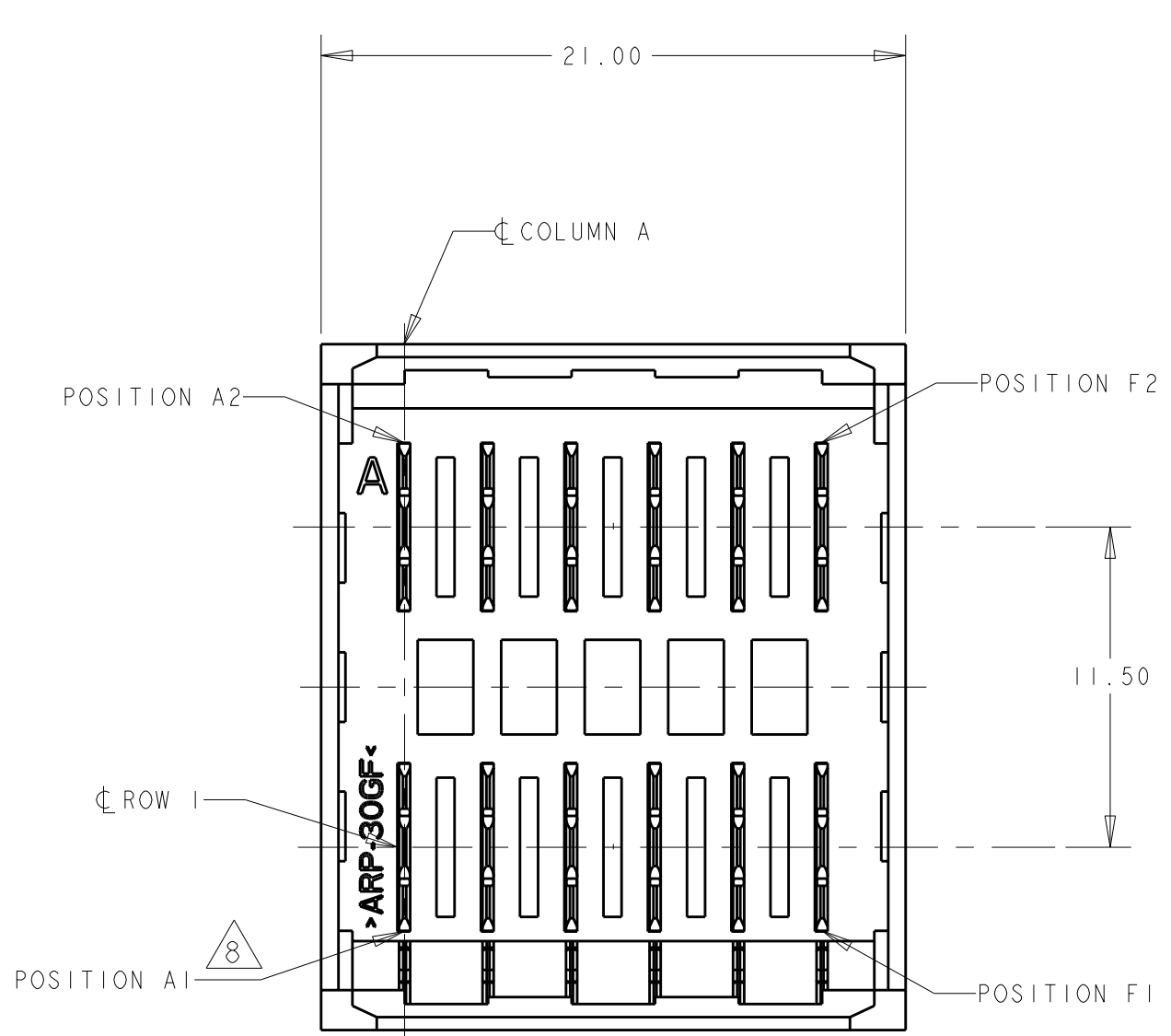
- 1 MATERIAL: HOUSING: POLYESTER. COLOR: BLACK, UL 94 V-0
CONTACT: COPPER ALLOY.
- 2 FINISH: CONTACT MATING AREA: 0.00076 mm MIN GOLD PLATE OVER 0.00127 mm MIN NICKEL, OR 0.0005 mm MIN GOLD OVER 0.00064 mm PALLADIUM-NICKEL OVER 0.00127 mm MIN NICKEL.
COMPLIANT TAIL AREA: 0.0005 mm MIN MATTE TIN PLATE OVER 0.00127 mm NICKEL UNDERPLATE.
- 3 TAILS OF MATING UPM STYLE RECEPTACLE ARE OFFSET BY .75 mm FROM TAILS OF THIS CONNECTOR. SEE CUSTOMER DRAWING 120992 FOR RECEPTACLE EXAMPLE. SEE APPLICATION SPEC 114-1103 FOR MORE DETAILED DESCRIPTION OF THE TAIL OFFSETS.
- 4 PC BOARD HOLE SPECIFICATIONS:
 DRILLED HOLE SIZE: 0.700±0.02 mm
 FINISHED HOLE SIZE: 0.60±0.05 mm
 PLATING THICKNESS:
 0.025 - 0.050 mm COPPER
 0.004 - 0.010 mm HASL TIN/LEAD
 0.0005 mm MIN IMMERSION TIN
 0.0002 - 0.0005 mm OSP
 0.0001mm MIN IMMERSION SILVER
 0.0001-0.0005 mm IMMERSION GOLD OVER 0.004-0.005 mm NICKEL
- 5 DATUM AND BASIC DIMENSIONS ESTABLISHED BY CUSTOMER.
- 6 MINIMUM REQUIRED PC BOARD THICKNESS IS 1.44mm.
- 7 CONTACT AREA LUBRICATED WITH BELLCORE APPROVED LUBRICANT. TECHNICAL REFERENCE GR-1217-CORE, ISSUE 1 NOVEMBER 1995.
- 8 POSITION A1 IS AT MATERIAL ID.



MATING RECEPTACLE PCB LAYOUT



RECOMMENDED PCB LAYOUT



DIMENSIONS:		TOLERANCES UNLESS OTHERWISE SPECIFIED:		MATERIAL:		FINISH:	
mm	9 PLC	±	0.25	1	2		
	5 PLC	±	0.25				
	4 PLC	±	0.25				
	ANGLES	±	1°				

DJ	A2,B2,C2,D2,E2,F2	A1,B1,C1,E1,F1	2085200-3
POSITIONS LOADED WITH LONG 10.92 REF CONTACTS	POSITIONS LOADED WITH MIDDLE 9.32 REF CONTACTS	POSITIONS LOADED WITH SHORT 7.70 REF CONTACTS	PART NO

DATE	BY	CHKD	APPVD	NAME	SCALE	CAGE CODE	DRAWING NO	RESTRICTED TO
30MAR2009	R. GRZYBOWSKI	R. LONDON	M. PERCHERIE	ASSEMBLY, RIGHT ANGLE CONNECTOR MINIPAK HDE 2X6 POSITION	3:1	A1100779	C=2085200	

AMP 4805 REV 31MAR2000
 PLS/ENGINEER DRAWING

