



Chipsmall Limited consists of a professional team with an average of over 10 year of expertise in the distribution of electronic components. Based in Hongkong, we have already established firm and mutual-benefit business relationships with customers from,Europe,America and south Asia,supplying obsolete and hard-to-find components to meet their specific needs.

With the principle of "Quality Parts,Customers Priority,Honest Operation,and Considerate Service",our business mainly focus on the distribution of electronic components. Line cards we deal with include Microchip,ALPS,ROHM,Xilinx,Pulse,ON,Everlight and Freescale. Main products comprise IC,Modules,Potentiometer,IC Socket,Relay,Connector.Our parts cover such applications as commercial,industrial, and automotives areas.

We are looking forward to setting up business relationship with you and hope to provide you with the best service and solution. Let us make a better world for our industry!



Contact us

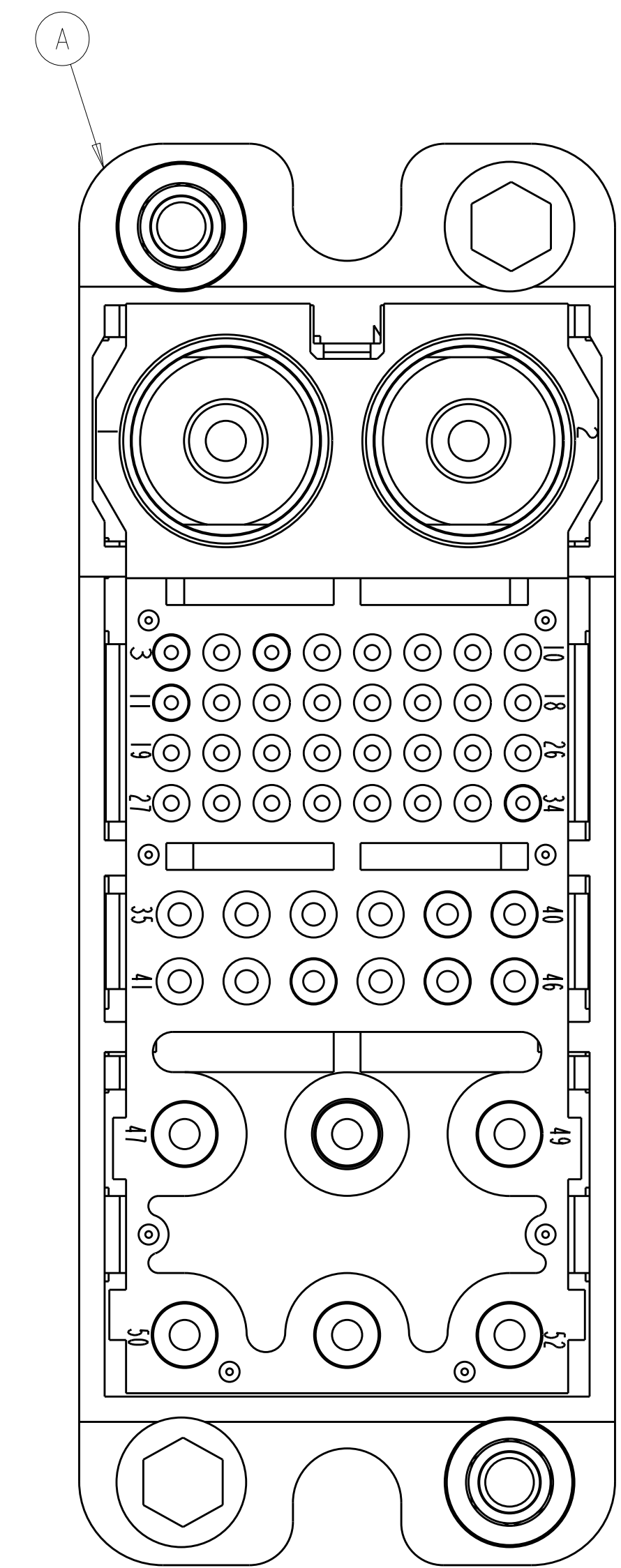
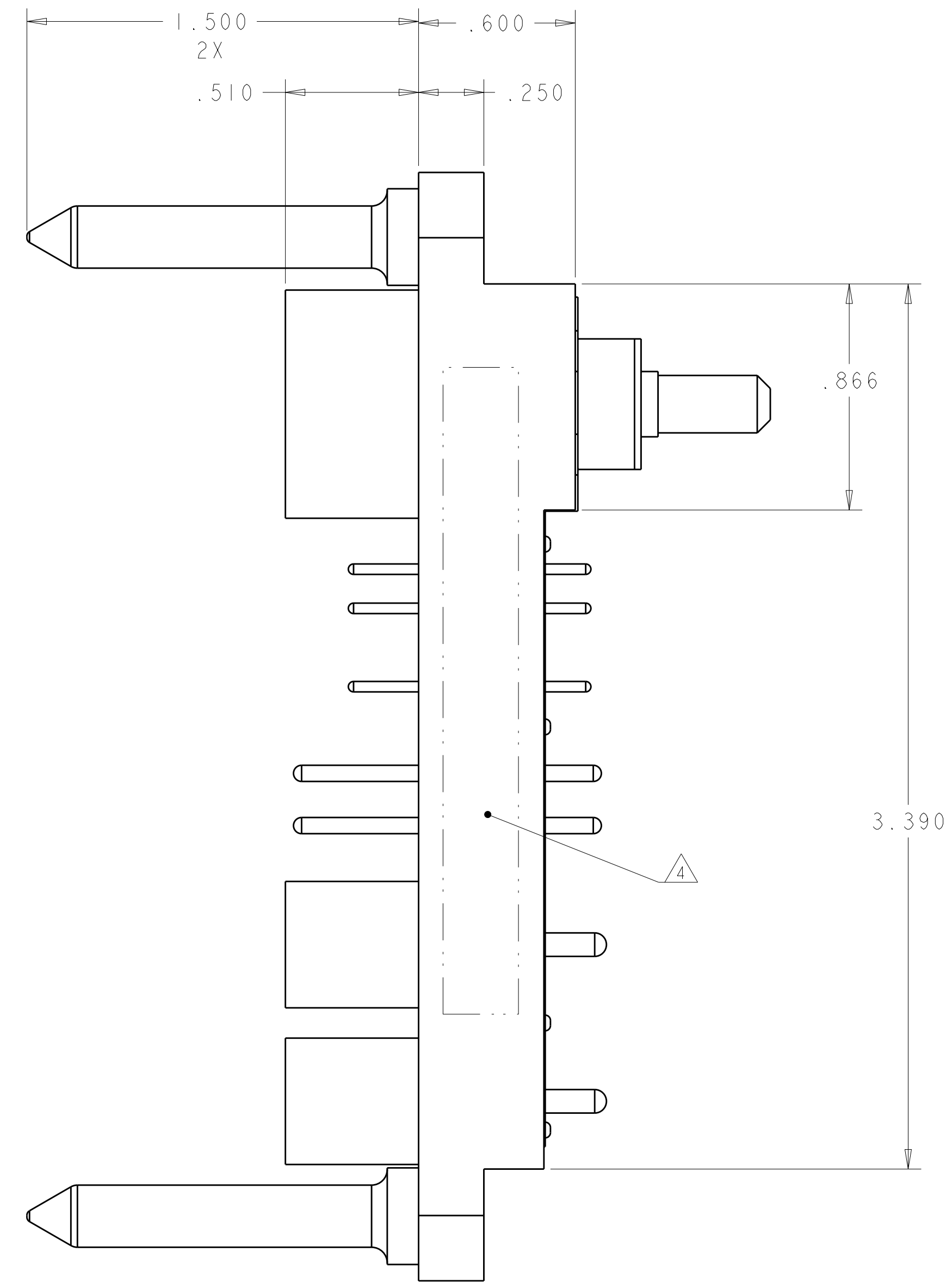
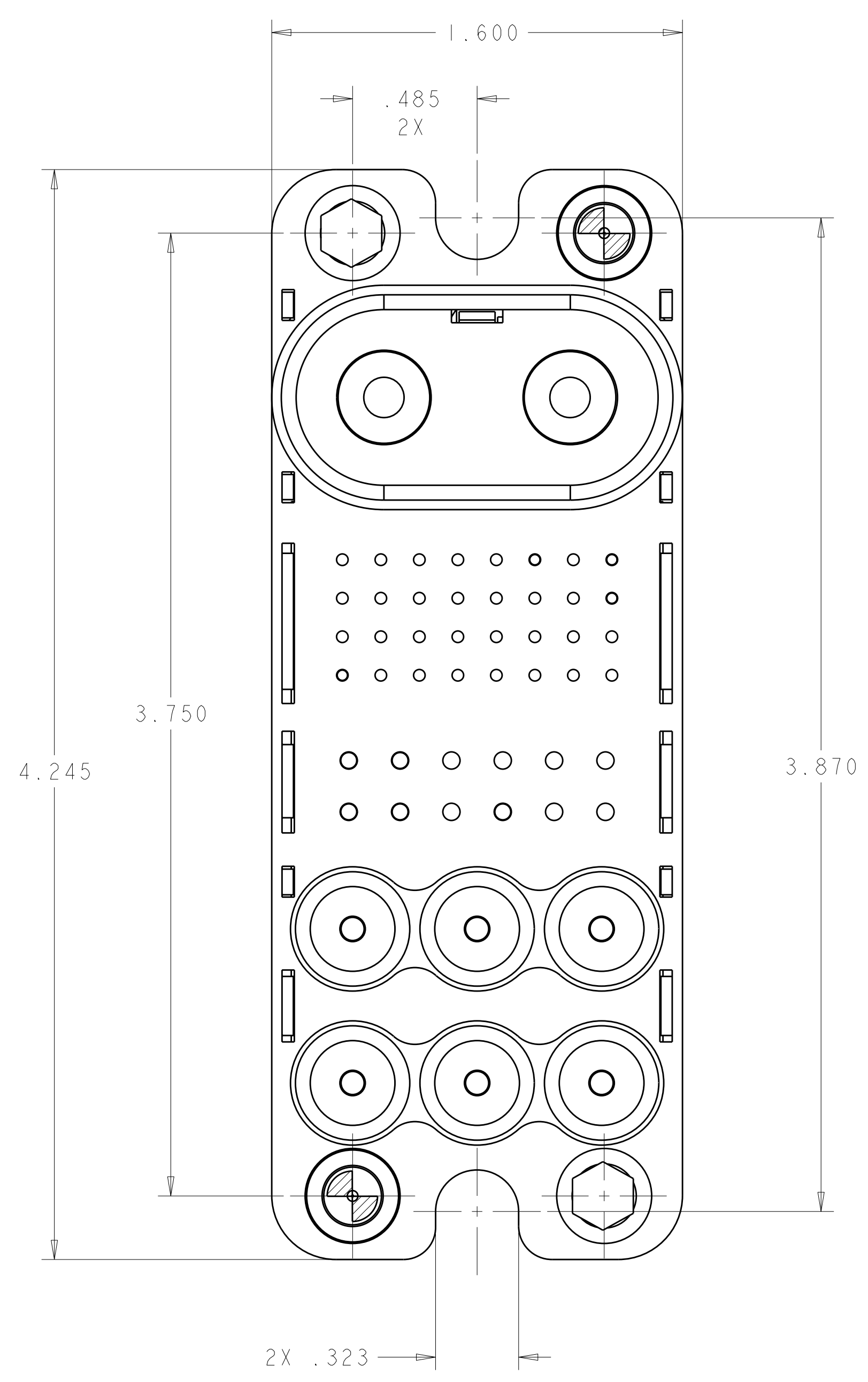
Tel: +86-755-8981 8866 Fax: +86-755-8427 6832

Email & Skype: info@chipsmall.com Web: www.chipsmall.com

Address: A1208, Overseas Decoration Building, #122 Zhenhua RD., Futian, Shenzhen, China



LOC	DIST	REVISIONS			
P	LTR	DESCRIPTION	DATE	DWN	APVD
A		RELEASED	21SEP2009	RG	DO
B		REV PER ECO-11-008226	25APR2011	RG	DO



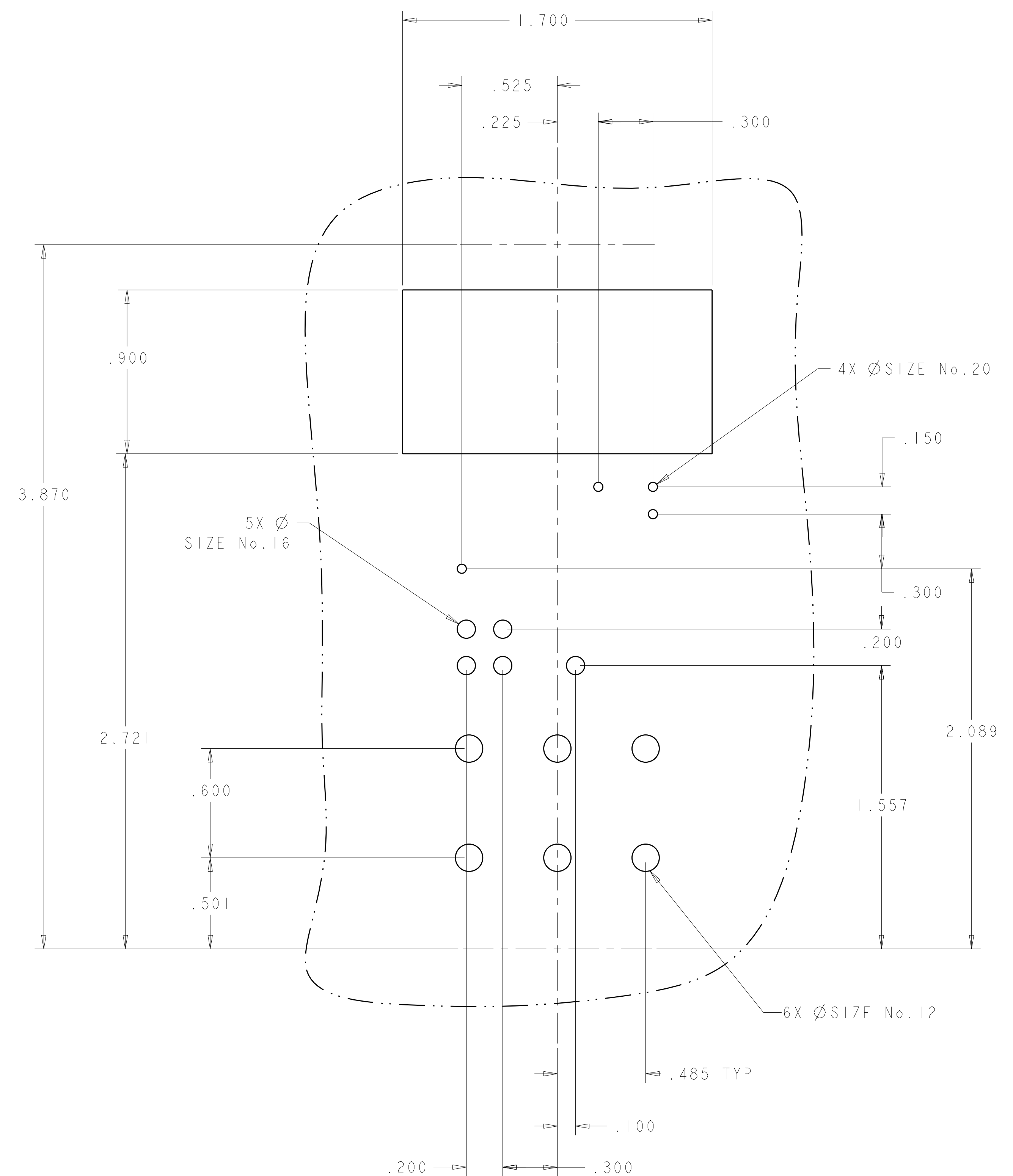
- PIN CONTACT (B) Δ
SIZE #0
- PIN CONTACT (C) Δ
SIZE #20
- PIN CONTACT (D) Δ
SIZE #16
- PIN CONTACT (E) Δ
SIZE #12

REV	DESCRIPTION	DATE	BY	CHKD	APVD
6	CONTACT, PIN, #12, STANDARD, PCB TAIL				
5	CONTACT, PIN, #16, PREMATE, PCB TAIL				
4	CONTACT, PIN, #20, POST MATE, PCB TAIL				
2	CONTACT, PIN, #0, 1/4-20 THD				
1	CONNECTOR, PIN W/GUIDE PINS				
-1	PART NUMBER				

ELCON TOP DRAWER

DIMENSIONS: INCHES 		TOLERANCES UNLESS OTHERWISE SPECIFIED: 9 PLC ± 1 PLC ±.25 2 PLC ±.010 3 PLC ± 4 PLC ± ANGLES ±.5		DWN: R. GRZYBOWSKI CHK: D. ORRIS APVD: M. PERCHERKE DATE: 10SEP2009 NAME: M. PERCHERKE		Tyco Electronics Harrisburg, PA 17105-3608	
MATERIAL: - FINISH: -		WEIGHT: - CUSTOMER DRAWING		PRODUCT SPEC: 108-2285 APPLICATION SPEC: 114-13206		PIN CONNECTOR ASSEMBLY SOLDER TAIL TOP DRAWER	
SCALE: 3:1		SHEET: 1 OF 2		REV: B		RESTRICTED TO: -	

LOC	DIST	REVISIONS					
GP	00	P	LTR	DESCRIPTION	DATE	DWN	APVD
		-	-	SEE SHEET 1	-	-	-



- PART NUMBER CHANGES AND OR DESIGN CHANGES AFFECTING THE INTERCHANGEABILITY REQUIRE PRIOR TYCO ELECTRONICS APPROVAL AND AUTHORIZATION BY REVISION TO THIS DRAWING.
- MATERIAL:
 INSULATOR: THERMOPLASTIC, GLASS REINFORCED, UL 94V-0
 FLAMMABILITY RATED, COLOR: BLACK
 PIN CONTACT SIZE No. 0 : COPPER ALLOY
 PIN CONTACT SIZE No. 12, 16 & 20 : BRASS ALLOY
 RETENTION CLIP: BERYLLIUM COPPER OR STAINLESS STEEL
 GUIDE PIN: STAINLESS STEEL
- FINISH:
 PIN CONTACTS SIZE #0, #16 & #12: SILVER PLATE .000200 MIN THK.
 OVER NICKEL .000040 MIN THK.
 PIN CONTACTS SIZE #20: GOLD PLATE .000030 MIN THK.
 OVER NICKEL .000040 MIN THK.

△ ITEMS PROVIDED TO THIS SPECIFICATION TO BE PERMANENTLY IDENTIFIED PER THE FOLLOWING IDENTIFIER:

YEAR 1 WEEK 1

TYCO ELECTRONICS P/N: XXXXXX-X DATE CODE (e.g. 0216): XXXX

- △ SOLDER TAIL CONTACTS (ITEMS C THRU D) ARE INSERTABLE/NON-REMOVABLE
 SIZE No. 0 (ITEM B) LOADED IN POSN. 1 AND 2
 SIZE No. 20 (ITEM C) LOADED IN POSN. 3, 5, 11 AND 34
 SIZE No. 16 (ITEM D) LOADED IN POSN. 39, 40, 43, 45 AND 46
 SIZE No. 12 (ITEM E) LOADED IN POSN. 47 THRU 52
- Symbol indicates location of guide pins.

SUGGESTED PC BOARD LAYOUT
 VIEW FROM CONNECTOR MOUNTING SIDE

HOLE SIZE #12
 FINISHED HOLE: $\phi .104 \pm .003$
 DRILLED HOLE: $\phi .1065 \pm .0005$
 COPPER PLATE: .0010 MIN
 TIN PLATE: .0002 MIN THK.

HOLE SIZE #16
 FINISHED HOLE: $\phi .072 \pm .003$
 DRILLED HOLE: $\phi .0745 \pm .0005$
 COPPER PLATE: .0010 MIN
 TIN PLATE: .0002 MIN THK.

HOLE SIZE #20
 FINISHED HOLE: $\phi .047 \pm .003$
 DRILLED HOLE: $\phi .0453 \pm .0005$
 COPPER PLATE: .0010 MIN
 TIN PLATE: .0002 MIN THK.

<small>THIS DRAWING IS UNPUBLISHED. RELEASED FOR PUBLICATION BY TYCO ELECTRONICS CORPORATION. ALL RIGHTS RESERVED.</small>		DWN: R. GRZYBOWSKI 10SEP109 CHK: D. ORRIS 10SEP109 APVD: M. PERCHERKE 10SEP109	Tyco Electronics Harrisburg, PA 17105-3608
DIMENSIONS: INCHES TOLERANCES UNLESS OTHERWISE SPECIFIED: 9 PLC ±.010 1 PLC ±.015 2 PLC ±.025 3 PLC ±.010 4 PLC ±.010 ANGLES ±.5	PRODUCT SPEC: 108-2285 APPLICATION SPEC: 114-13206 WEIGHT: - CUSTOMER DRAWING	NAME: PIN CONNECTOR ASSEMBLY SOLDER TAIL TOP DRAWER SIZE: A 00779 C=2085295 SCALE: 3:1 SHEET 2 OF 2 REV B	RESTRICTED TO: -