



Chipsmall Limited consists of a professional team with an average of over 10 year of expertise in the distribution of electronic components. Based in Hongkong, we have already established firm and mutual-benefit business relationships with customers from,Europe,America and south Asia,supplying obsolete and hard-to-find components to meet their specific needs.

With the principle of “Quality Parts,Customers Priority,Honest Operation,and Considerate Service”,our business mainly focus on the distribution of electronic components. Line cards we deal with include Microchip,ALPS,ROHM,Xilinx,Pulse,ON,Everlight and Freescale. Main products comprise IC,Modules,Potentiometer,IC Socket,Relay,Connector.Our parts cover such applications as commercial,industrial, and automotives areas.

We are looking forward to setting up business relationship with you and hope to provide you with the best service and solution. Let us make a better world for our industry!



Contact us

Tel: +86-755-8981 8866 Fax: +86-755-8427 6832

Email & Skype: info@chipsmall.com Web: www.chipsmall.com

Address: A1208, Overseas Decoration Building, #122 Zhenhua RD., Futian, Shenzhen, China



THIS DRAWING IS UNPUBLISHED.

RELEASED FOR PUBLICATION

20

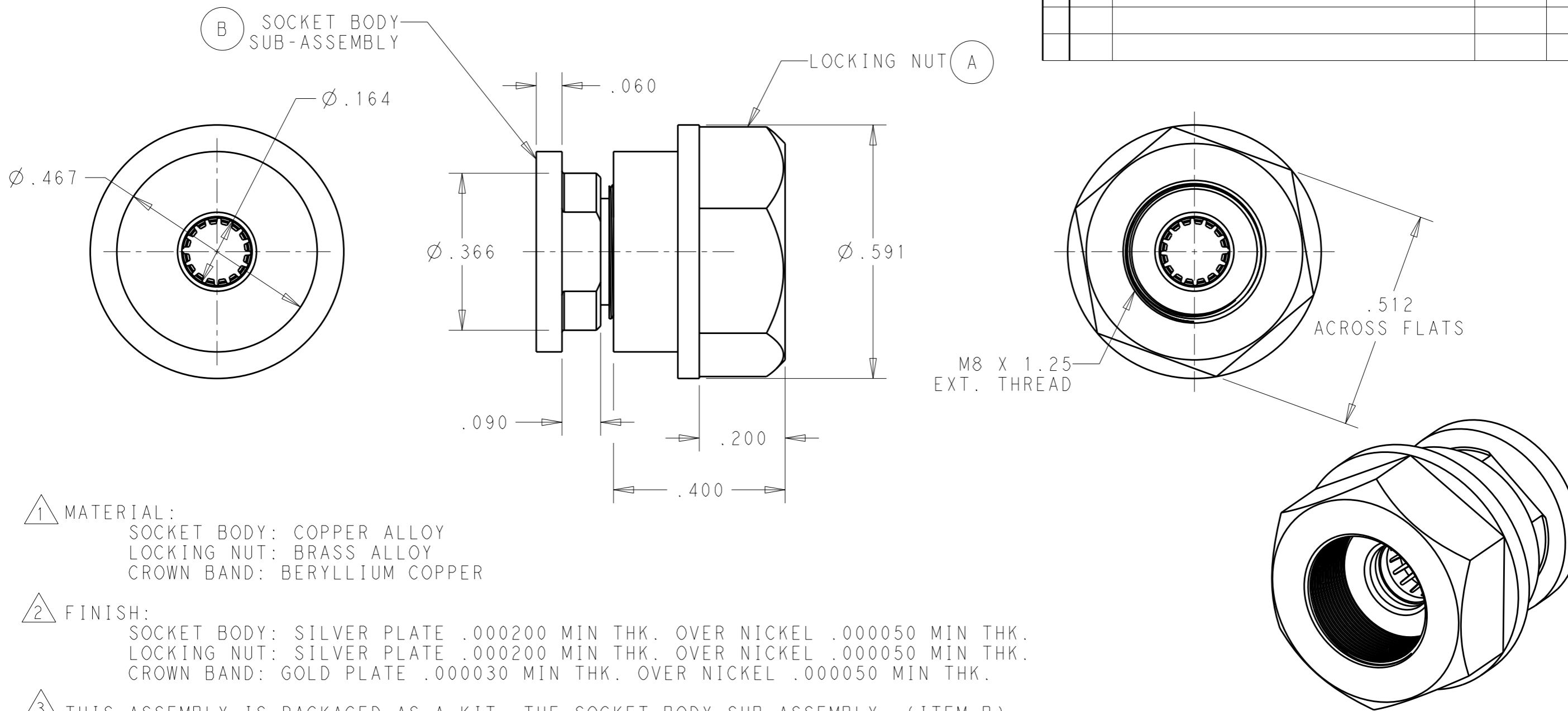
© COPYRIGHT 20

BY TYCO ELECTRONICS CORPORATION. ALL INTERNATIONAL RIGHTS RESERVED.

LOC GP DIST 00

REVISIONS

P	LTR	DESCRIPTION	DATE	DWN	APVD
	B	REV PER ECO-10-018470	10SEP2010	RG	DO



1 MATERIAL:
 SOCKET BODY: COPPER ALLOY
 LOCKING NUT: BRASS ALLOY
 CROWN BAND: BERYLLIUM COPPER

2 FINISH:
 SOCKET BODY: SILVER PLATE .000200 MIN THK. OVER NICKEL .000050 MIN THK.
 LOCKING NUT: SILVER PLATE .000200 MIN THK. OVER NICKEL .000050 MIN THK.
 CROWN BAND: GOLD PLATE .000030 MIN THK. OVER NICKEL .000050 MIN THK.

3 THIS ASSEMBLY IS PACKAGED AS A KIT. THE SOCKET BODY SUB-ASSEMBLY (ITEM B) AND LOCKING NUT (ITEM A) ARE PACKAGED SEPARATELY AND PLACED IN THE BOX TOGETHER.

4. 14 in-lbs MAX TORQUE

3	1	2085459-1	SOCKET BODY ASSY	B
3	1	2085457-1	LOCKING NUT	A
	-1	PART NUMBER	DESCRIPTION	ITEM

<small>THIS DRAWING IS A CONTROLLED DOCUMENT FOR TYCO ELECTRONICS CORPORATION IT IS SUBJECT TO CHANGE AND THE CONTROLLING ENGINEERING ORGANIZATION SHOULD BE CONTACTED FOR THE LATEST REVISION.</small>		DWN R.GRZYBOWSKI 28APR2010 CHK D.ORRIS 28APR2010 APVD M.PERCHERKE 28APR2010 PRODUCT SPEC - APPLICATION SPEC - WEIGHT -		Tyco Electronics Harrisburg, PA 17105-3608	
DIMENSIONS: INCHES 		TOLERANCES UNLESS OTHERWISE SPECIFIED: 0 PLC ±- 1 PLC ±- 2 PLC ±.01 3 PLC ±.005 4 PLC ±- ANGLES ±-		NAME SOCKET ASSEMBLY, CROWN INSERT SIZE No.8 PRINTED CIRCUIT BOARD SOCKET	
MATERIAL -1 FINISH -2		SIZE A3 CAGE CODE 00779 DRAWING NO C-2085460		RESTRICTED TO -	
CUSTOMER DRAWING			SCALE 4:1		SHEET 1 OF 1 REV B