



Chipsmall Limited consists of a professional team with an average of over 10 year of expertise in the distribution of electronic components. Based in Hongkong, we have already established firm and mutual-benefit business relationships with customers from,Europe,America and south Asia,supplying obsolete and hard-to-find components to meet their specific needs.

With the principle of “Quality Parts,Customers Priority,Honest Operation,and Considerate Service”,our business mainly focus on the distribution of electronic components. Line cards we deal with include Microchip,ALPS,ROHM,Xilinx,Pulse,ON,Everlight and Freescale. Main products comprise IC,Modules,Potentiometer,IC Socket,Relay,Connector.Our parts cover such applications as commercial,industrial, and automotives areas.

We are looking forward to setting up business relationship with you and hope to provide you with the best service and solution. Let us make a better world for our industry!



## Contact us

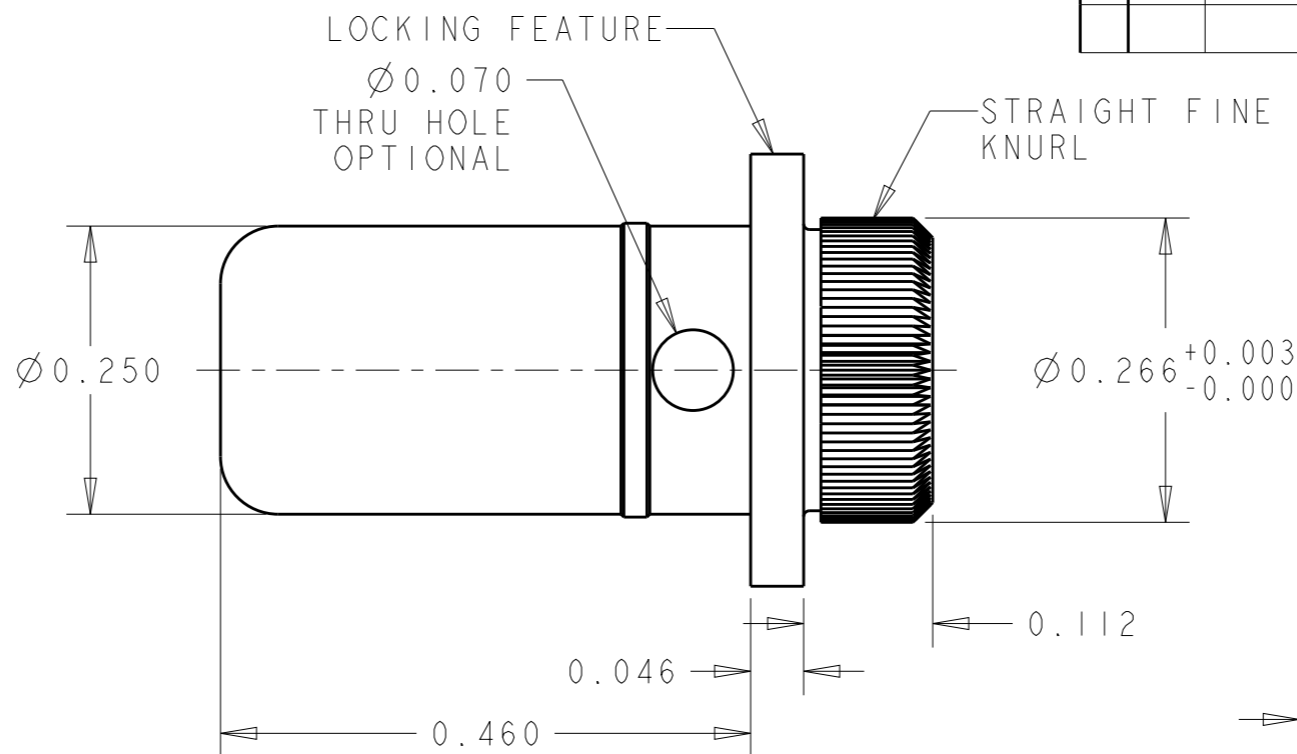
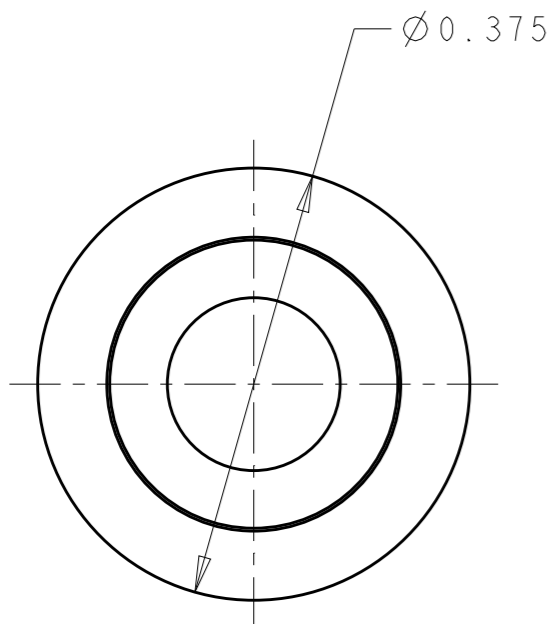
Tel: +86-755-8981 8866 Fax: +86-755-8427 6832

Email & Skype: info@chipsmall.com Web: www.chipsmall.com

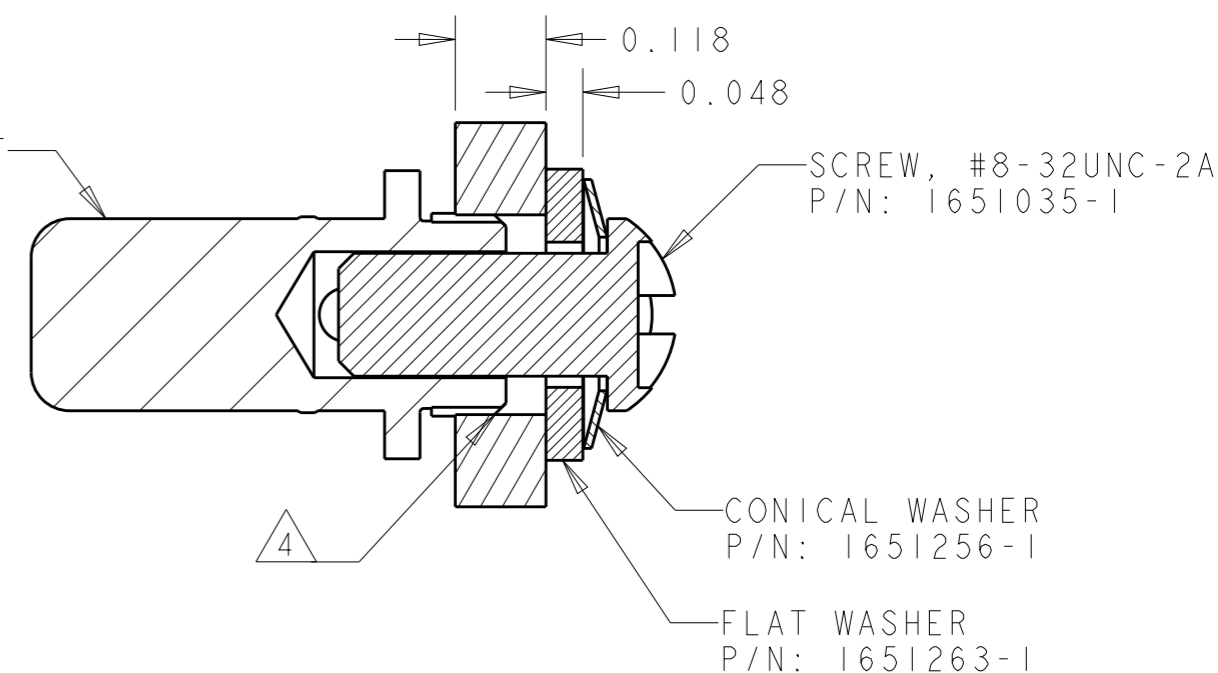
Address: A1208, Overseas Decoration Building, #122 Zhenhua RD., Futian, Shenzhen, China



P	LTR	DESCRIPTION	DATE	DWN	APVD
	A	RELEASED	01DEC2011	RG	DO
	B	REVISED PER ECR-16-001405.	01FEB2016	RS	SZ



PIN CONTACT  
P/N: 2085957-1



ASSEMBLY DETAIL


1. ITEMS PROVIDED TO THIS SPECIFICATION SHALL BE IDENTIFIED ON THE CONTAINER WITH THE FOLLOWING INFORMATION:  
PART NUMBER & DATE CODE OF MANUFACTURE.

2 MATERIAL: PIN CONTACT: COPPER ALLOY  
CONICAL WASHER: SPRING STEEL  
SCREW & FLAT WASH.: STEEL

3 FINISH: PIN CONTACT: SILVER PLATE .000100 MIN THICK  
OVER NICKEL .000050 MIN THICK.  
SCREW: NICKEL PLATE  
CONICAL & FLAT WASH.: NICKEL PLATE

4 RECOMMENDED HOLE DIAMETER AFTER PLATING:  
Ø .260+.003/.001.

2085958-1  
PART NUMBER

THIS DRAWING IS A CONTROLLED DOCUMENT.		DWN R. GRZYBOWSKI 30NOV2011	 TE Connectivity	
DIMENSIONS: INCHES		CHK D. ORRIS 30NOV2011		
TOLERANCES UNLESS OTHERWISE SPECIFIED:		APVD D. ORRIS 30NOV2011	NAME PIN CONTACT, SIZ4 #4, SCREW MOUNT, LOCKING STYLE, PRESS FIT	
0 PLC ±- 1 PLC ±- 2 PLC ±.02 3 PLC ±.010 4 PLC ±- ANGLES ±.5		PRODUCT SPEC 108-64019	SIZE A3	
MATERIAL		APPLICATION SPEC 114-64005	CAGE CODE 00779	DRAWING NO C-2085958
FINISH		WEIGHT -	RESTRICTED TO -	
2		CUSTOMER DRAWING		SCALE 1:1
3		SHEET 1 OF 1		REV B