



Chipsmall Limited consists of a professional team with an average of over 10 year of expertise in the distribution of electronic components. Based in Hongkong, we have already established firm and mutual-benefit business relationships with customers from,Europe,America and south Asia,supplying obsolete and hard-to-find components to meet their specific needs.

With the principle of “Quality Parts,Customers Priority,Honest Operation,and Considerate Service”,our business mainly focus on the distribution of electronic components. Line cards we deal with include Microchip,ALPS,ROHM,Xilinx,Pulse,ON,Everlight and Freescale. Main products comprise IC,Modules,Potentiometer,IC Socket,Relay,Connector.Our parts cover such applications as commercial,industrial, and automotives areas.

We are looking forward to setting up business relationship with you and hope to provide you with the best service and solution. Let us make a better world for our industry!



Contact us

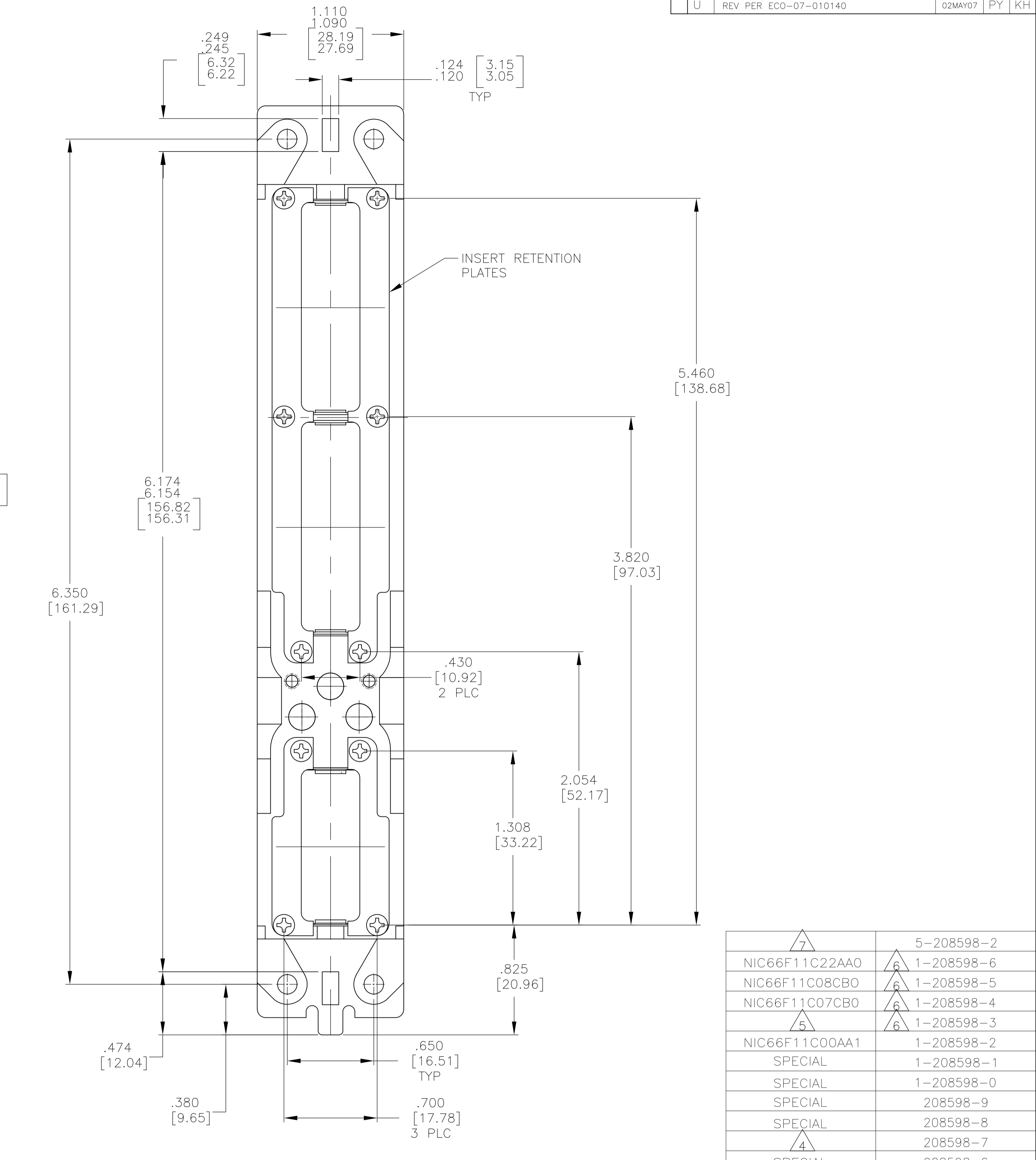
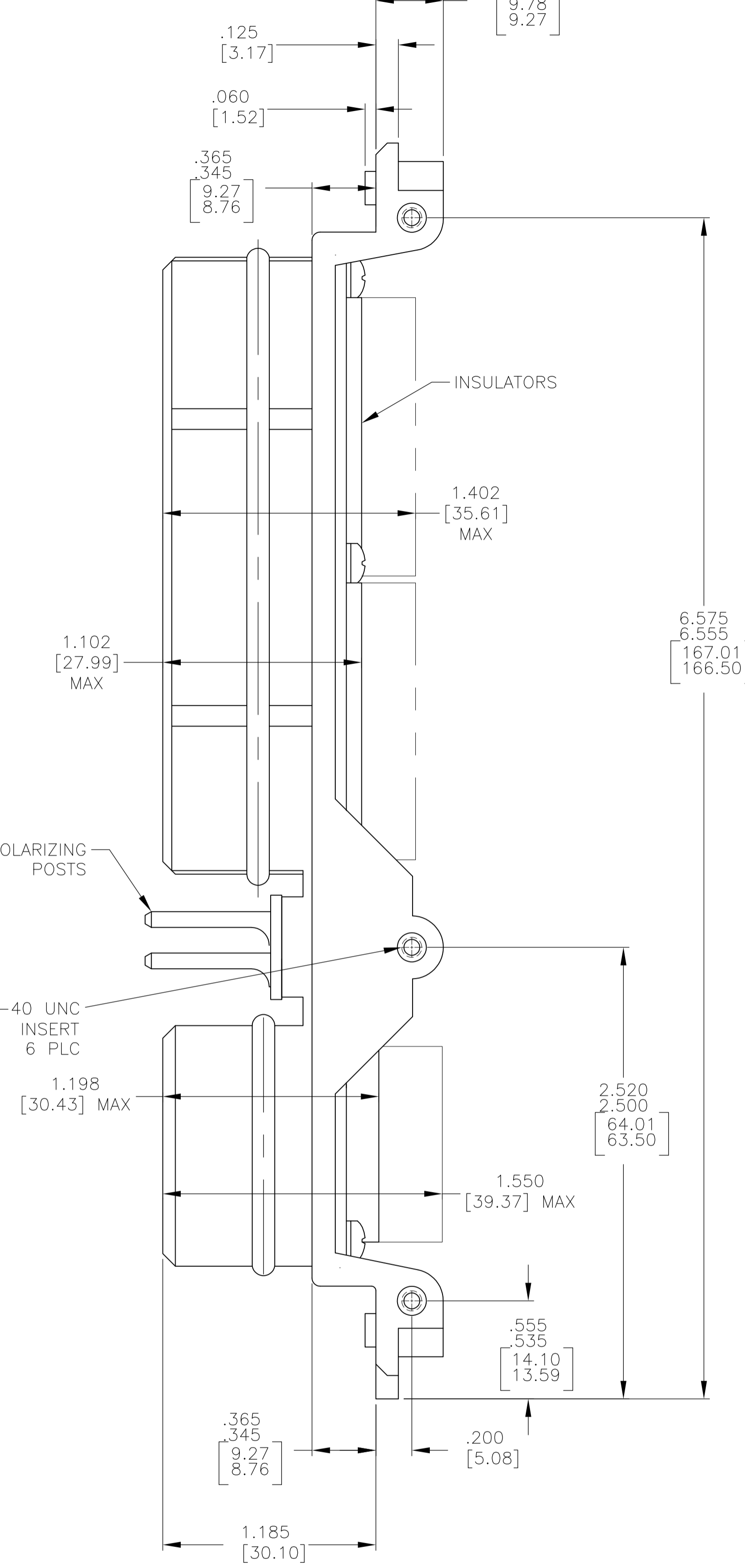
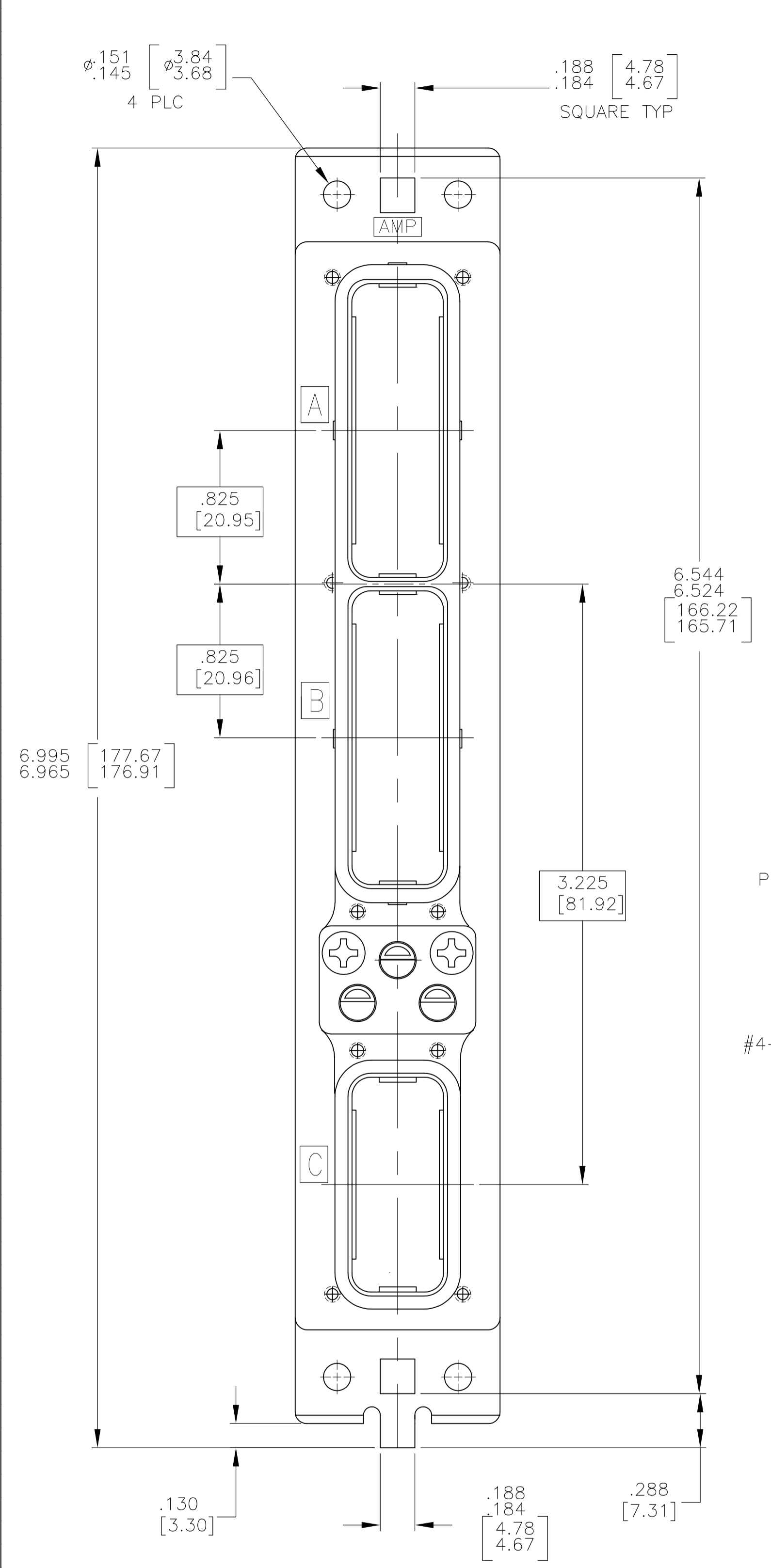
Tel: +86-755-8981 8866 Fax: +86-755-8427 6832

Email & Skype: info@chipsmall.com Web: www.chipsmall.com

Address: A1208, Overseas Decoration Building, #122 Zhenhua RD., Futian, Shenzhen, China



LOC		DIST		REVISIONS			
DF	AO	REV	PER	ECO	DATE	BY	APPROV
U	REV	PER	ECO	07-010140	02MAY07	PY	KH



- CONNECTOR DIMENSIONS ARE PER ARINC 600 SPECIFICATION
 - KEYING SHOWN IN POSITION "01" FOR REFERENCE ONLY. CONNECTOR SHIPPED WITH KEYING PER ORDERING INSTRUCTIONS. FOR POSITION "00" KEYING SHIPPED UNASSEMBLED.
 - FOR SHIPMENT CONTACTS (IF ORDERED) ARE INCLUDED IN A CONTAINER WITHIN THE CONNECTOR PACKAGE. COAX CONTACTS ARE NOT SUPPLIED AND MUST BE ORDERED SEPARATELY.
- $\triangle 4$ SEE RESTRICTED CUSTOMER DRAWING 208598-7
 - $\triangle 5$ SPECIAL WITH INSERTS 60/OPEN/5C2, STANDARD MOUNTING, NO CONTACTS
 - $\triangle 6$ PRELIMINARY, NOT RELEASED FOR PRODUCTION
 - $\triangle 7$ FINISH OF SHELLS AND RETENTION PLATES IS ELECTROLESS NICKEL PER MIL-C-26074, CLASS 3 OR 4, GRADE B (5--2 ONLY)

DESCRIPTION	PART NUMBER
$\triangle 7$	5-208598-2
NIC66F11C22AA0	$\triangle 6$ 1-208598-6
NIC66F11C08CBO	$\triangle 6$ 1-208598-5
NIC66F11C07CBO	$\triangle 6$ 1-208598-4
$\triangle 5$	$\triangle 6$ 1-208598-3
NIC66F11C00AA1	1-208598-2
SPECIAL	1-208598-1
SPECIAL	1-208598-0
SPECIAL	208598-9
SPECIAL	208598-8
$\triangle 4$	208598-7
SPECIAL	208598-6
SPECIAL	208598-5
NIC66F11B22AA1	208598-4
NIC66F11C01AA1	208598-3
NIC66F11B01AA1	208598-2
NIC66F11B01AA0	208598-1
DESCRIPTIVE NUMBER	PART NUMBER

COMPONENT	MATERIAL	FINISH
SHELL	DIE CAST ALUMINUM PER ASTM-B-85	$\triangle 7$ CHEMICAL COVERSION PER MIL-C-5541, CLASS 1A
RETENTION PLATES	ALUMINUM ALLOY PER ASTM-B-209	$\triangle 7$ CHEMICAL COVERSION PER MIL-C-5541, CLASS 1A
SCREWS AND LOCKWASHERS	STEEL OR STAINLESS STEEL	CHROMATE OVER ZINC OR PASSIVATED
POLARIZING POSTS	ZINC ALLOY PER ASTM-B-86	ELECTROLESS NICKEL PER MIL-C-26074, CLASS 4, GRADE B
INSERTS	THERMOSET	-
FILLER PLUG (IF ORDERED)	TEFLON	-
POLARIZING POST RETAINING PLATE	ALUMINUM ALLOY PER ASTM-B-209	BLUE ANODIZED PER MIL-A-8625

THIS DRAWING IS A CONTROLLED DOCUMENT.

DIMENSIONS: INCHES. TOLERANCES UNLESS OTHERWISE SPECIFIED:

0 PLC	$\pm .005$
1 PLC	$\pm .005$
2 PLC	$\pm .005$
3 PLC	$\pm .005$ [0.13]
4 PLC	$\pm .005$
ANGLES	$\pm \text{ } \theta 30'$

MATERIAL: SEE TABLE. FINISH: SEE TABLE.

THIS DRAWING IS A CONTROLLED DOCUMENT. DWN: C.C.THOMAS 11-20-04. CHK: 4-11-05. R: GROSS 4-11-05. NAME: Tyco Electronics Corporation, Harrisburg, Pa 17105-3608. PRODUCT SPEC: PLUG ASSY, SIZE 1, SEALED CLASS B, PLUG, ARINC 600. APPLICATION SPEC: -. WEIGHT: -. A1 00779 C=208598. SCALE: 2:1. SHEET: 1 OF 1. REV: U.