



Chipsmall Limited consists of a professional team with an average of over 10 year of expertise in the distribution of electronic components. Based in Hongkong, we have already established firm and mutual-benefit business relationships with customers from,Europe,America and south Asia,supplying obsolete and hard-to-find components to meet their specific needs.

With the principle of “Quality Parts,Customers Priority,Honest Operation,and Considerate Service”,our business mainly focus on the distribution of electronic components. Line cards we deal with include Microchip,ALPS,ROHM,Xilinx,Pulse,ON,Everlight and Freescale. Main products comprise IC,Modules,Potentiometer,IC Socket,Relay,Connector.Our parts cover such applications as commercial,industrial, and automotives areas.

We are looking forward to setting up business relationship with you and hope to provide you with the best service and solution. Let us make a better world for our industry!



## Contact us

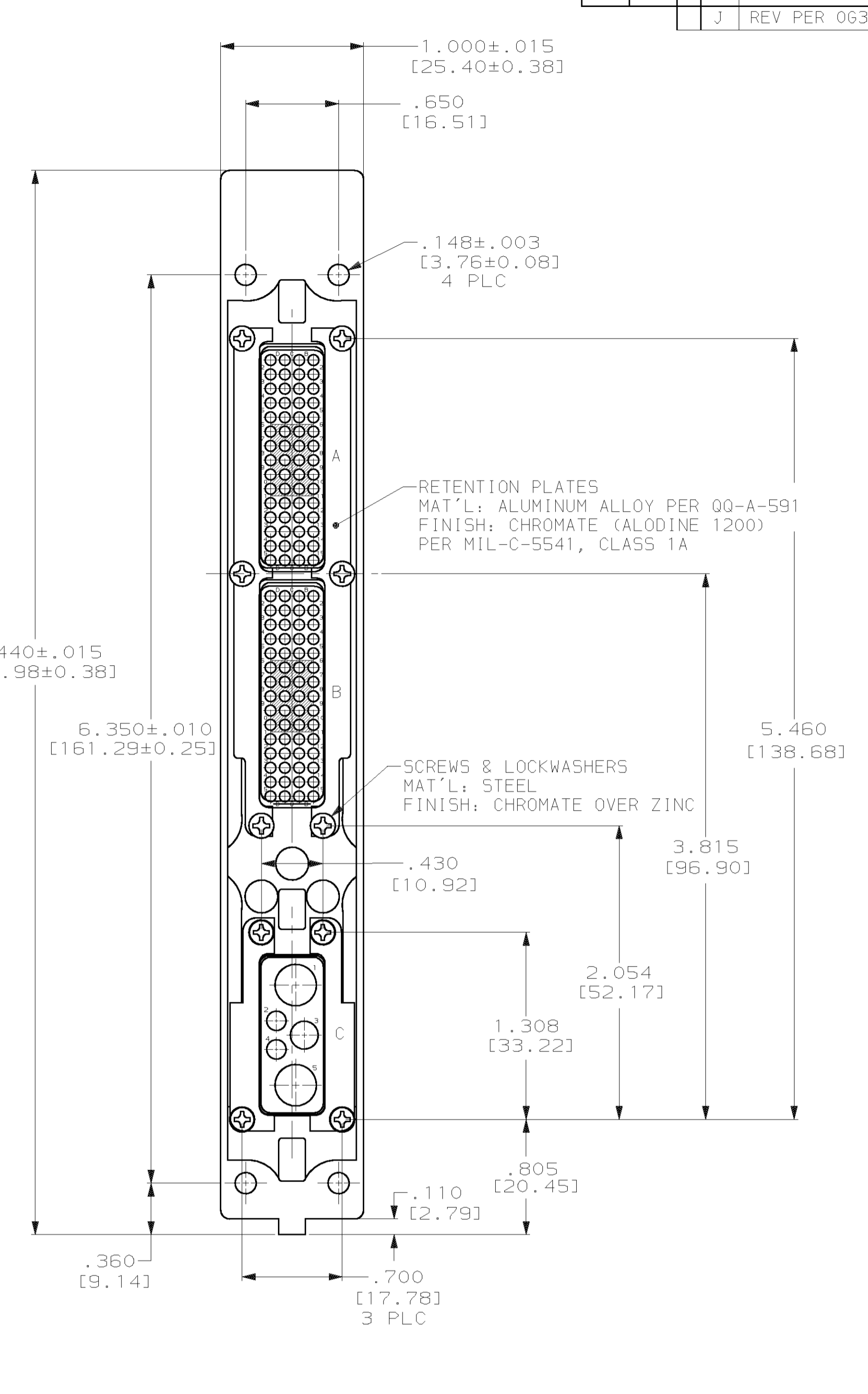
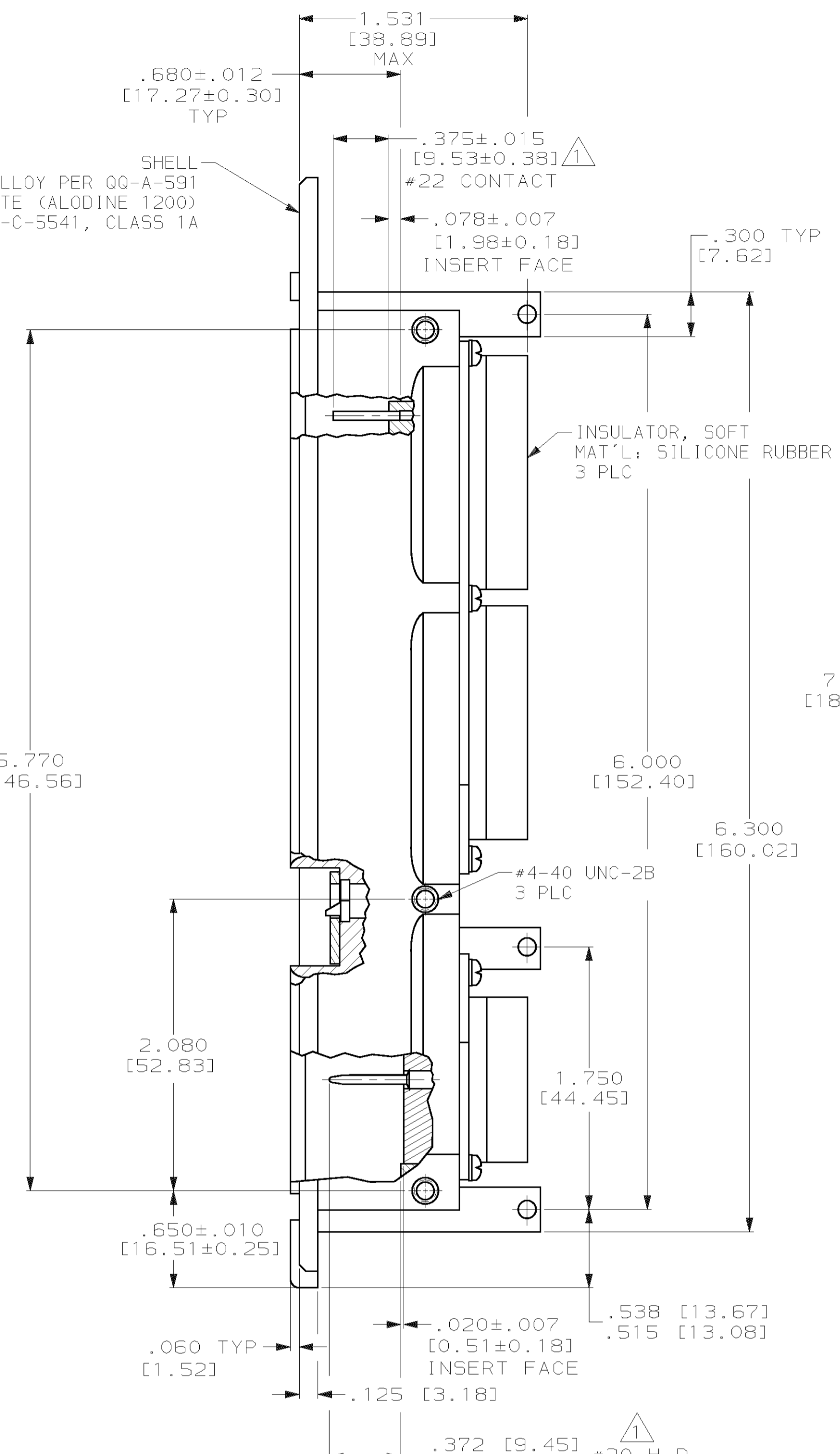
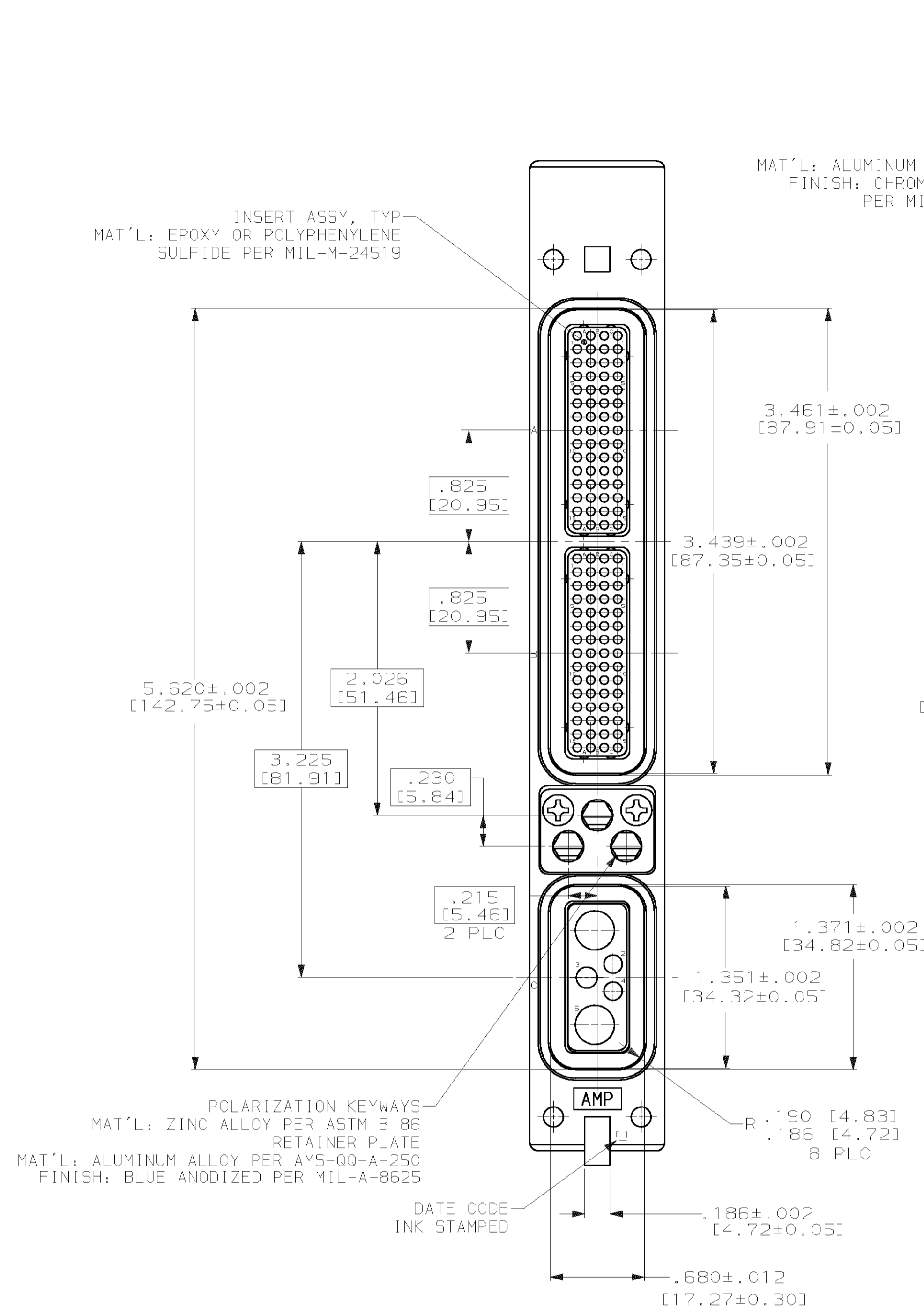
Tel: +86-755-8981 8866 Fax: +86-755-8427 6832

Email & Skype: info@chipsmall.com Web: www.chipsmall.com

Address: A1208, Overseas Decoration Building, #122 Zhenhua RD., Futian, Shenzhen, China



REV. NO.		DATE		BY		CHK		APPV	
DF	AO	J	REV PER	OG3D-0041-02	3-03	JMK	SG		



.372 [9.45]	#20 H.D.
.322 [8.18]	
.517 [13.13]	#16
.468 [11.89]	
.514 [13.06]	#12
.474 [12.04]	
.389 [9.88]	#5 COAX
.342 [8.69]	

- CONTACTS ARE SHOWN IN POSITION FOR ILLUSTRATION ONLY. FOR SHIPMENT CONTACTS ARE INCLUDED IN A CONTAINER WITHIN THE CONNECTOR PACKAGE. COAX CONTACTS ARE NOT SUPPLIED AND MUST BE ORDERED SEPARATELY.
- ALL CONTACTS CAVITIES IN MODULES A & B ARE LOCATED WITHIN .006 [0.15] DIA TRUE POSITION. ALL CONTACT CAVITIES IN MODULE C ARE LOCATED WITHIN .020 [0.51] DIA TRUE POSITION.
- POLARIZING KEYS SHOWN IN POSITION O1 FOR ILLUSTRATION ONLY. CONNECTORS SHIPPED WITH KEYING PER ORDERING INSTRUCTIONS. CONTACT INSERTS AS SHOWN FOR ILLUSTRATION ONLY. SEE TABLE FOR DISRIPTIVE NUMBER.

DESCRIPTIVE NUMBER	PART NUMBER
NIC66E11B54AA0	208600-3
NIC66E11B01AA1	208600-2
NIC66E11B01AA0	208600-1

DIMENSIONS: INCHES (mm)		TOLERANCES UNLESS OTHERWISE SPECIFIED: 0 PLC ±.005 1 PLC ±.005 2 PLC ±.005 3 PLC ±.005 (0.133) 4 PLC ±.005 ANGLES 40°/30°		DIMEN C.C. THOMAS 11-20-95 CHK R. GROSS 4-11-96 R. GROSS 4-11-96		<b>AMP</b> AMP Incorporated Harrisburg, PA 17105-3608	
MATERIAL SEE CALLOUTS		FINISH SEE CALLOUTS		APPLICATION SPEC CUSTOMER DRAWING		<b>CONNECTOR ASSY, SIZE 1</b> <b>CLASS "B", RCPT, ARINC-600</b>	
SIZE A1		CAGE CODE 00779		DRAWING NO C-208600		SCALE 1.5:1 SHEET 11 OF 11	