



Chipsmall Limited consists of a professional team with an average of over 10 year of expertise in the distribution of electronic components. Based in Hongkong, we have already established firm and mutual-benefit business relationships with customers from,Europe,America and south Asia,supplying obsolete and hard-to-find components to meet their specific needs.

With the principle of “Quality Parts,Customers Priority,Honest Operation,and Considerate Service”,our business mainly focus on the distribution of electronic components. Line cards we deal with include Microchip,ALPS,ROHM,Xilinx,Pulse,ON,Everlight and Freescale. Main products comprise IC,Modules,Potentiometer,IC Socket,Relay,Connector.Our parts cover such applications as commercial,industrial, and automotives areas.

We are looking forward to setting up business relationship with you and hope to provide you with the best service and solution. Let us make a better world for our industry!



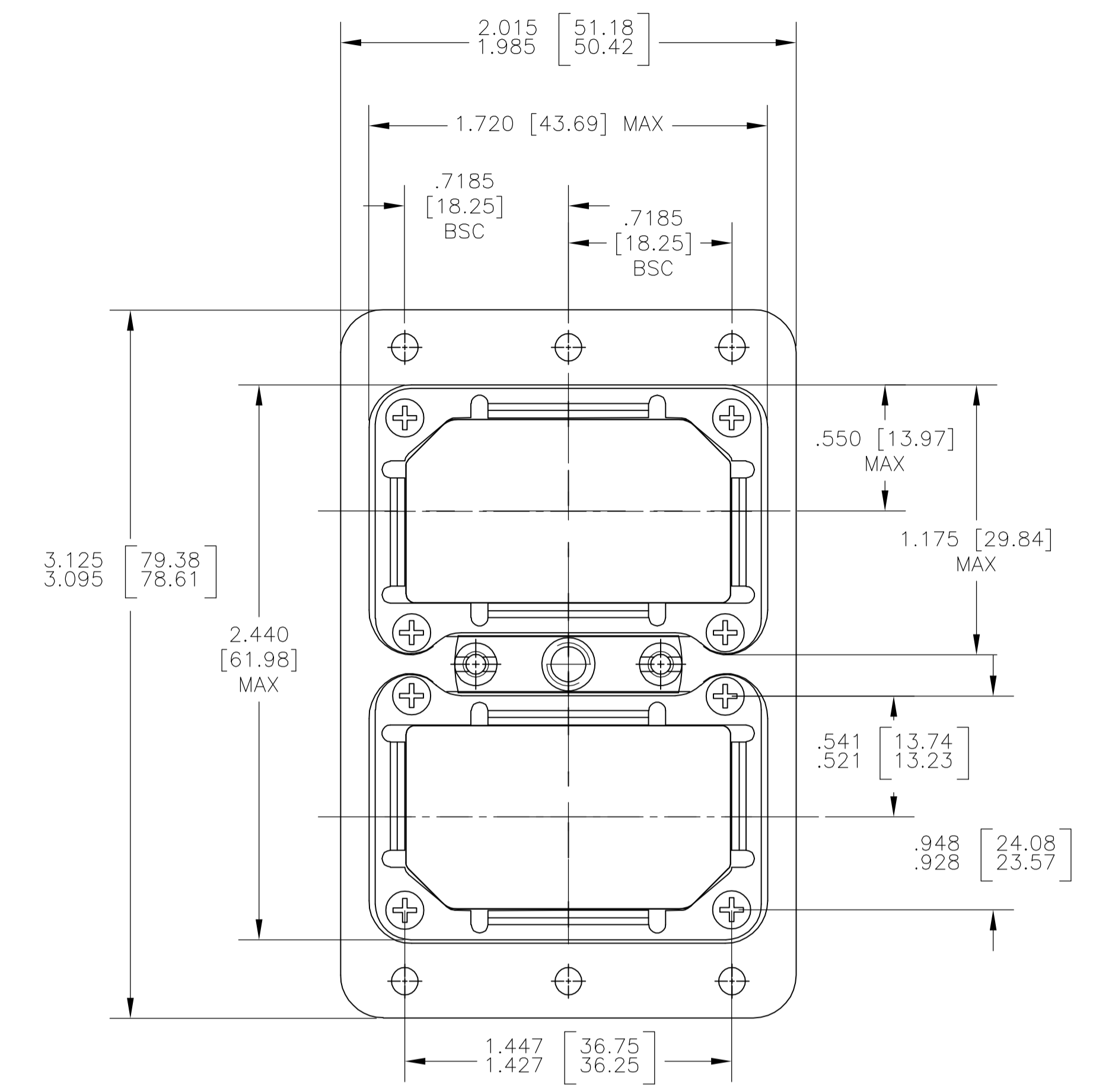
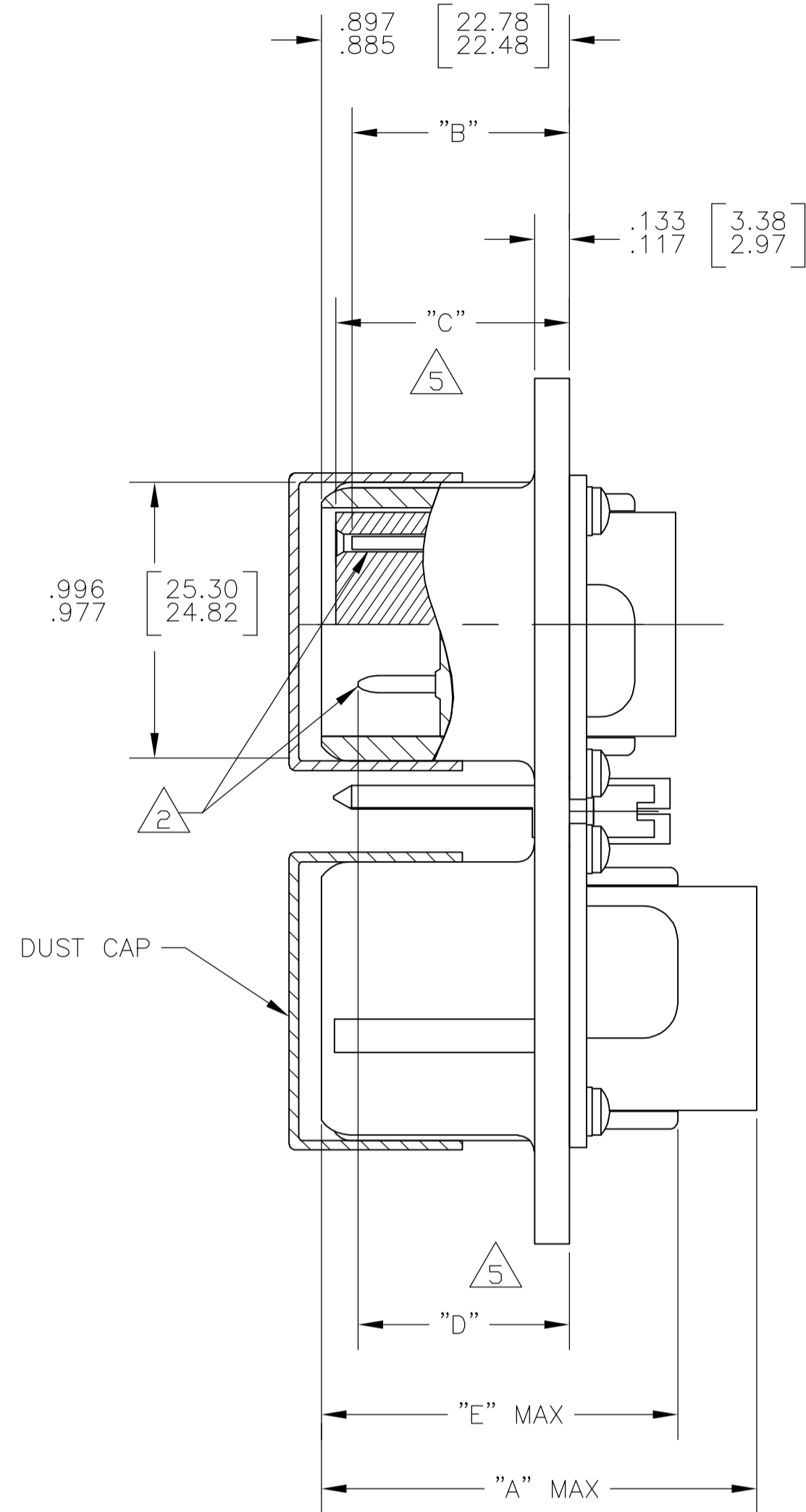
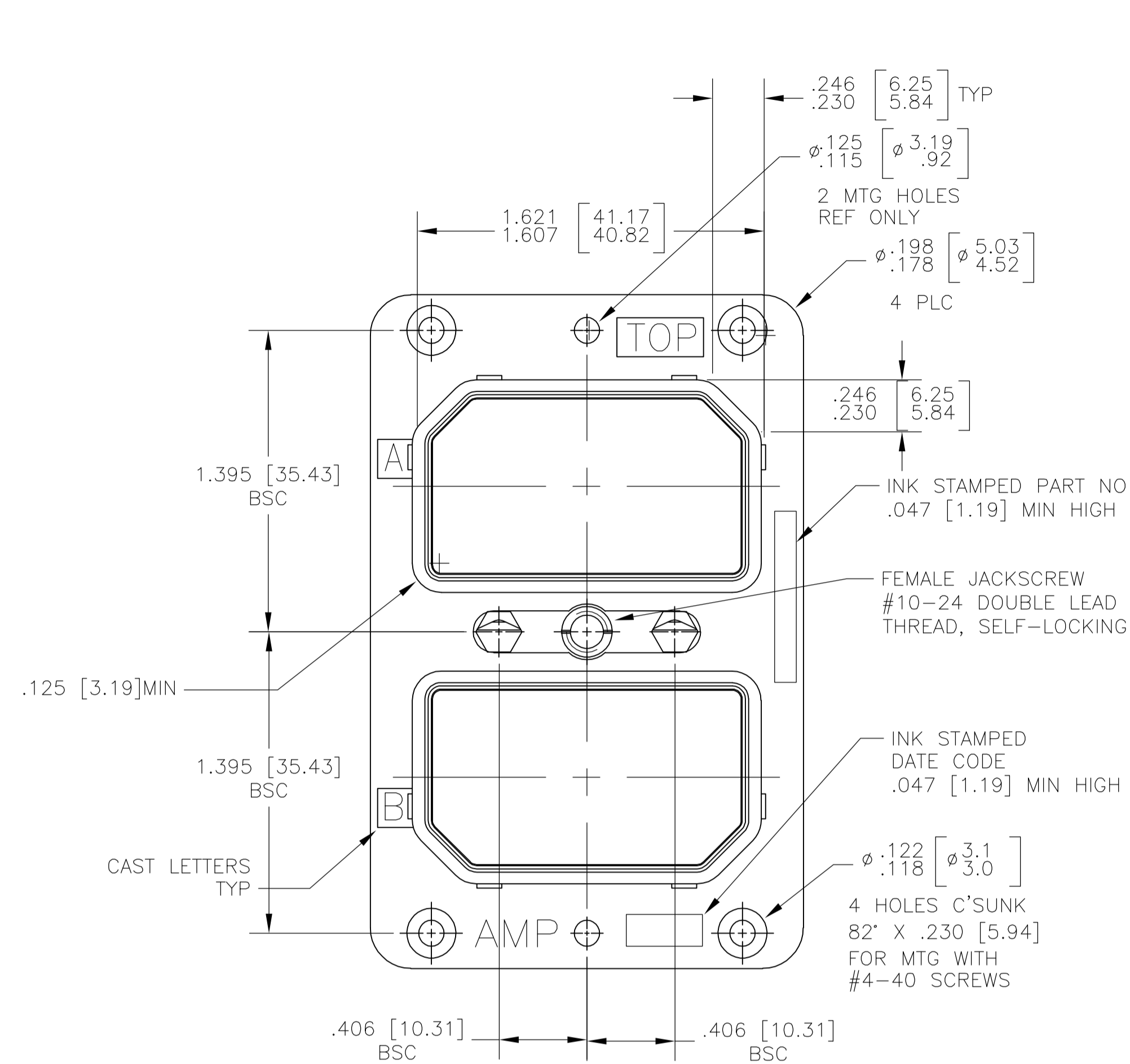
Contact us

Tel: +86-755-8981 8866 Fax: +86-755-8427 6832

Email & Skype: info@chipsmall.com Web: www.chipsmall.com

Address: A1208, Overseas Decoration Building, #122 Zhenhua RD., Futian, Shenzhen, China





- 1 MATERIAL & FINISH
 SHELL: DIE CAST ALUM. ALLOY PER FED SPEC QQ-A-591
 FINISH: CAD. PLATED PER QQ-P-416, TYPE 1, CLASS 2
 YELLOW CHROMATE CONVERSION.
 INSERT RETENTION PLATE: ALUM. ALLOY, BLUE ANODIZE PER MIL-A-8625.
 INSULATOR, HARD: EPOXY PER MIL-M-24325.
 INSULATOR, SOFT: FLUOROSILICONE RUBBER, COLOR: BLUE.
 GROMMET PROTECTOR: ALUM. ALLOY, FINISH: BLUE EPOXY.
 POLARIZING POST & NUTS: STAINLESS STEEL.
 FEMALE JACKSCREW: STAINLESS STEEL.
 SCREWS & WASHERS: STEEL, CAD. PLATED PER QQ-P-416.
 DUST CAP: CLEAR VINYL.
- 2 CONTACTS SHOWN IN POSITION FOR ILLUSTRATION ONLY, ARE INCLUDED IN A CONTAINER WITHIN CONNECTOR PACKAGE FOR SHIPMENT.
- 3 CONNECTOR MEETS AMP PRODUCT SPEC 108-10,019.
- 4 COAX CONTACTS & SEALING BOOTS MUST BE ORDERED SEPARATELY.
- 5 FOR CONTACT SIZE 22 DIMENSION "B" REPRESENTS PIN CONTACTS & DIMENSION "D" REPRESENTS SOCKET CONTACTS.
- 6 ALL METRIC DIMENSIONS ARE SHOWN IN PARENTHESIS.
- 7 FOR MATING CONNECTOR SEE 208669.
- 8 CONNECTORS ORDERED LESS CONTACTS WILL BE MARKED WITH SAME P/N AS CONNECTORS ORDERED WITH CONTACTS.

	INSERT ARRANGEMENT													
	C2	C3	8	C8	D8	26	32C2	33C4	40	40CI	45	57	67	106
"A" MAX	1.201 [30.51]	1.201 [30.51]	1.425 [36.20]	1.201 [30.51]	1.541 [39.14]	1.541 [39.14]	1.595 [40.51]	1.616 [41.05]	1.425 [36.20]	1.595 [40.51]	1.541 [39.14]	1.541 [39.14]	1.425 [36.20]	1.541 [39.14]
"E" MAX	.966 [24.54]	.966 [24.54]	1.340 [34.04]	.966 [24.54]	1.340 [34.04]	1.340 [34.04]	1.340 [34.04]	1.340 [34.04]	1.340 [34.04]	1.340 [34.04]	1.340 [34.04]	1.340 [34.04]	1.340 [34.04]	1.340 [34.04]

"B" Δ				"C"				"D" Δ			
22	20	16	12	22	20	16	12	22	20	16	12
.736 [18.69]	.827 [21.00]	.782 [19.86]	.793 [20.14]	.797 [20.24]	.893 [22.68]	.893 [22.68]	.893 [22.68]	.737 [18.72]	.700 [17.78]	.824 [20.93]	.824 [20.93]
.688 [17.48]	.769 [19.53]	.735 [18.67]	.746 [18.95]	.769 [19.53]	.865 [21.97]	.865 [21.97]	.865 [21.97]	.688 [17.48]	.585 [14.86]	.746 [18.95]	.746 [18.95]

PART NO.	ARRANGEMENT		CONTACTS TOOLS & SEALING PLUGS
	MODULE A	MODULE B	
208668-1	106P	33C4S	YES
OBSELETE 208668-2	106P	33C4S	YES
208668-3 Δ	106P	33C4S	NO
OBSELETE 208668-4 Δ	106P	33C4S	NO

THIS DRAWING IS A CONTROLLED DOCUMENT.		DIN T. THOMPSON 01OCT98	Tyco Electronics Corporation Harrisburg, PA 17105-3608
DIMENSIONS: INCHES		CHK R. BELL 01OCT98	
TOLERANCES UNLESS OTHERWISE SPECIFIED:		APVD R. BELL 01OCT98	NAME: PLUG CONNECTOR INSTALLATION WITH CENTER FEMALE JACKSCREW
0 PLC ± -		PRODUCT SPEC	
1 PLC ± -		APPLICATION SPEC	SIZE: A1
2 PLC ± -		WEIGHT: -	CAGE CODE: 00779
3 PLC ± -		CUSTOMER DRAWING	DRAWING NO: 208668
4 PLC ± -		RESTRICTED TO: -	SCALE: 2:1
ANGLES ± -			SHEET: 1 OF 1
FINISH Δ			REV: G