



Chipsmall Limited consists of a professional team with an average of over 10 year of expertise in the distribution of electronic components. Based in Hongkong, we have already established firm and mutual-benefit business relationships with customers from,Europe,America and south Asia,supplying obsolete and hard-to-find components to meet their specific needs.

With the principle of "Quality Parts,Customers Priority,Honest Operation,and Considerate Service",our business mainly focus on the distribution of electronic components. Line cards we deal with include Microchip,ALPS,ROHM,Xilinx,Pulse,ON,Everlight and Freescale. Main products comprise IC,Modules,Potentiometer,IC Socket,Relay,Connector.Our parts cover such applications as commercial,industrial, and automotives areas.

We are looking forward to setting up business relationship with you and hope to provide you with the best service and solution. Let us make a better world for our industry!



Contact us

Tel: +86-755-8981 8866 Fax: +86-755-8427 6832

Email & Skype: info@chipsmall.com Web: www.chipsmall.com

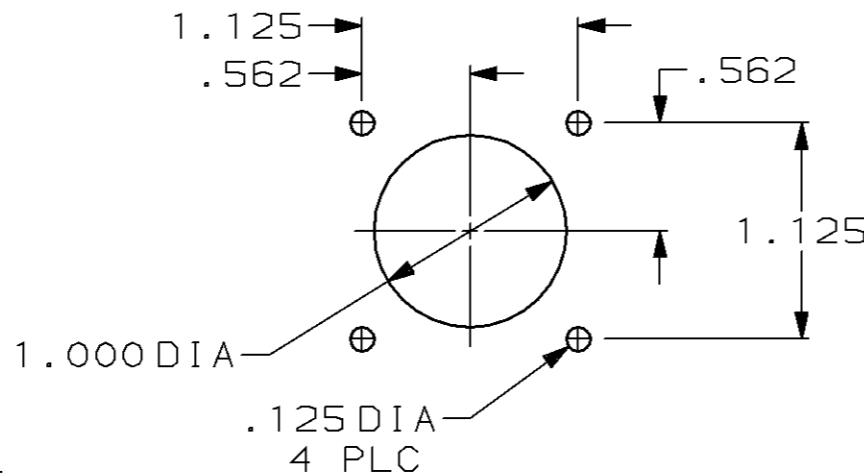
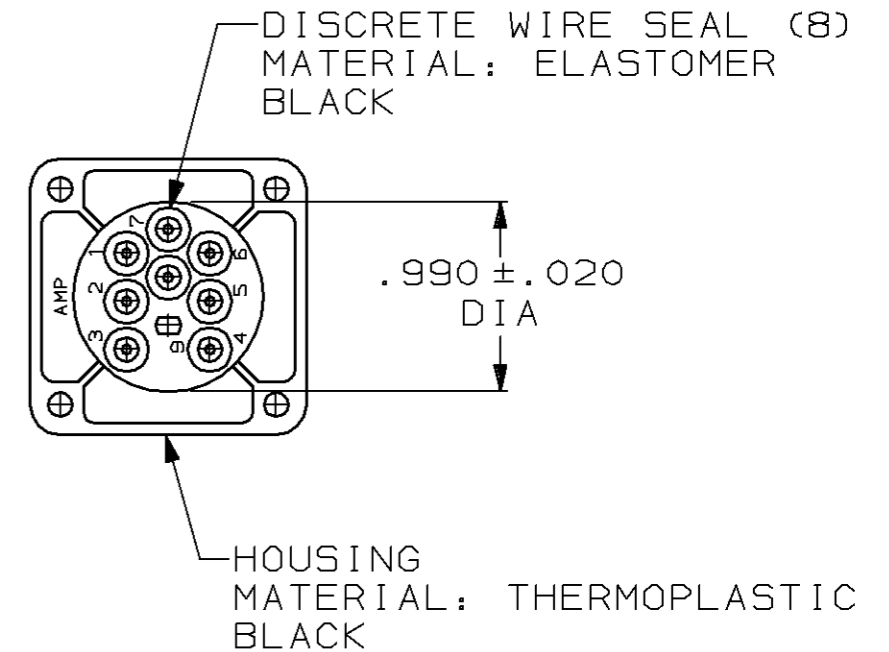
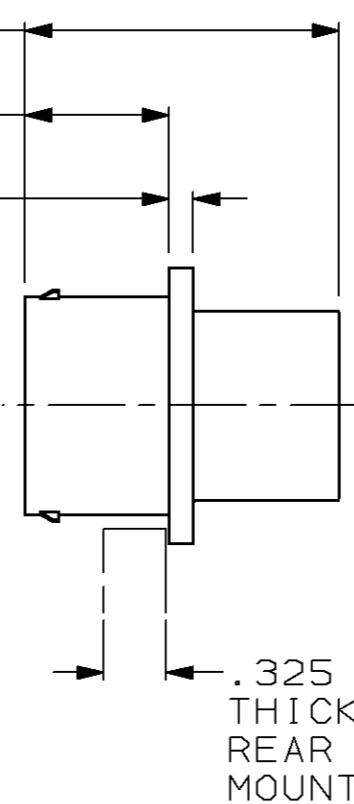
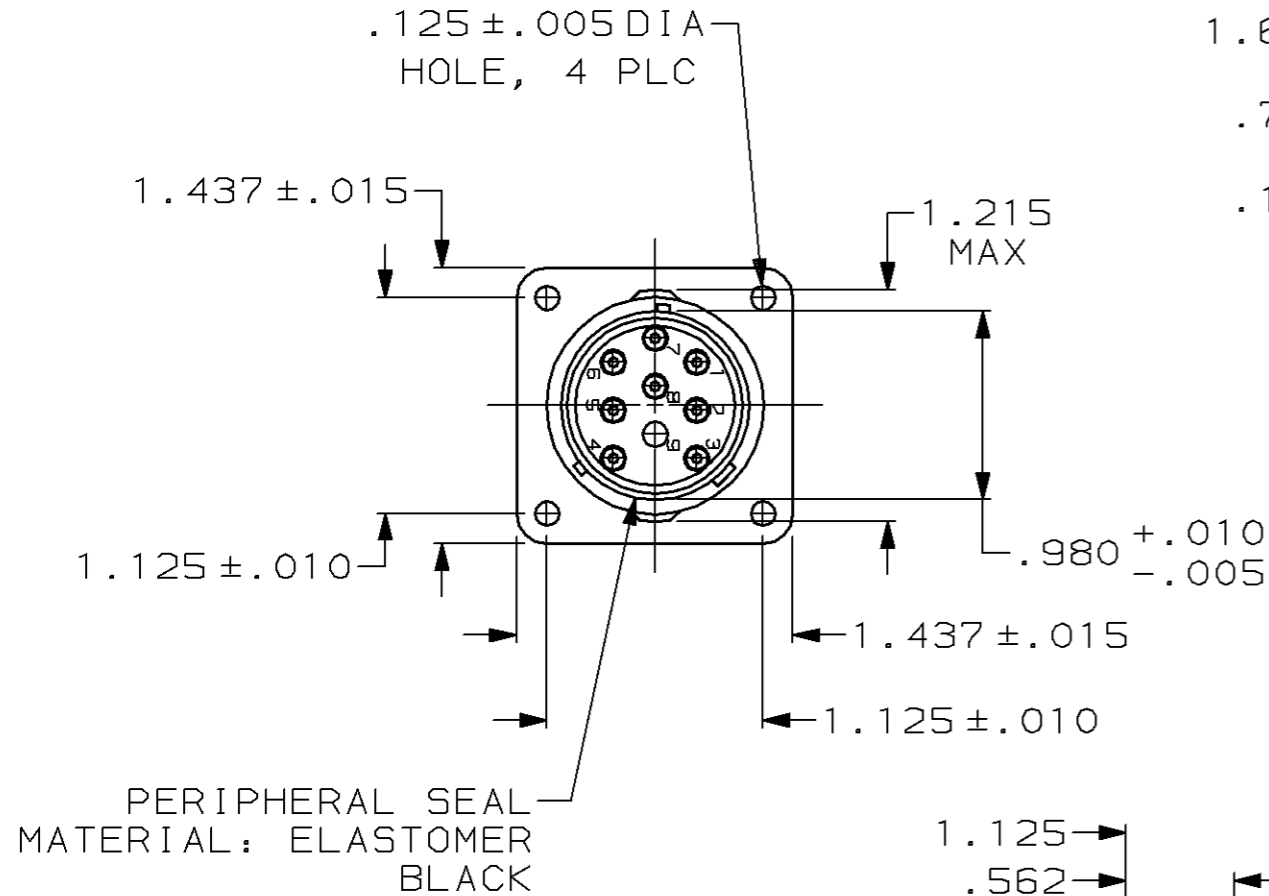
Address: A1208, Overseas Decoration Building, #122 Zhenhua RD., Futian, Shenzhen, China



THIS DRAWING IS UNPUBLISHED. RELEASED FOR PUBLICATION, 19
 © COPYRIGHT 19 BY AMP INCORPORATED. ALL INTERNATIONAL RIGHTS RESERVED.

LOC: BD DIST: 39

P		F		REVISIONS		
ZONE	LTR	DESCRIPTION	DATE	APPD		
	D	REDRAWN AND REV PER ECN BD4183	8-10-90	KB		
	E	REV PER ECN BD5258	08/13/91	KB		
	F	REV PER EC 0020-654-95	06/22/95	GS		
	G	REV PER EC 0020-0949-95	23 AUG 95	GS		



1. WIRE INSULATION SEALING RANGE .070-.115 DIA.
2. MATES WITH 208678-1.
3. TOTAL LENGTH OF MATED CONNECTORS IS LESS THAN 2.50 INCHES.
4. THIN MEMBRANE PERMISSIBLE ON SMALL DIAMETER OF WIRE SEALS.
5. ROTATION OF CAVITY CIRCUIT KEY FROM PART TO PART IS PERMISSIBLE.

RECOMMENDED PANEL CUTOUT

208677-1
PART NUMBER

DO NOT SCALE PRINT. UNLESS SPECIFIED DIMENSIONS IN INCHES TOLERANCES ON: 2 PLC DEC ± - 3 PLC DEC ± .005 ANGLES ± -	DR 8-10-90 J. GALLUCCI BG	AMP AMP INCORPORATED Harrisburg, Pa. 17105		
	CHK 1-4-91 J. McCLINTON			
	MATERIAL SEE CALLOUT	APPD 1-18-91 K. BEAVER	NAME ECONOSEAL, SQUARE FLANGE RECEPTACLE, SHELL SIZE 17, 8 POSN, PIN CONTACTS	
	FINISH -	APPD 1-29-91 J. FULPONI	PRODUCT SPEC -	
	APPLICATION SPEC -	SIZE B	FSCM NO 00779	DRAWING NO 208677
	WEIGHT -	SCALE 1:1	SHEET 1 OF 1	