



Chipsmall Limited consists of a professional team with an average of over 10 year of expertise in the distribution of electronic components. Based in Hongkong, we have already established firm and mutual-benefit business relationships with customers from,Europe,America and south Asia,supplying obsolete and hard-to-find components to meet their specific needs.

With the principle of “Quality Parts,Customers Priority,Honest Operation,and Considerate Service”,our business mainly focus on the distribution of electronic components. Line cards we deal with include Microchip,ALPS,ROHM,Xilinx,Pulse,ON,Everlight and Freescale. Main products comprise IC,Modules,Potentiometer,IC Socket,Relay,Connector.Our parts cover such applications as commercial,industrial, and automotives areas.

We are looking forward to setting up business relationship with you and hope to provide you with the best service and solution. Let us make a better world for our industry!



Contact us

Tel: +86-755-8981 8866 Fax: +86-755-8427 6832

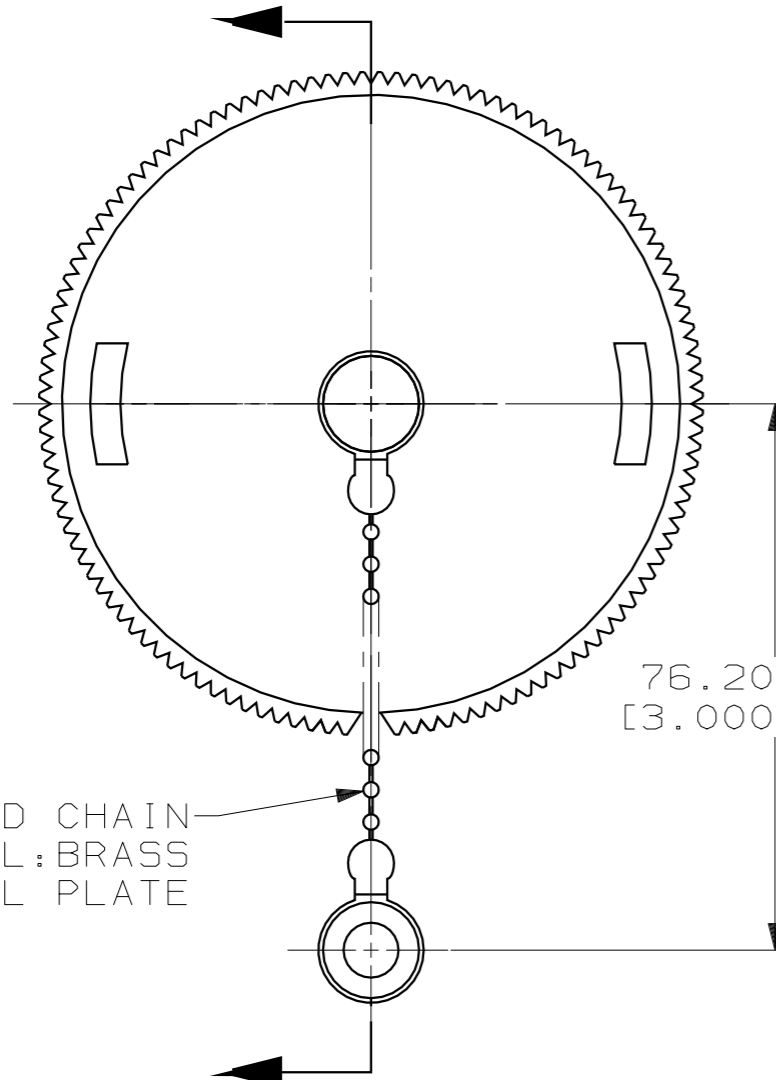
Email & Skype: info@chipsmall.com Web: www.chipsmall.com

Address: A1208, Overseas Decoration Building, #122 Zhenhua RD., Futian, Shenzhen, China



THIS DRAWING IS UNPUBLISHED. RELEASED FOR PUBLICATION, 19 .
 © COPYRIGHT 19 BY AMP INCORPORATED. ALL INTERNATIONAL RIGHTS RESERVED.

MOD	LOC	DIST	P	F	ZONE	LTR	DESCRIPTION	DATE	APPD
4	BD	35				C	REDRAWN & REV PER EC 0020-680-93	6-10-93	AF

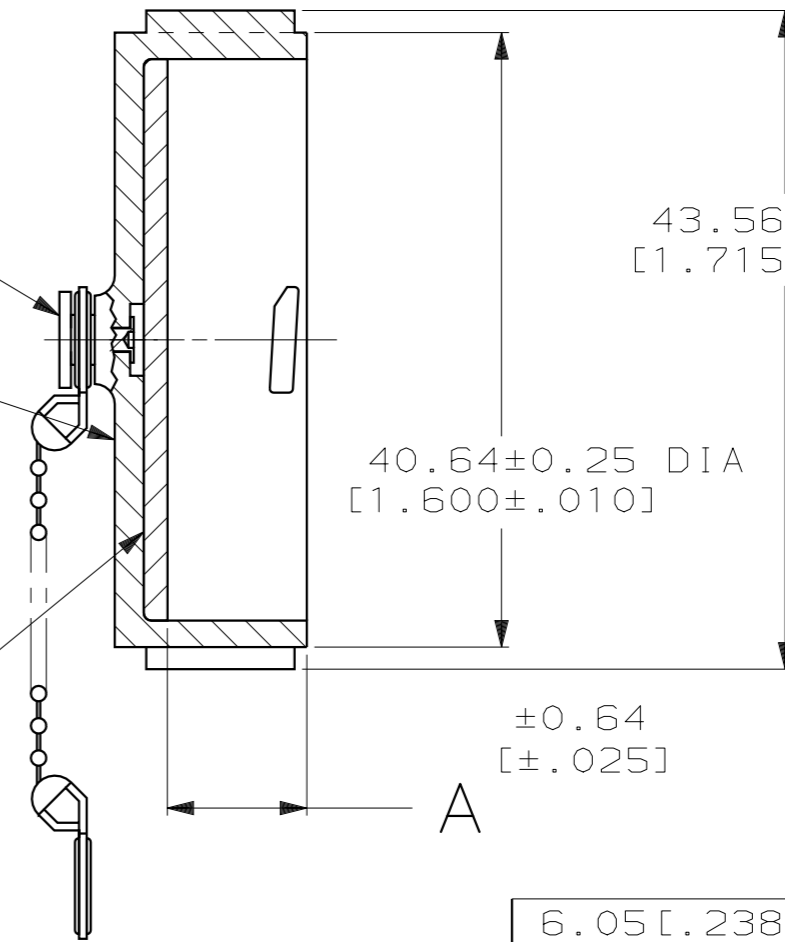


BEAD CHAIN
 MATERIAL: BRASS
 FINISH: NICKEL PLATE

RIVET
 MATERIAL: CARBON STEEL
 FINISH: ZINC PLATE
 W/CLEAR CHROMATE

SEALING CAP
 MATERIAL: THERMOPLASTIC
 COLOR: BLACK

SEALING GASKET
 MATERIAL: ELASTOMER
 COLOR: BLACK



6.05 [.238]	208680-2
9.22 [.363]	208680-1
A	PART NUMBER

THIS DRAWING IS A CONTROLLED DOCUMENT FOR AMP INCORPORATED. IT IS SUBJECT TO CHANGE AND THE CONTROLLING ENGINEERING ORGANIZATION SHOULD BE CONTACTED FOR THE LATEST REVISION.

DO NOT SCALE PRINT. UNLESS SPECIFIED DIMENSIONS IN mm [INCHES] TOLERANCES ON:		PART NO	
2 PLC DEC ± 0.13 [.005]	DR 6-10-93 D. BROCKWAY	AMP AMP Incorporated Harrisburg, PA 17105-3608	
3 PLC DEC ± -	CHK 7-1-93 R. STONE		
ANGLES ± -	APPD 7-1-93 AL FRANTUM	NAME	
MATERIAL	APPD 7-1-93 AL FRANTUM	SEALING CAP ASSY, SIZE 23, WITH BEAD CHAIN, CPC	
SEE CALLOUTS	PRODUCT SPEC -	SIZE	CAGE CODE
FINISH	APPLICATION SPEC -	B	00779
SEE CALLOUTS	WEIGHT -	DRAWING NO	C-208680
		SCALE	SHEET
		2:1	1 OF 1