



Chipsmall Limited consists of a professional team with an average of over 10 year of expertise in the distribution of electronic components. Based in Hongkong, we have already established firm and mutual-benefit business relationships with customers from,Europe,America and south Asia,supplying obsolete and hard-to-find components to meet their specific needs.

With the principle of “Quality Parts,Customers Priority,Honest Operation,and Considerate Service”,our business mainly focus on the distribution of electronic components. Line cards we deal with include Microchip,ALPS,ROHM,Xilinx,Pulse,ON,Everlight and Freescale. Main products comprise IC,Modules,Potentiometer,IC Socket,Relay,Connector.Our parts cover such applications as commercial,industrial, and automotives areas.

We are looking forward to setting up business relationship with you and hope to provide you with the best service and solution. Let us make a better world for our industry!



## Contact us

Tel: +86-755-8981 8866 Fax: +86-755-8427 6832

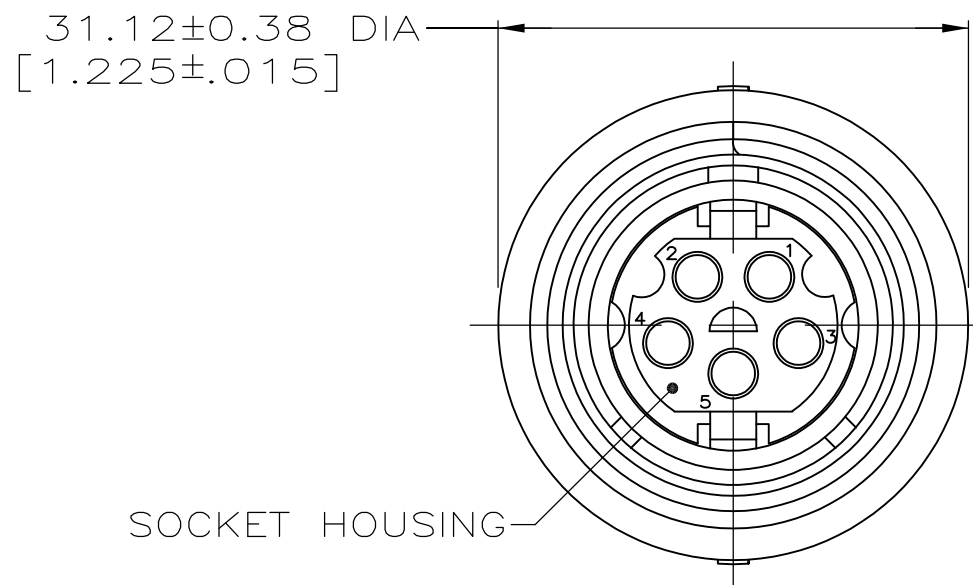
Email & Skype: info@chipsmall.com Web: www.chipsmall.com

Address: A1208, Overseas Decoration Building, #122 Zhenhua RD., Futian, Shenzhen, China



THIS DRAWING IS UNPUBLISHED. RELEASED FOR PUBLICATION  
 © COPYRIGHT - By - ALL RIGHTS RESERVED.

LOC	DIST	REVISIONS			
P	LTR	DESCRIPTION	DATE	DWN	APVD
FT	0	J2	REVISED PER ECO-11-005027	12MAR11	RK HMR

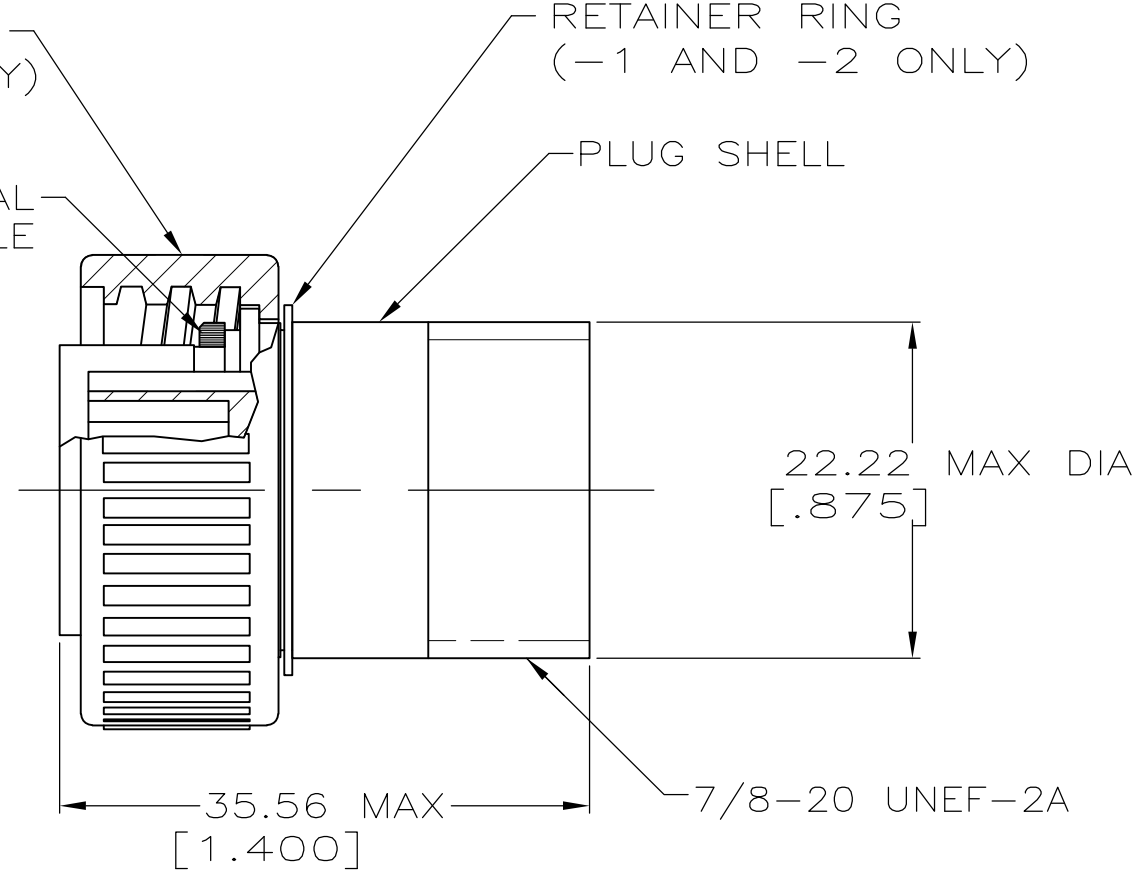


COUPLING RING  
(-1 AND -2 ONLY)

RETAINER RING  
(-1 AND -2 ONLY)

SEAL  
SEE TABLE

PLUG SHELL



NOTES:

- THIS CONNECTOR ACCEPTS FIVE (5) SIZE 16 MULTIMATE SOCKET CONTACTS, MAXIMUM WIRE INSULATION DIA = 3.43[.135].
- THIS CONNECTOR MATES WITH AMP P/N 208719-1.
- AMP P/N AND DATE CODE TO BE LOCATED ON COUPLING RING.

- ④ NICKEL PER QQ-N-290 OVER COPPER PER MIL-C-14550.
- ⑤ ZINC PER QQ-Z-363.
- ⑥ OBSOLETE PARTS: OBSOLETE CIS STREAMLINING PER D.RENAUD/D.SINISI

⑥ OBSOLETE	NO	NO	NO	208718-3
	YES	YES	YES	208718-2
	YES	YES	NO	208718-1
	RETAINER RING	COUPLING RING	SEAL	PART NUMBER

THIS DRAWING IS A CONTROLLED DOCUMENT.		DWN D.HARDY 05/23/94	TE Connectivity PLUG ASSEMBLY, STANDARD SEX, SERIES 1, 14-5, CMC			
DIMENSIONS: INCHES		CHK R.STONE 05/26/94				
TOLERANCES UNLESS OTHERWISE SPECIFIED:		APVD -	NAME			
0 PLC ± - 1 PLC ± - 2 PLC ± - 3 PLC ± - 4 PLC ± - ANGLES ± -		PRODUCT SPEC -	APPLICATION SPEC -			
MATERIAL SKT HOUSING: THERMOPLASTIC, BLACK SEAL: FLUROCARBON, ELASTOMER RTNR RING: STAINLESS STEEL CPLG RING: ④ PLUG SHELL: ④		WEIGHT -	SIZE A3	CAGE CODE 00779	DRAWING NO C-208718	RESTRICTED TO -
CUSTOMER DRAWING			SCALE 2:1	SHEET 1 OF 1	REV J2	