



Chipsmall Limited consists of a professional team with an average of over 10 year of expertise in the distribution of electronic components. Based in Hongkong, we have already established firm and mutual-benefit business relationships with customers from,Europe,America and south Asia,supplying obsolete and hard-to-find components to meet their specific needs.

With the principle of “Quality Parts,Customers Priority,Honest Operation,and Considerate Service”,our business mainly focus on the distribution of electronic components. Line cards we deal with include Microchip,ALPS,ROHM,Xilinx,Pulse,ON,Everlight and Freescale. Main products comprise IC,Modules,Potentiometer,IC Socket,Relay,Connector.Our parts cover such applications as commercial,industrial, and automotives areas.

We are looking forward to setting up business relationship with you and hope to provide you with the best service and solution. Let us make a better world for our industry!



Contact us

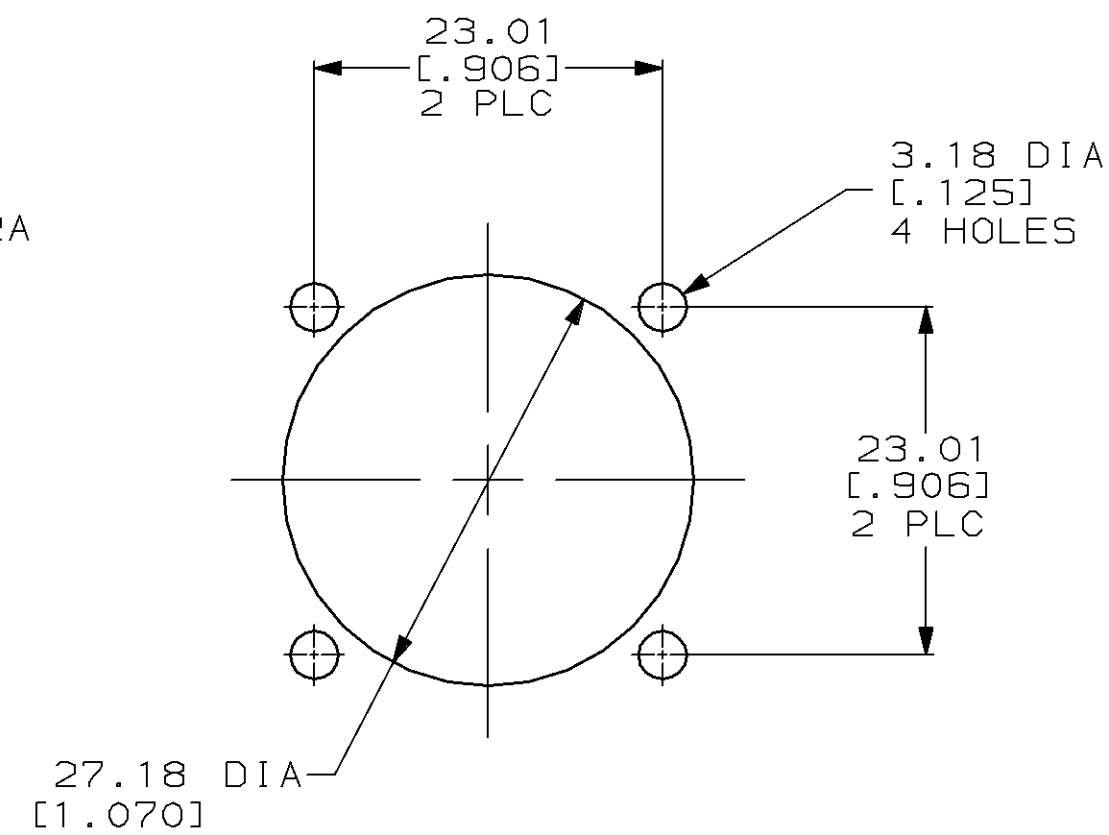
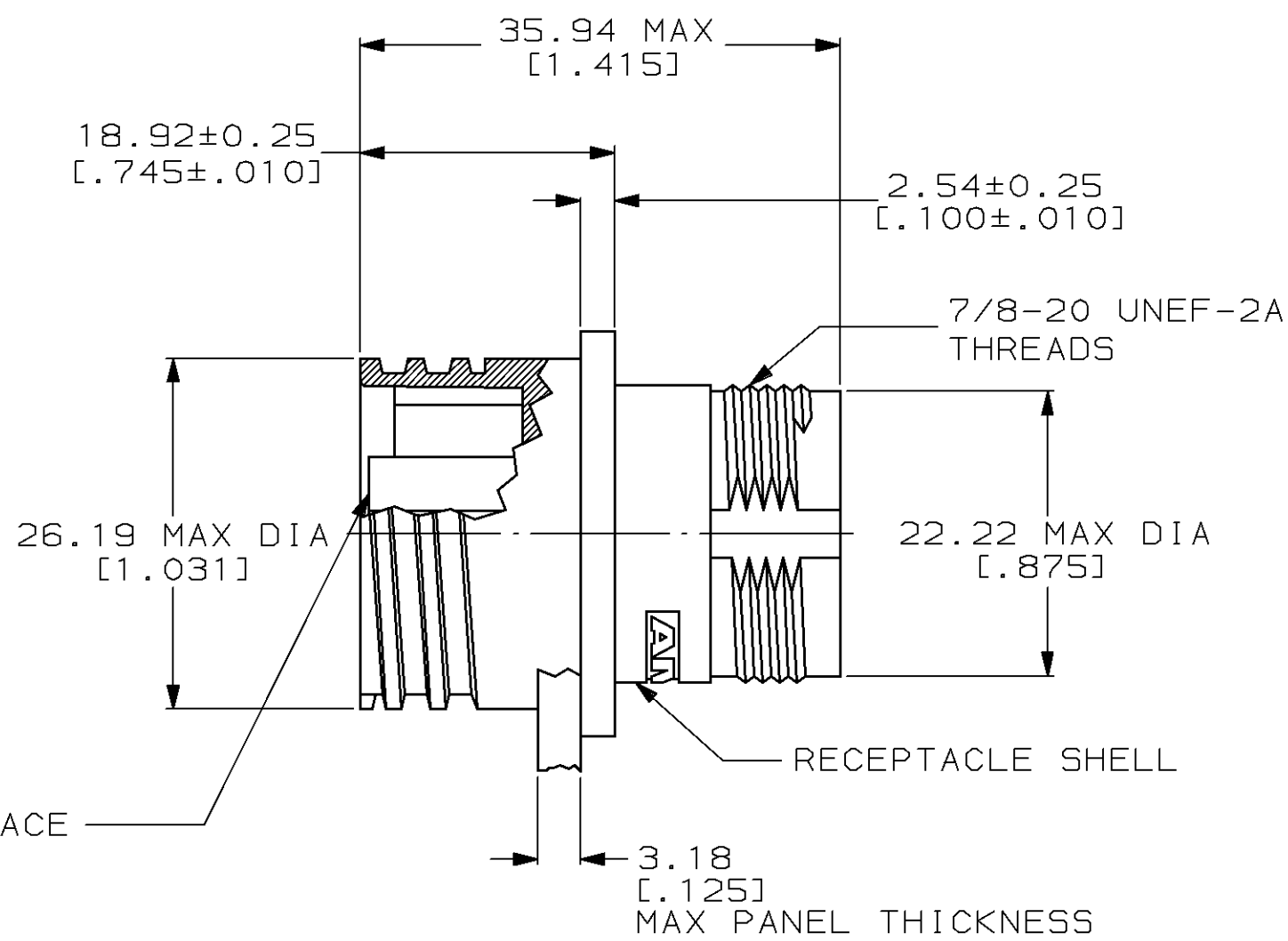
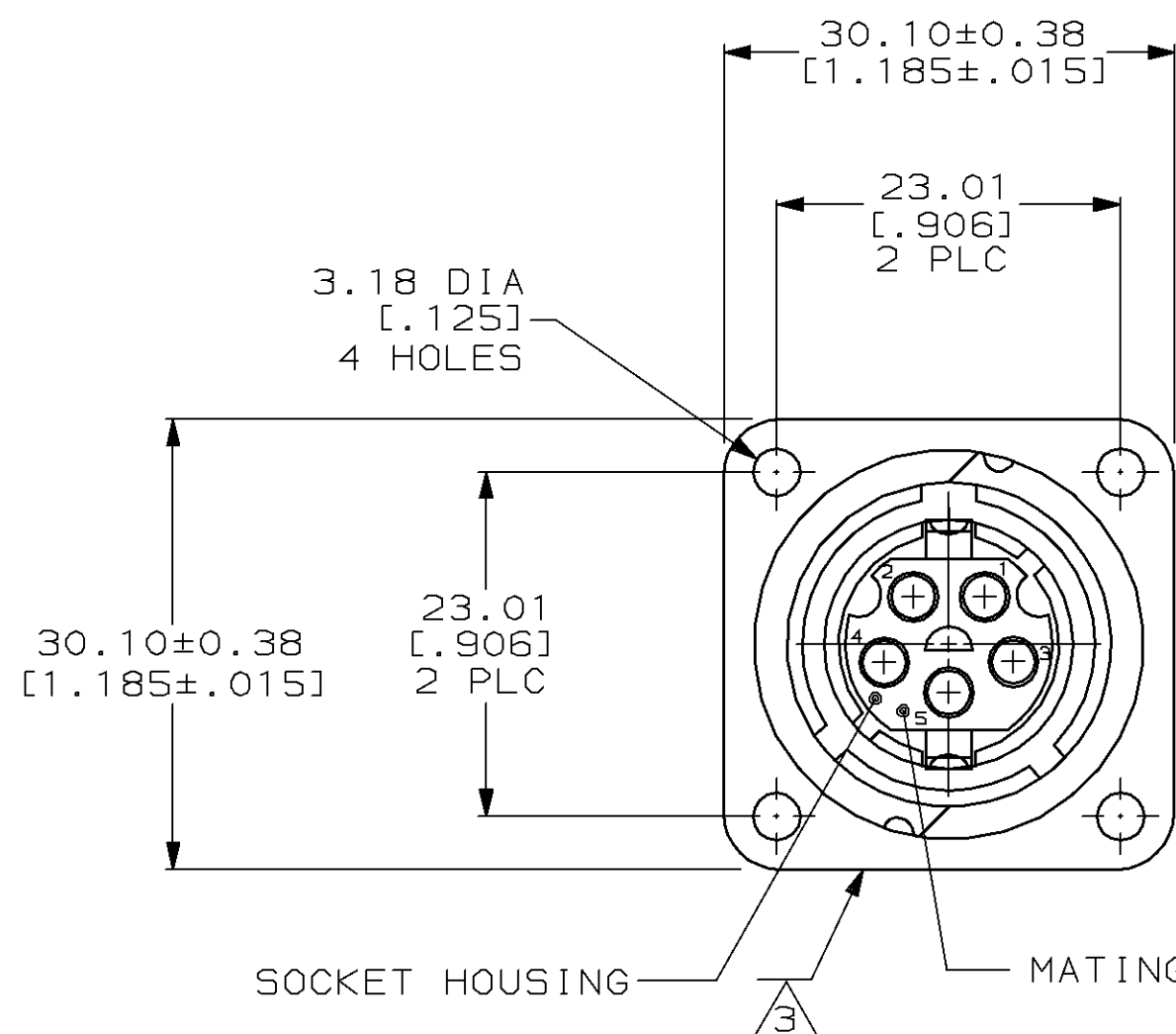
Tel: +86-755-8981 8866 Fax: +86-755-8427 6832

Email & Skype: info@chipsmall.com Web: www.chipsmall.com

Address: A1208, Overseas Decoration Building, #122 Zhenhua RD., Futian, Shenzhen, China



MOD		LOC		DIST		REVISIONS				
ZONE	LTR	DESCRIPTION	DATE	APPD						
4	BD	35	P	F	D	REDRAWN PER EC 0020-774-94	09/15/94	AF		



SUGGESTED PANEL CUTOUT

- THIS CONNECTOR ACCEPTS FIVE (5) SIZE 16 MULTIMATE SOCKET CONTACTS. MAXIMUM WIRE INSULATION DIAMETER = .135
 - THIS CONNECTOR MATES WITH AMP P/N 208720-1.
- ③ AMP P/N & DATE CODE INK STAMPED ON ANY OF THE FOUR SIDE SURFACES.
 - ④ THERMOPLASTIC, BLACK.
 - ⑤ ZINC PER QQ-Z-363.
 - ⑥ NICKEL PER QQ-N-290 OVER COPPER PER MIL-C-14550.

THIS DRAWING IS A CONTROLLED DOCUMENT FOR AMP INCORPORATED. IT IS SUBJECT TO CHANGE AND THE CONTROLLING ENGINEERING ORGANIZATION SHOULD BE CONTACTED FOR THE LATEST REVISION.

DO NOT SCALE PRINT. UNLESS SPECIFIED DIMENSIONS IN mm [INCHES] TOLERANCES ON : 2 PLC DEC ± 0.13 [.005] 3 PLC DEC ± - ANGLES ± -		DR 3/19/82 T. SMITH		AMP Incorporated Harrisburg, PA 17105-3608	
MATERIAL SOCKET HOUSING: ④ RECEPTACLE SHELL: ⑤		CHK 9/26/94 B. LENKER			
FINISH RECEPTACLE SHELL: ⑥		APPD 9/29/94 A. FRANTUM		NAME RECEPTACLE ASSEMBLY, REVERSE SEX, SERIES I, 14-5, CMC	
APPLICATION SPEC		APPD 9/29/94 R. EASTON		SIZE C 00779	
WEIGHT -		PRODUCT SPEC 108-10040		DRAWING NO C=208721	
		SCALE 2:1		SHEET 1 OF 1	