



Chipsmall Limited consists of a professional team with an average of over 10 year of expertise in the distribution of electronic components. Based in Hongkong, we have already established firm and mutual-benefit business relationships with customers from,Europe,America and south Asia,supplying obsolete and hard-to-find components to meet their specific needs.

With the principle of "Quality Parts,Customers Priority,Honest Operation,and Considerate Service",our business mainly focus on the distribution of electronic components. Line cards we deal with include Microchip,ALPS,ROHM,Xilinx,Pulse,ON,Everlight and Freescale. Main products comprise IC,Modules,Potentiometer,IC Socket,Relay,Connector.Our parts cover such applications as commercial,industrial, and automotives areas.

We are looking forward to setting up business relationship with you and hope to provide you with the best service and solution. Let us make a better world for our industry!



Contact us

Tel: +86-755-8981 8866 Fax: +86-755-8427 6832

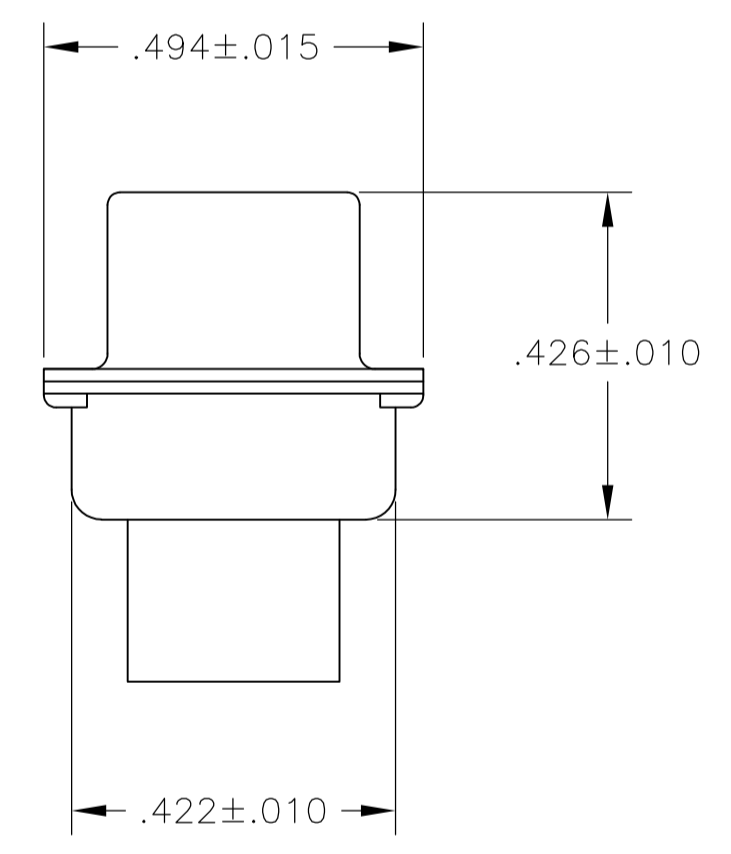
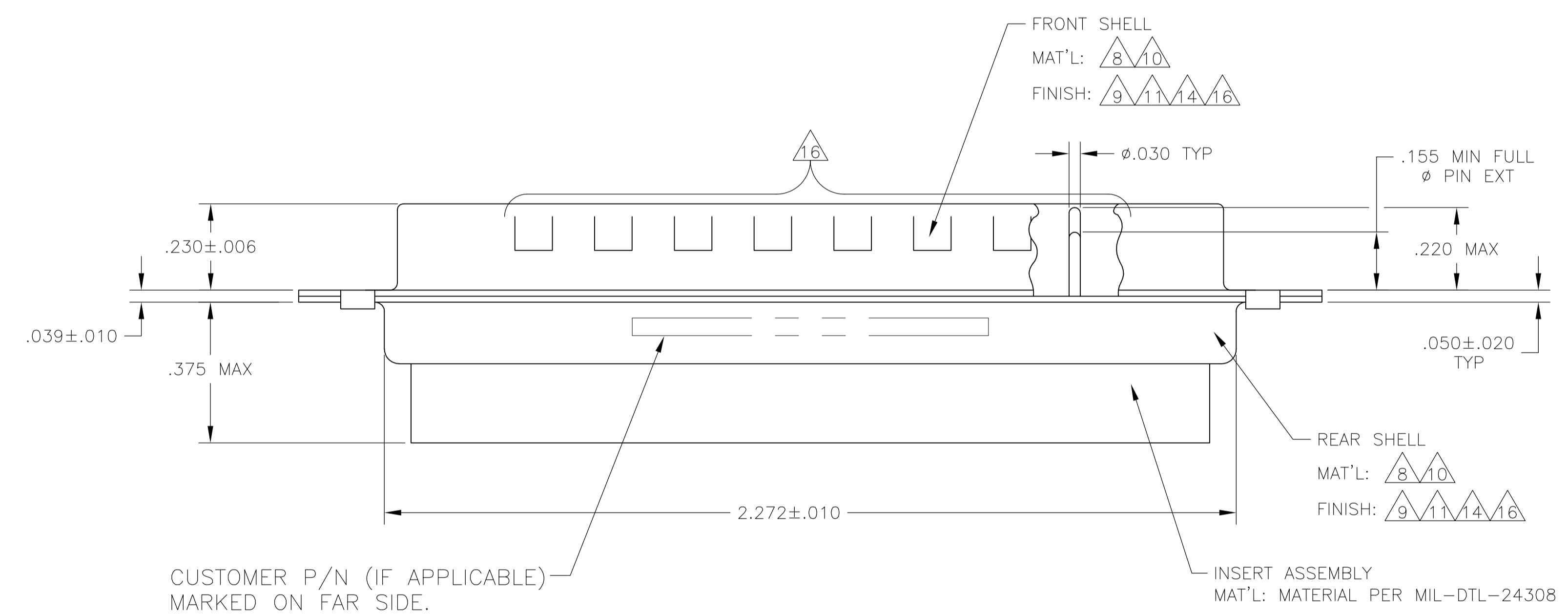
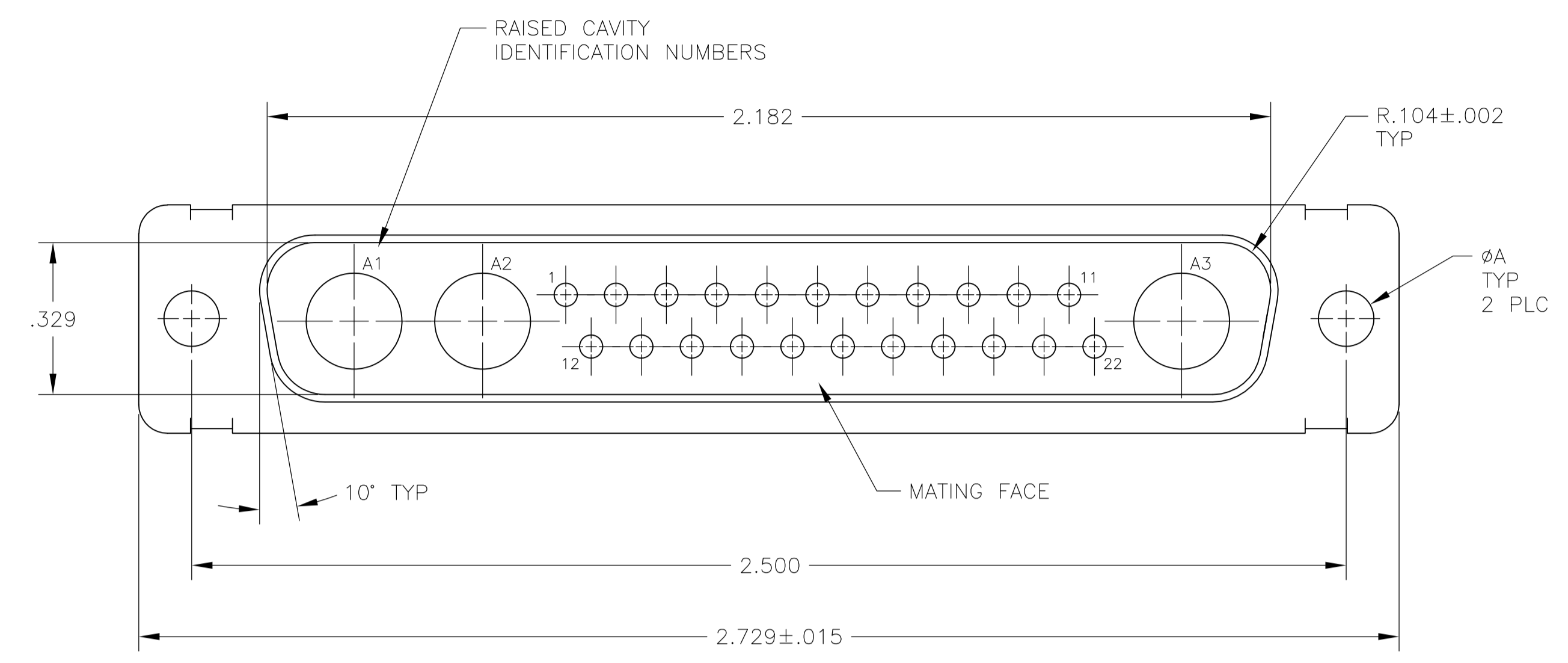
Email & Skype: info@chipsmall.com Web: www.chipsmall.com

Address: A1208, Overseas Decoration Building, #122 Zhenhua RD., Futian, Shenzhen, China



REVISONS		DATE	DN	APVD
LOC	DIST	DESCRIPTION		
N	REVISED PER	ECO-15-016251	13NOV15	KG CD

- THIS PLUG WILL MATE WITH ANY 25C3, SIZE 4 RECEPTACLE IN AMPLIMITE SERIES.
- MAXIMUM WIRE INSULATION TO BE USED WITH THIS PLUG IS $\phi.068$.
- STAINLESS STEEL RETENTION CLIPS ARE INCLUDED IN INSERT ASSEMBLY.
- CONNECTOR SUPPLIED WITHOUT CONTACTS, SHOWN FOR ILLUSTRATION ONLY.
- INSERTION/EXTRACTION TOOL USED FOR SIZE 20 PIN SIGNAL CONTACTS IS 91067-2.
- USE 22 SIZE 20 SIGNAL CONTACTS, MILITARY P/N M39029/64-369, TE/MFG P/N 205089-1 OR ANY OF THE TE PRECISION FORMED SIZE 20 PINS FOR AMPLIMITE CONNECTORS.
- STEEL PER ASTM-A-109.
- CADMIUM PLATED PER QQ-P-416, TYPE II, CLASS 2.
- BRASS PER ASTM-B-36 AND MIL-C-50.
- FINISH: GOLD PLATED PER MIL-G-45204 TYPE II, GRADE C, OVER COPPER PLATE PER MIL-C-14550, CLASS IV.
- COPPER ALLOY RETENTION CLIPS ARE INCLUDED IN INSERT ASSEMBLY.
- USE 22 SIZE 20 SIGNAL CONTACTS, NASA PART NO. G-10-P1, TE/MFG PART NO. 205089-4.
- FINISH: TIN PER ASTM-B-545 .000400 MIN THK OVER COPPER PER AMS2418 .000050 MIN THK.
- GROUNDING INDENTS FOR 208742-4 & 5-208742-4 ONLY.
- FINISH: ZINC PLATE PER ASTM-B-633, .000200-.000400 THK WITH SUPPLEMENTARY CHROMATE (Cr3+)



CUSTOMER P/N (IF APPLICABLE) MARKED ON FAR SIDE.
 MANUFACTURER'S NAME, BRAND OR LOGO AND MANUFACTURER'S PART NO AND DATE CODE MARKED ON NEAR SIDE

REMARKS	CUSTOMER PART NO	ØA	DESCRIPTION	MFG'S PART NO.
8, 15, 14	NOT APPLICABLE	.120	MIL-C-24308 EQUIVALENT	5-208742-4
2, 6, 8, 16	NOT APPLICABLE	.120	MIL-C-24308 EQUIVALENT	5-208742-1
8, 14, 15	NOT APPLICABLE	.120	MIL-C-24308 EQUIVALENT	208742-4
10, 11, 12, 13	311P405-20P-B-15	.154	NON-MAGNETIC NASA QUALIFIED	208742-3
10, 11, 12, 13	311P405-20P-B-12	.120	NON-MAGNETIC NASA QUALIFIED	208742-2
2, 6, 8, 9	NOT APPLICABLE	.120	MIL-C-24308 EQUIVALENT	208742-1

THIS DRAWING IS A CONTROLLED DOCUMENT.

MANUNATH G M 27-May-15
 CHARLES THOMAS 27-May-15
 CHARLES THOMAS 27-May-15

TE Connectivity

PLUG ASSEMBLY
 AMPLIMITE 25C3
 SIZE 4, COAX MIX

APPROVALS: DIMENSIONS, TOLERANCES UNLESS OTHERWISE SPECIFIED, MATERIAL, FINISH, WEIGHT, CUSTOMER DRAWING

SCALE: 4:1 SHEET 1 OF 1 REV N