



Chipsmall Limited consists of a professional team with an average of over 10 year of expertise in the distribution of electronic components. Based in Hongkong, we have already established firm and mutual-benefit business relationships with customers from,Europe,America and south Asia,supplying obsolete and hard-to-find components to meet their specific needs.

With the principle of “Quality Parts,Customers Priority,Honest Operation,and Considerate Service”,our business mainly focus on the distribution of electronic components. Line cards we deal with include Microchip,ALPS,ROHM,Xilinx,Pulse,ON,Everlight and Freescale. Main products comprise IC,Modules,Potentiometer,IC Socket,Relay,Connector.Our parts cover such applications as commercial,industrial, and automotives areas.

We are looking forward to setting up business relationship with you and hope to provide you with the best service and solution. Let us make a better world for our industry!



## Contact us

Tel: +86-755-8981 8866 Fax: +86-755-8427 6832

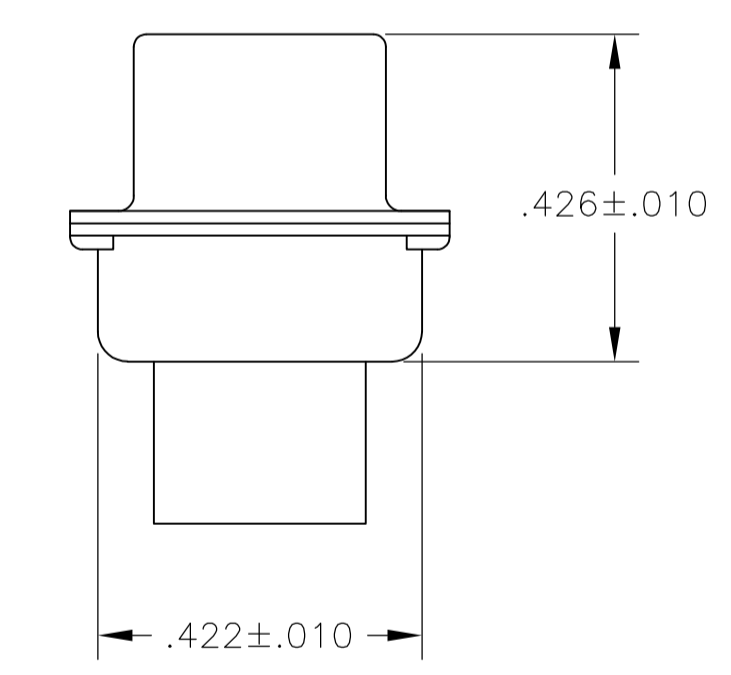
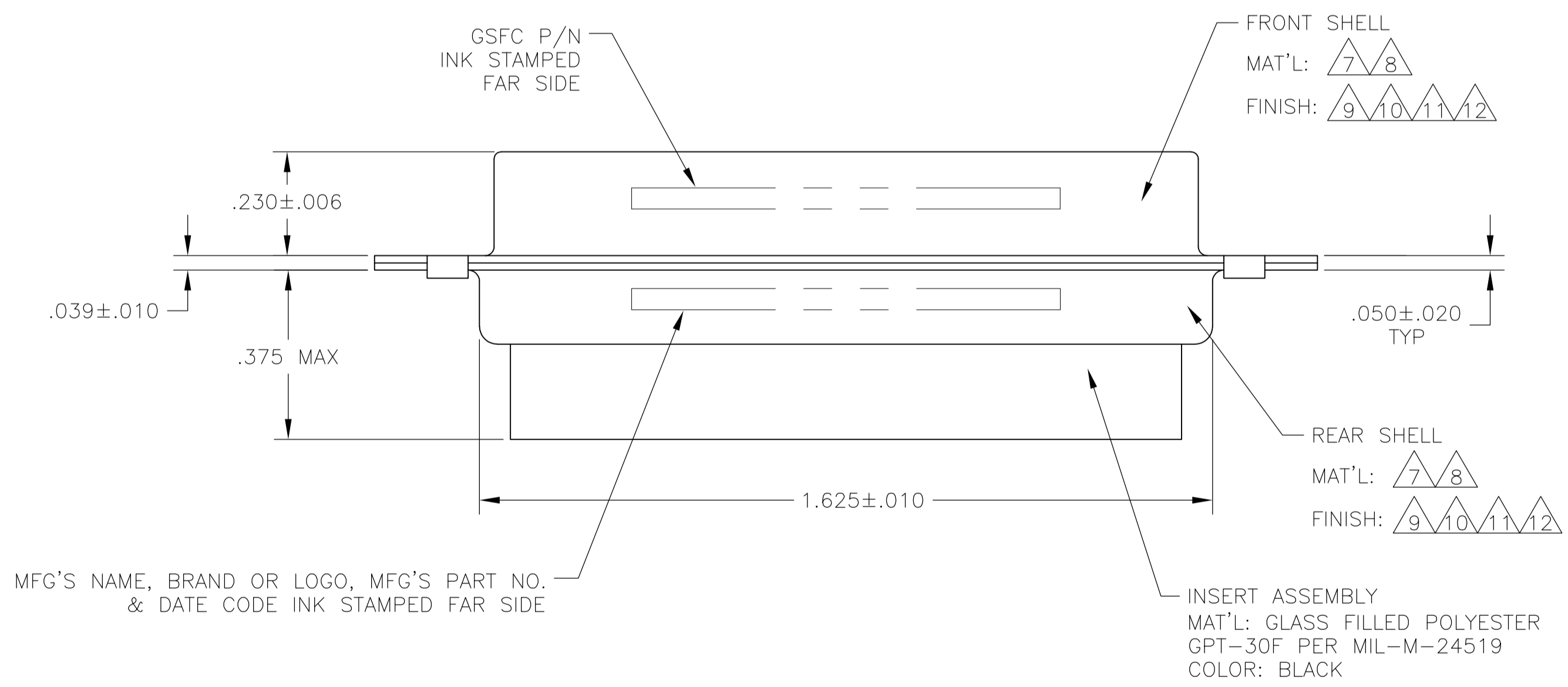
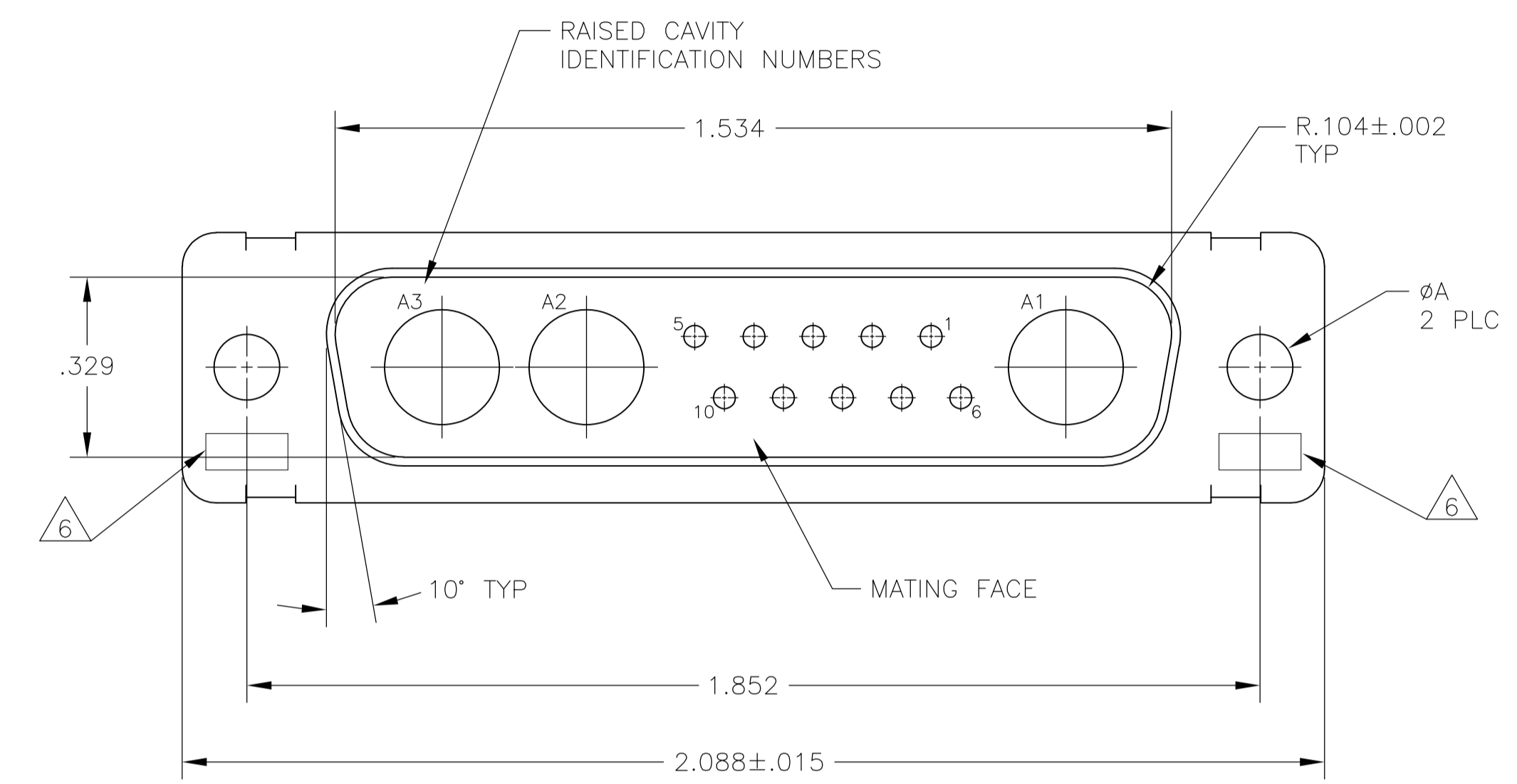
Email & Skype: info@chipsmall.com Web: www.chipsmall.com

Address: A1208, Overseas Decoration Building, #122 Zhenhua RD., Futian, Shenzhen, China



LOC		DIST		REVISIONS			
DF	DO	REV	DATE	DESCRIPTION	DATE	BY	APPV
R		1	16MAR12	REVISED PER ECO-12-004104		PY	RL

- THIS PLUG WILL MATE WITH ANY 13C3, SIZE 3 RECEPTACLE IN AMPLIMITE SERIES.
- MAXIMUM WIRE INSULATION TO BE USED WITH THIS PLUG IS  $\phi.068$ .
- THIS CONNECTOR ACCEPTS (3) POWER 8, OR COAX PIN CONTACTS IN POSITIONS A1 THRU A3, PURCHASED SEPARATELY.
- THIS CONNECTOR ACCEPTS SIZE 20 PIN SIGNAL CONTACTS IN POSITIONS 1 THRU 10, PURCHASED SEPARATELY.
- $\triangle 5$  GROUNDING INDENTS FOR 208810-2 & 5-208810-2 ONLY (NOT SHOWN ON DRAWING).
- $\triangle 6$  UL/CSA DESIGNATION STAMPED IN THIS AREA, OPTIONAL.
- $\triangle 7$  STEEL PER ASTM-A-109.
- $\triangle 8$  BRASS PER MIL-C-50 AND ASTM-B-36 UNS NO. C26000.
- $\triangle 9$  FINISH: TIN PER ASTM-B-545 .000400 MIN THK OVER COPPER PER AMS2418 .000050 MIN THK.
- $\triangle 10$  CADMIUM PLATED PER QQ-P-416.
- $\triangle 11$  FINISH: GOLD PLATED PER MIL-G-45204 TYPE II, GRADE C, CLASS 1 OVER COPPER PER MIL-C-14550, CLASS IV.
- $\triangle 12$  FINISH: ZINC PLATE PER ASTM-B-633, .000200-.000400 THK WITH SUPPLEMENTARY CHROMATE (Cr3+)



REMARKS	ØA	GSFC P/N	MFG'S PART NO.
$\triangle 5 \triangle 7 \triangle 9$	.120	-	5-208810-2
$\triangle 7 \triangle 12$	.120	-	5-208810-1
$\triangle 8 \triangle 11$	.154	311P405-12P-B-15	208810-4
$\triangle 8 \triangle 11$	.120	311P405-12P-B-12	208810-3
$\triangle 5 \triangle 7 \triangle 9$	.120	-	208810-2
$\triangle 7 \triangle 10$	.120	-	208810-1

THIS DRAWING IS A CONTROLLED DOCUMENT.

DIMENSIONS: INCHES	TOLERANCES UNLESS OTHERWISE SPECIFIED:	DIN C.C.THOMAS 04FEB88	APPROVED: A.FMADI 09FEB88	NAME: PLUG ASSEMBLY AMPLIMITE 13C3 SIZE 3, SERIES 109, COAX MIX
0 PLC ± -	1 PLC ± -	2 PLC ± -	3 PLC ± .005(0.13)	4 PLC ± -
ANGLES ± -	± 0°30'	APPLY TO: DIMENSIONS	APPLY TO: DIMENSIONS	APPLY TO: DIMENSIONS
MATERIAL: -	FINISH: -	WEIGHT: -	SIZE: A1	SCALE: 4:1

STE TE Connectivity

CUSTOMER DRAWING