



Chipsmall Limited consists of a professional team with an average of over 10 year of expertise in the distribution of electronic components. Based in Hongkong, we have already established firm and mutual-benefit business relationships with customers from,Europe,America and south Asia,supplying obsolete and hard-to-find components to meet their specific needs.

With the principle of “Quality Parts,Customers Priority,Honest Operation,and Considerate Service”,our business mainly focus on the distribution of electronic components. Line cards we deal with include Microchip,ALPS,ROHM,Xilinx,Pulse,ON,Everlight and Freescale. Main products comprise IC,Modules,Potentiometer,IC Socket,Relay,Connector.Our parts cover such applications as commercial,industrial, and automotives areas.

We are looking forward to setting up business relationship with you and hope to provide you with the best service and solution. Let us make a better world for our industry!



## Contact us

Tel: +86-755-8981 8866 Fax: +86-755-8427 6832

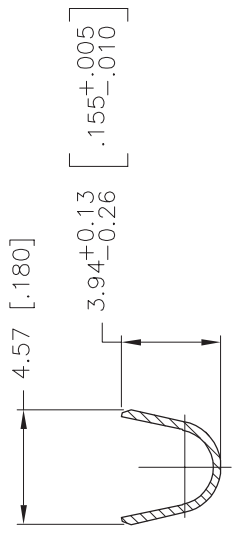
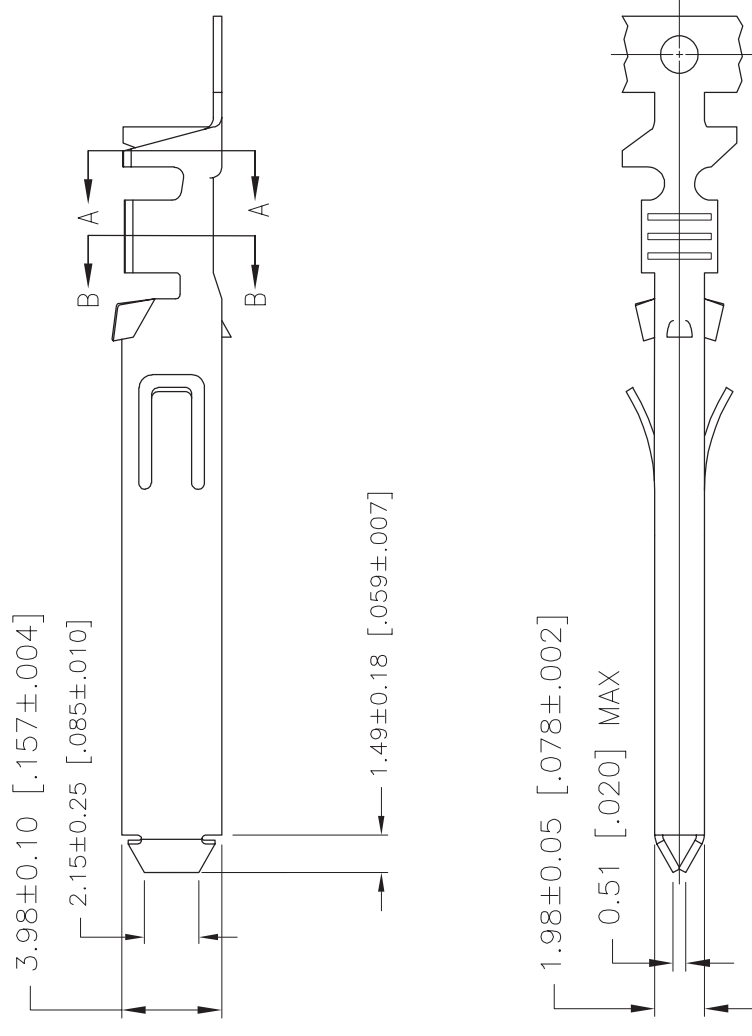
Email & Skype: info@chipsmall.com Web: www.chipsmall.com

Address: A1208, Overseas Decoration Building, #122 Zhenhua RD., Futian, Shenzhen, China

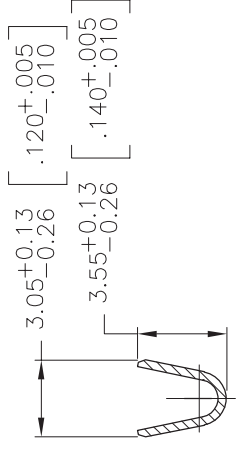


THIS DRAWING IS UNPUBLISHED.  
 BY TYCO ELECTRONICS CORPORATION. ALL RIGHTS RESERVED.

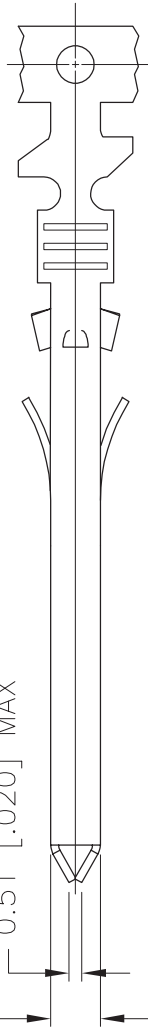
LOC	DIST	REVISIONS	
CM	0	P	LTR
		C1	REVISED PER ECO-05-011422
			DATE
			21OCT05
			DWN
			KW
			DB



SECTION A-A



SECTION B-B



TIN	208914-4
TIN-LEAD	208914-2
FINISH	PART NUMBER

- ACCOMMODATES 14 THRU 18 AWG WIRE INSULATION. RANGE 2.03 - 3.43 [-.080 - .135] DIA.

THIS DRAWING IS A CONTROLLED DOCUMENT.		DWN	26OCT2005	Tyco Electronics Corporation Harrisburg, PA 17105-3608	
DIMENSIONS: mm [INCHES]		CHK	26OCT2005	TIN	
TOLERANCES UNLESS OTHERWISE SPECIFIED:		APVD	26OCT2005	TIN-LEAD	
0 PLC	± -	PRODUCT SPEC		FINISH	
1 PLC	± -	APPLICATION SPEC		PART NUMBER	
2 PLC	± -	WEIGHT		CUSTOMER DRAWING	
3 PLC	± 0.13 [.005]	CAGE CODE DRAWING NO		SCALE	
4 PLC	± - ±0.30'	A3 00779 C=208914		5:1	
FINISH		RESTRICTED TO		REV	
MATERIAL		CONTACT, RECEPTACLE, POWER CORD		1 of 1	
		CUSTOMER DRAWING		C.1	

