



Chipsmall Limited consists of a professional team with an average of over 10 year of expertise in the distribution of electronic components. Based in Hongkong, we have already established firm and mutual-benefit business relationships with customers from,Europe,America and south Asia,supplying obsolete and hard-to-find components to meet their specific needs.

With the principle of “Quality Parts,Customers Priority,Honest Operation,and Considerate Service”,our business mainly focus on the distribution of electronic components. Line cards we deal with include Microchip,ALPS,ROHM,Xilinx,Pulse,ON,Everlight and Freescale. Main products comprise IC,Modules,Potentiometer,IC Socket,Relay,Connector.Our parts cover such applications as commercial,industrial, and automotives areas.

We are looking forward to setting up business relationship with you and hope to provide you with the best service and solution. Let us make a better world for our industry!



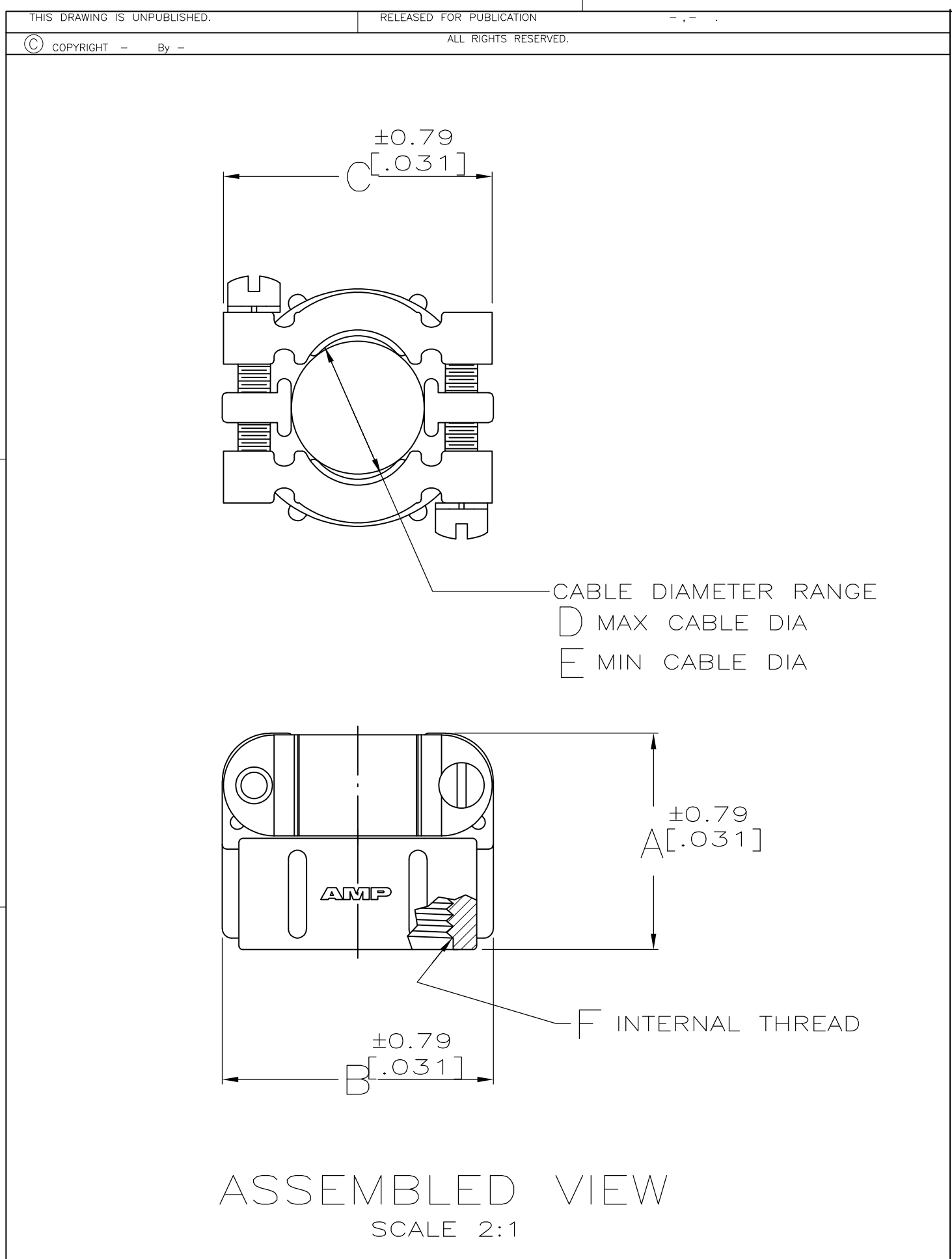
Contact us

Tel: +86-755-8981 8866 Fax: +86-755-8427 6832

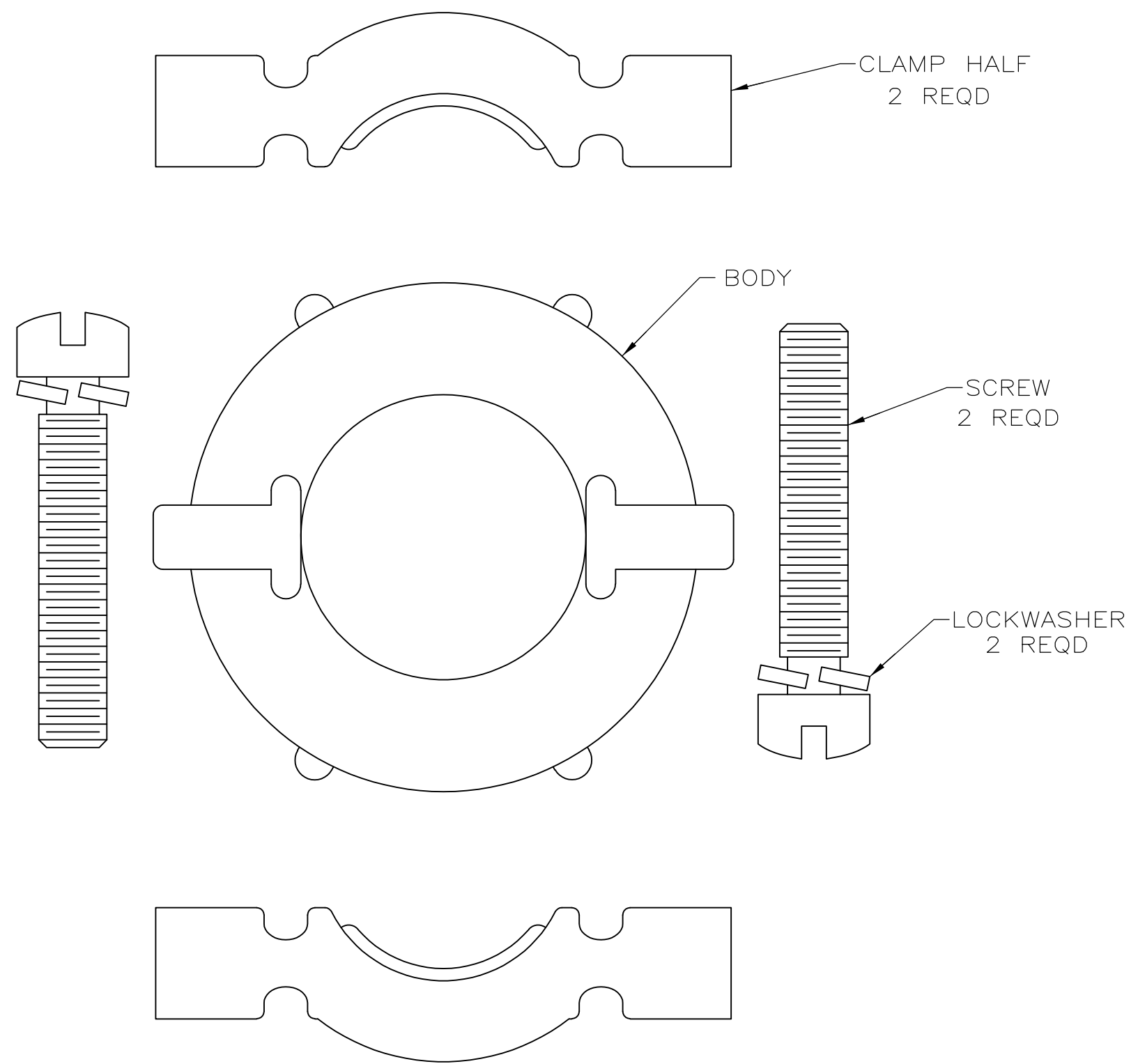
Email & Skype: info@chipsmall.com Web: www.chipsmall.com

Address: A1208, Overseas Decoration Building, #122 Zhenhua RD., Futian, Shenzhen, China





- ① MILITARY CONNECTORS USUALLY DESIGNATE A 3/4-20 THREAD FOR SIZE 14 CONNECTORS AND A 7/8-20 THREAD FOR SIZE 16 CONNECTORS. AMP'S SIZE 14 CONNECTORS WITH A 7/8-20 THREAD IS A DEVIATION FROM THIS STANDARD.
- ② BODY & CLAMPS: NICKEL PLATE.
- ③ BODY & CLAMPS: ZINC ALLOY.
SCREWS & WASHERS: STAINLESS STEEL.
- ④ PACKAGED IN BULK ONLY.
- ⑤ OBSOLETE PARTS: OBSOLETE CIS STREAMLINING PER D.RENAUD/D.SINISI



④	⑤	OBSOLETE	1	7/16-18UNEF-3B	11.43 [.450]	17.48 [.688]	42.88 [1.688]	43.10 [1.697]	26.19 [1.031]	28	1-208945-0
⑤		OBSOLETE	1	7/16-18UNEF-3B	11.43 [.450]	17.48 [.688]	42.88 [1.688]	43.10 [1.697]	26.19 [1.031]	28	-208945-9
			1	7/16-18UNEF-3B	11.43 [.450]	23.83 [.938]	42.88 [1.688]	43.10 [1.697]	26.19 [1.031]	28	208945-8
			1	3/16-18UNEF-3B	8.26 [.325]	19.05 [.750]	37.31 [1.469]	36.37 [1.432]	23.83 [.938]	22	208945-7
		①	1	7/8-20UNEF-3B	5.72 [.225]	14.27 [.562]	29.59 [1.165]	29.85 [1.175]	23.83 [.938]	14	208945-5
				F	E	D	C	B	A	SHELL SIZE	PART NO

THIS DRAWING IS A CONTROLLED DOCUMENT.

DWN W.G.LENKER 05/18/92
 CHK R.STONE 6-1-92
 APVD K.BEAVER 6-3-92

TE Connectivity

CABLE CLAMP KIT, UNASSEMBLED, CMC

SIZE A2 CAGE CODE 00779 DRAWING NO G-208945 RESTRICTED TO

MATERIAL ③ FINISH ② WEIGHT -

CUSTOMER DRAWING SCALE 4:1 SHEET 1 of 1 REV K2