



Chipsmall Limited consists of a professional team with an average of over 10 year of expertise in the distribution of electronic components. Based in Hongkong, we have already established firm and mutual-benefit business relationships with customers from,Europe,America and south Asia,supplying obsolete and hard-to-find components to meet their specific needs.

With the principle of "Quality Parts,Customers Priority,Honest Operation,and Considerate Service",our business mainly focus on the distribution of electronic components. Line cards we deal with include Microchip,ALPS,ROHM,Xilinx,Pulse,ON,Everlight and Freescale. Main products comprise IC,Modules,Potentiometer,IC Socket,Relay,Connector.Our parts cover such applications as commercial,industrial, and automotives areas.

We are looking forward to setting up business relationship with you and hope to provide you with the best service and solution. Let us make a better world for our industry!



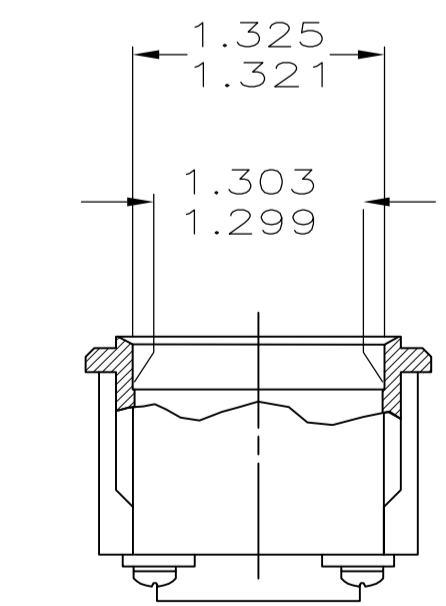
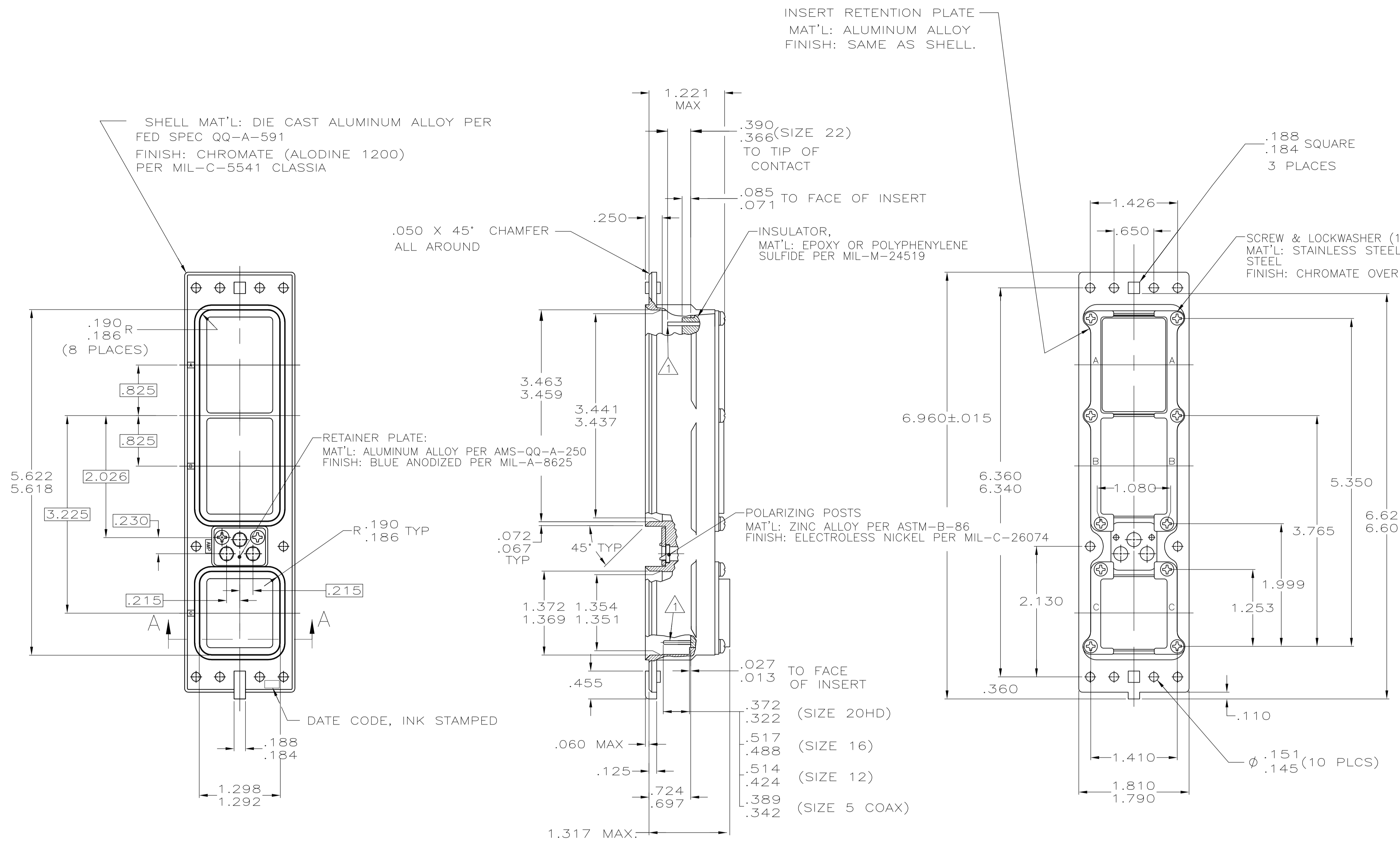
Contact us

Tel: +86-755-8981 8866 Fax: +86-755-8427 6832

Email & Skype: info@chipsmall.com Web: www.chipsmall.com

Address: A1208, Overseas Decoration Building, #122 Zhenhua RD., Futian, Shenzhen, China





SECTION A-A
PARTIAL

- CONTACTS ARE SHOWN IN POSITION FOR ILLUSTRATION ONLY. FOR SHIPMENT, CONTACTS ARE INCLUDED IN A CONTAINER WITHIN THE CONNECTOR PACKAGE.
 - ALL CONTACT CAVITIES IN MODULES "A" & "B" ARE LOCATED WITHIN .006 DIA. TRUE POSITION. ALL CONTACT CAVITIES IN MODULE "C" ARE LOCATED WITHIN .020 DIA TRUE POSITION.
 - COAX CONTACTS NOT SUPPLIED IN KITS. MUST BE ORDERED SEPARATELY.
 - POLARIZING KEYS SHOWN IN POSITION "01" FOR ILLUSTRATION ONLY- CONNECTORS SHIPPED WITH KEYING PER ORDERING INSTRUCTIONS. CONTACT INSERTS AS SHOWN FOR ILLUSTRATION ONLY- SEE TABLE FOR DESCRIPTIVE NUMBER.
- INSERT MATERIAL: DIE CAST ALUMINUM PER ASTM-B-85

PRELIMINARY NOT RELEASED FOR PRODUCTION	NIC66G23A05SF1	2-208970-8
PRELIMINARY NOT RELEASED FOR PRODUCTION	NIC66G23A05AA1	2-208970-7
-	NIC66G21A03AA0	2-208970-6
(G21A29CC1) W/DUST CAP	SPECIAL	2-208970-5
-	NIC66G21A05CC0	2-208970-4
-	NIC66G21A01CC0	2-208970-3
-	NIC66G21A02CC0	2-208970-2
C4/150/13C2 WITH CONTACTS & COAX	SPECIAL	2-208970-1
-	ADVANCED PART NUMBER	2-208970-0
-	SPECIAL	1-208970-9
-	NIC66G21A01SC1	1-208970-8
-	NIC66G21A19AA0	1-208970-7
-	NIC66G26A01AA0	1-208970-6
-	NIC66G51A01AA0	1-208970-5
-	NIC66G21A00AA0	1-208970-4
-	NIC66G21A02AA0	1-208970-3
-	NIC66G21A02AA1	1-208970-2
-	NIC66G21A01CA0	1-208970-1
-	NIC66G21A09CC0	1-208970-0
-	-	208970-9
BLANK/150/13C2 WITH CONTACTS	NIC66G51A01AA0	208970-8
-	ADVANCED PART NUMBER	208970-7
-	NIC66G21A01CC1	208970-6
-	NIC66G21A01BA1	208970-5
-	NIC66G21A01AA1	208970-4
-	NIC66G21A01SB1	208970-3
-	NIC66G21A01AC0	208970-2
-	NIC66G21A01AA0	208970-1
REMARKS	DESCRIPTIVE NUMBER	PART NUMBER

THIS DRAWING IS A CONTROLLED DOCUMENT.

DIMENSIONS: INCHES
 TOLERANCES UNLESS OTHERWISE SPECIFIED:
 0 PLC ± -
 1 PLC ± -
 2 PLC ± -
 3 PLC ± .005
 4 PLC ± -
 ANGLES ± -

MATERIAL: SEE CALLOUTS
 FINISH: SEE CALLOUTS

WEIGHT: -
 SCALE: 1:1
 SHEET: 1 OF 1
 REV: S1

THIS DRAWING IS A CONTROLLED DOCUMENT.
 C.C. THOMAS 4-23-01
 S. GLATFELTER 4-23-01
 S. GLATFELTER 4-23-01
 PRODUCT SPEC
 APPLICATION SPEC
 SIZE: A1
 CAGE CODE: 00779
 DRAWING NO: 208970
 CUSTOMER DRAWING
 SCALE: 1:1
 SHEET: 1 OF 1
 REV: S1

STE TE Connectivity
 RECEPTACLE ASSY, SIZE 2, CLASS A, ARINC 600