



Chipsmall Limited consists of a professional team with an average of over 10 year of expertise in the distribution of electronic components. Based in Hongkong, we have already established firm and mutual-benefit business relationships with customers from,Europe,America and south Asia,supplying obsolete and hard-to-find components to meet their specific needs.

With the principle of “Quality Parts,Customers Priority,Honest Operation,and Considerate Service”,our business mainly focus on the distribution of electronic components. Line cards we deal with include Microchip,ALPS,ROHM,Xilinx,Pulse,ON,Everlight and Freescale. Main products comprise IC,Modules,Potentiometer,IC Socket,Relay,Connector.Our parts cover such applications as commercial,industrial, and automotives areas.

We are looking forward to setting up business relationship with you and hope to provide you with the best service and solution. Let us make a better world for our industry!



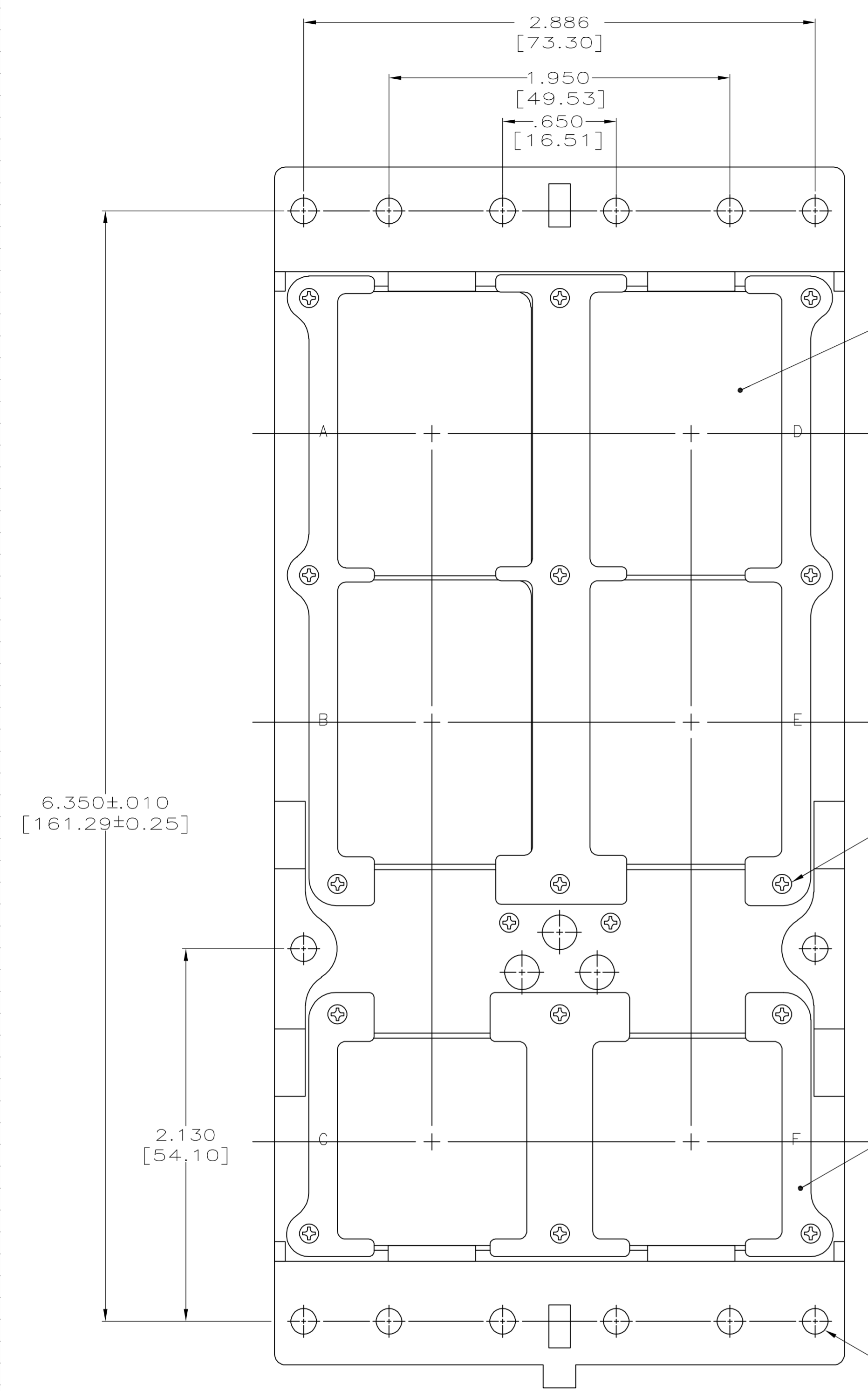
Contact us

Tel: +86-755-8981 8866 Fax: +86-755-8427 6832

Email & Skype: info@chipsmall.com Web: www.chipsmall.com

Address: A1208, Overseas Decoration Building, #122 Zhenhua RD., Futian, Shenzhen, China





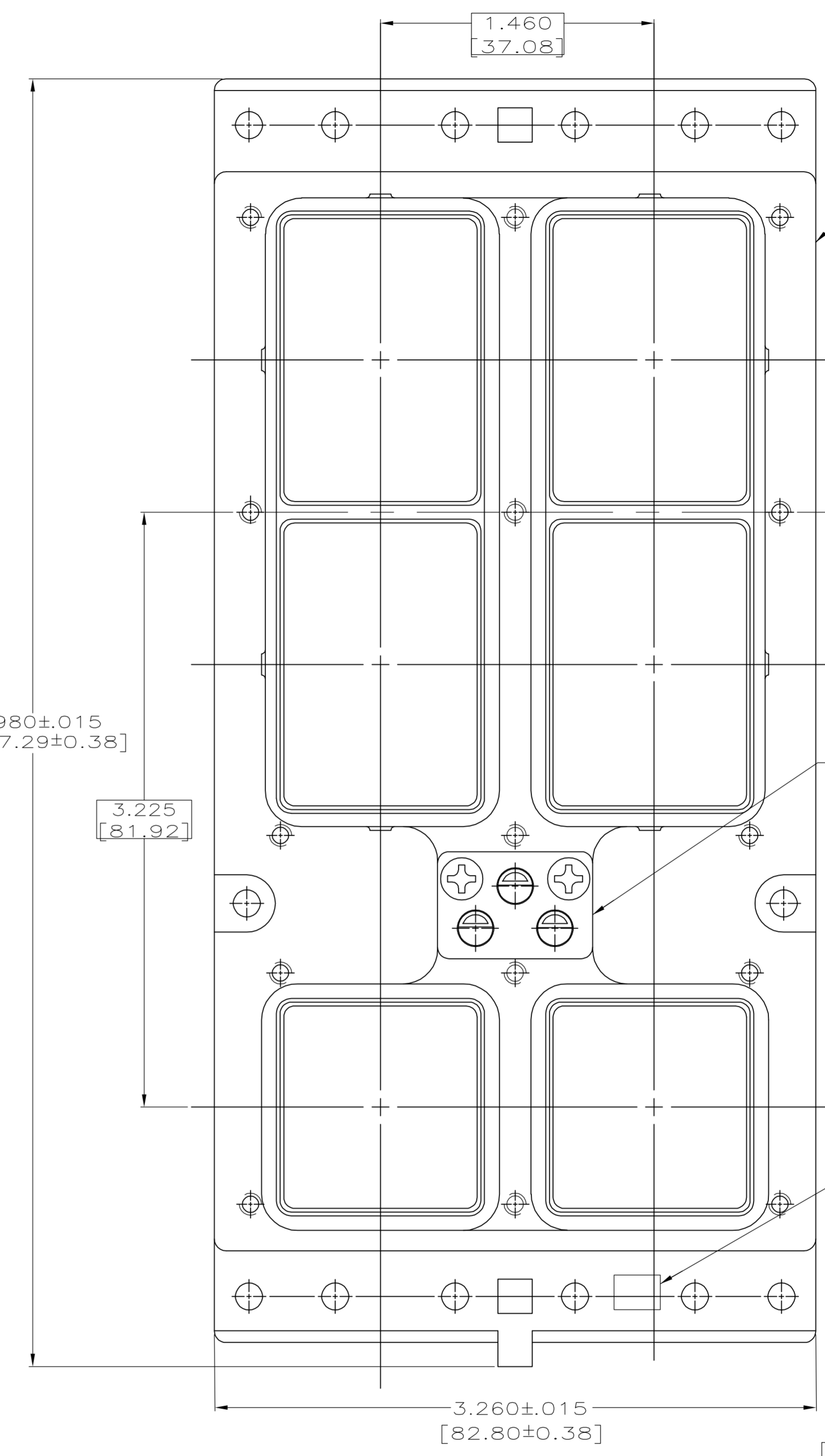
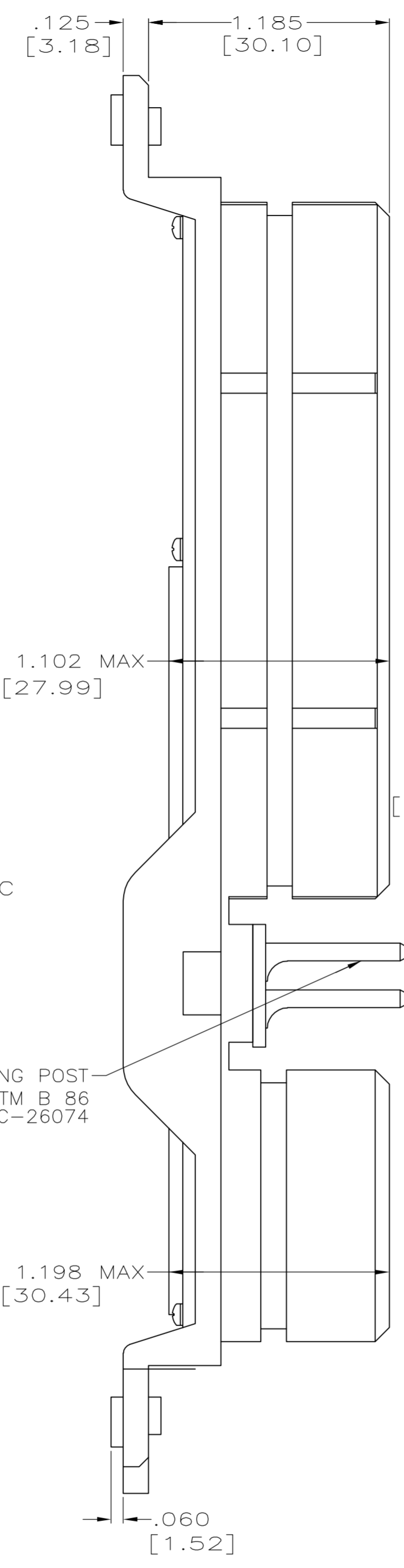
INSERT ASSY, TYP
 MAT'L: EPOXY PER MIL-M-24325

#4-40 SCREW & LOCKWASHER
 MAT'L: STEEL
 FINISH: CHROMATE OVER ZINC
 15 PLACES

POLARIZING POST
 MAT'L: ZINC ALLOY PER ASTM B 86
 FINISH: ELECTROLESS NICKEL PER MIL-C-26074

INSERT RETENTION PLATES
 MATERIAL: ALUMINUM ALLOY
 FINISH: CHEMICAL CONVERSION
 PER MIL-C-5541 CLASS 1A

Ø .148±.003
 [3.76±0.08]
 14 PLC



SHELL,
 MAT'L: ALUMINUM ALLOY PER
 ASTM-B-85
 FINISH: CHEMICAL CONVERSION PER
 MIL-C-5541 CLASS 1A

RETAINER PLATE
 MAT'L: ALUMINUM ALLOY PER AMS-QQ-A-250
 FINISH: BLUE ANODIZED PER MIL-A-8625

DATE CODE MARKED
 IN THIS AREA

- CONTACTS ARE INCLUDED IN A CONTAINER WITHIN THE CONNECTOR PACKAGE WHEN CONNECTOR IS ORDERED WITH CONTACTS.
- COAX CONTACTS NOT SUPPLIED IN KIT. MUST BE ORDERED SEPARATELY.
- POLARIZING KEYS SHOWN IN POSITION 01 FOR ILLUSTRATION ONLY. CONNECTORS SHIPPED WITH KEYING PER ORDERING INSTRUCTIONS.

NIC66K34A01AA0	208976-8
NIC66K32A01AA0	208976-7
NIC66K33A01AA0	208976-6
NIC66K31A00AA0	208976-5
NOT RELEASED	208976-4
NIC66K31A01AA1	208976-3
NIC66K33A01AA1	208976-2
NIC66K31A01AA0	208976-1
DESCRIPTIVE NUMBER	PART NUMBER

THIS DRAWING IS A CONTROLLED DOCUMENT.

DIMENSIONS: INCHES	TOLERANCES UNLESS OTHERWISE SPECIFIED:	DWN: C.C.THOMAS 2-15-99	APVD: S.GLATFELTER 2-17-99	NAME: S.GLATFELTER	TYCO Electronics	Tyco Electronics Corporation Harrisburg, Pa 17105-3608
0 PLC ± -	1 PLC ± -	2 PLC ± -	3 PLC ± .005 [0.13]	4 PLC ± -	PRODUCT SPEC	PLUG ASSY, SIZE 3, CLASS A, ARINC 600
ANGLES ± -	FINISH SEE CALLOUTS	WEIGHT -	SIZE: A1	DWG NO: 00779	SCALE: 2:1	SHEET 1 OF 1
MATERIAL SEE CALLOUTS	REVISIONS	CUSTOMER DRAWING	REV: J	DATE: 21DEC05	BY: PY	APPROVED: SG