



Chipsmall Limited consists of a professional team with an average of over 10 year of expertise in the distribution of electronic components. Based in Hongkong, we have already established firm and mutual-benefit business relationships with customers from,Europe,America and south Asia,supplying obsolete and hard-to-find components to meet their specific needs.

With the principle of “Quality Parts,Customers Priority,Honest Operation,and Considerate Service”,our business mainly focus on the distribution of electronic components. Line cards we deal with include Microchip,ALPS,ROHM,Xilinx,Pulse,ON,Everlight and Freescale. Main products comprise IC,Modules,Potentiometer,IC Socket,Relay,Connector.Our parts cover such applications as commercial,industrial, and automotives areas.

We are looking forward to setting up business relationship with you and hope to provide you with the best service and solution. Let us make a better world for our industry!



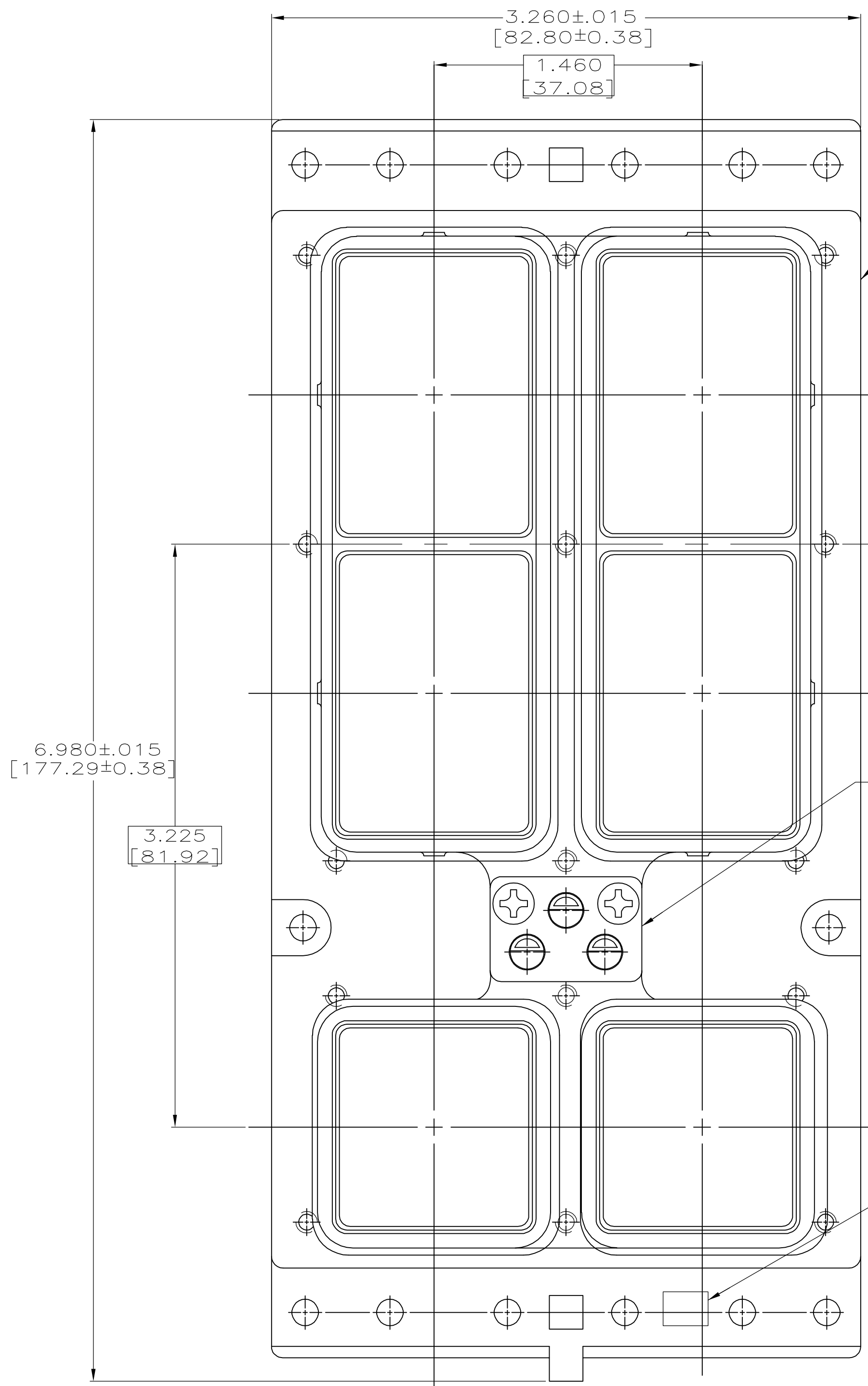
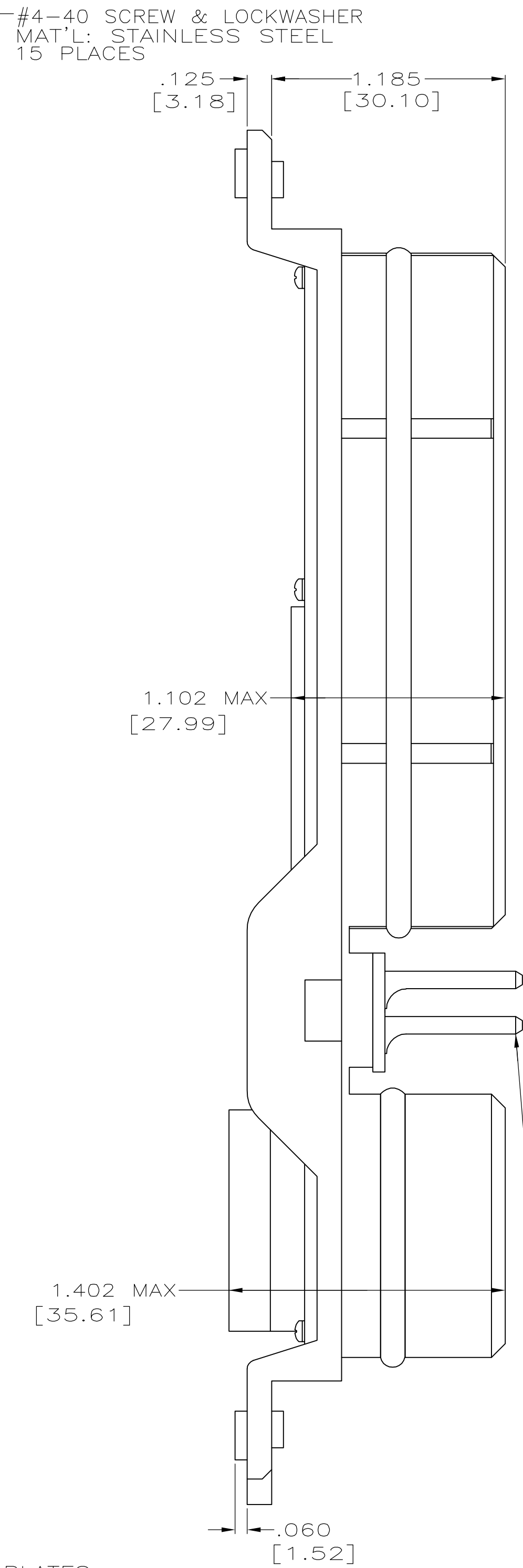
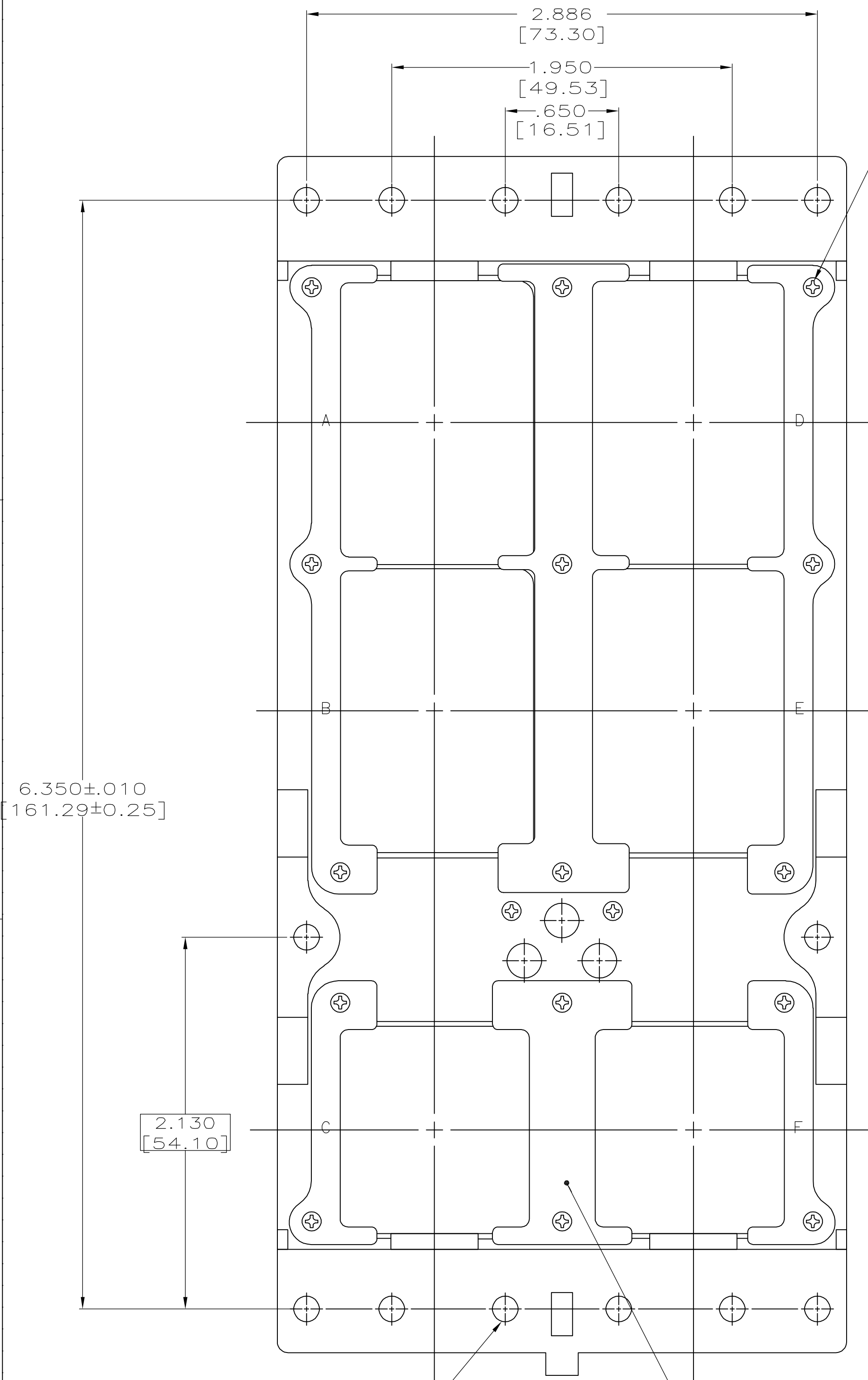
## Contact us

Tel: +86-755-8981 8866 Fax: +86-755-8427 6832

Email & Skype: info@chipsmall.com Web: www.chipsmall.com

Address: A1208, Overseas Decoration Building, #122 Zhenhua RD., Futian, Shenzhen, China





SHELL,  
 MAT'L: ALUMINUM ALLOY PER  
 ASTM-B-85  
 FINISH: CHEMICAL CONVERSION  
 PER MIL-C-5541, CLASS 1A

RETAINER PLATE  
 MAT'L: ALUMINUM ALLOY PER AMS-QQ-A-250  
 FINISH: BLUE ANODIZED PER MIL-A-8625

DATE CODE MARKED  
 IN THIS AREA

φ .148±.003 [3.76±0.08]  
 14 PLC  
 INSERT RETENTION PLATES  
 MATERIAL: ALUMINUM ALLOY  
 FINISH: CHEMICAL CONVERSION  
 PER MIL-C-5541 CLASS 1A

POLARIZING POST  
 MAT'L: ZINC ALLOY PER ASTM B 86  
 FINISH: ELECTROLESS NICKEL PER MIL-C-26074

- CONTACTS ARE INCLUDED IN A CONTAINER WITHIN THE CONNECTOR PACKAGE WHEN CONNECTOR IS ORDERED WITH CONTACTS.
- COAX CONTACTS NOT SUPPLIED IN KIT. MUST BE ORDERED SEPARATELY.
- POLARIZING KEYS SHOWN IN POSITION 01 FOR ILLUSTRATION ONLY. CONNECTORS SHIPPED WITH KEYING PER ORDERING INSTRUCTIONS.

-	-	1-208977-0
-	-	208977-9
-	NIC66K31B01BA0	208977-8
BACC66K34C01	NIC66K34C01AA1	208977-7
-	-	208977-6
NOT RELEASED	BACC66K31C01	NIC66K31C01AA1
BACC66K33C01	NIC66K33C01AA1	208977-5
-	NIC66K31B01AA1	208977-4
-	NIC66K31B01AA1	208977-3
-	NIC66K33B01AA1	208977-2
-	NIC66K31B01AA0	208977-1
BOEING NUMBER	DESCRIPTIVE NUMBER	PART NUMBER

THIS DRAWING IS A CONTROLLED DOCUMENT. DWN C.C.THOMAS 2-15-99  
 CHK S.GLATFELTER 2-17-99  
 APVD S.GLATFELTER 2-17-99

**tyco**  
 Electronics  
 Tyco Electronics Corporation  
 Harrisburg, Pa 17105-3608

NAME PLUG ASSY, SIZE 3, CLASS B  
 SEALED, ARINC 600

PRODUCT SPEC  
 APPLICATION SPEC

SIZE CAGE CODE DRAWING NO RESTRICTED TO  
 A1 00779 ©=208977 -

CUSTOMER DRAWING SCALE 2:1 SHEET 1 OF 1 REV G