



Chipsmall Limited consists of a professional team with an average of over 10 year of expertise in the distribution of electronic components. Based in Hongkong, we have already established firm and mutual-benefit business relationships with customers from,Europe,America and south Asia,supplying obsolete and hard-to-find components to meet their specific needs.

With the principle of “Quality Parts,Customers Priority,Honest Operation,and Considerate Service”,our business mainly focus on the distribution of electronic components. Line cards we deal with include Microchip,ALPS,ROHM,Xilinx,Pulse,ON,Everlight and Freescale. Main products comprise IC,Modules,Potentiometer,IC Socket,Relay,Connector.Our parts cover such applications as commercial,industrial, and automotives areas.

We are looking forward to setting up business relationship with you and hope to provide you with the best service and solution. Let us make a better world for our industry!



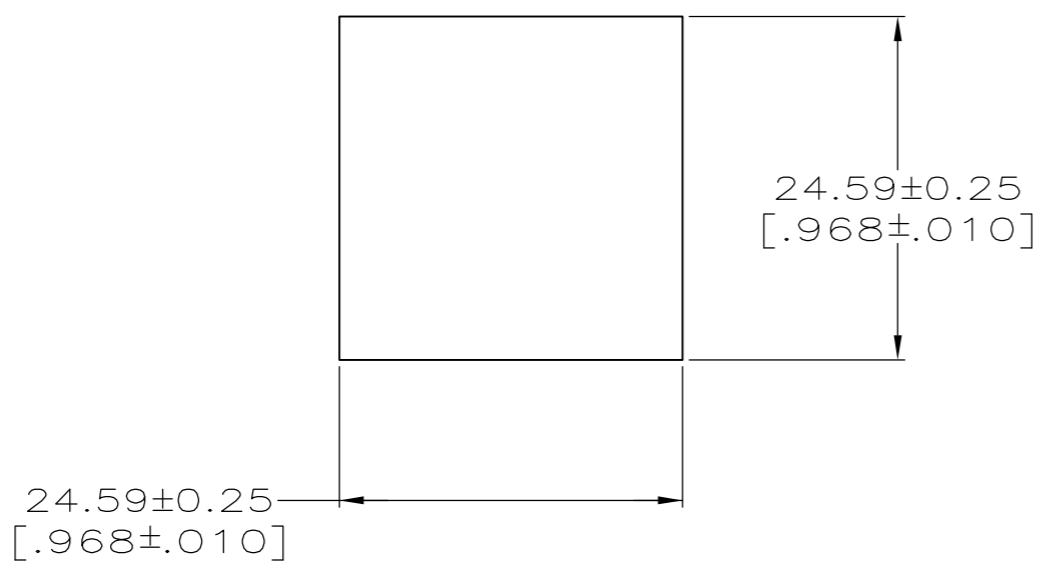
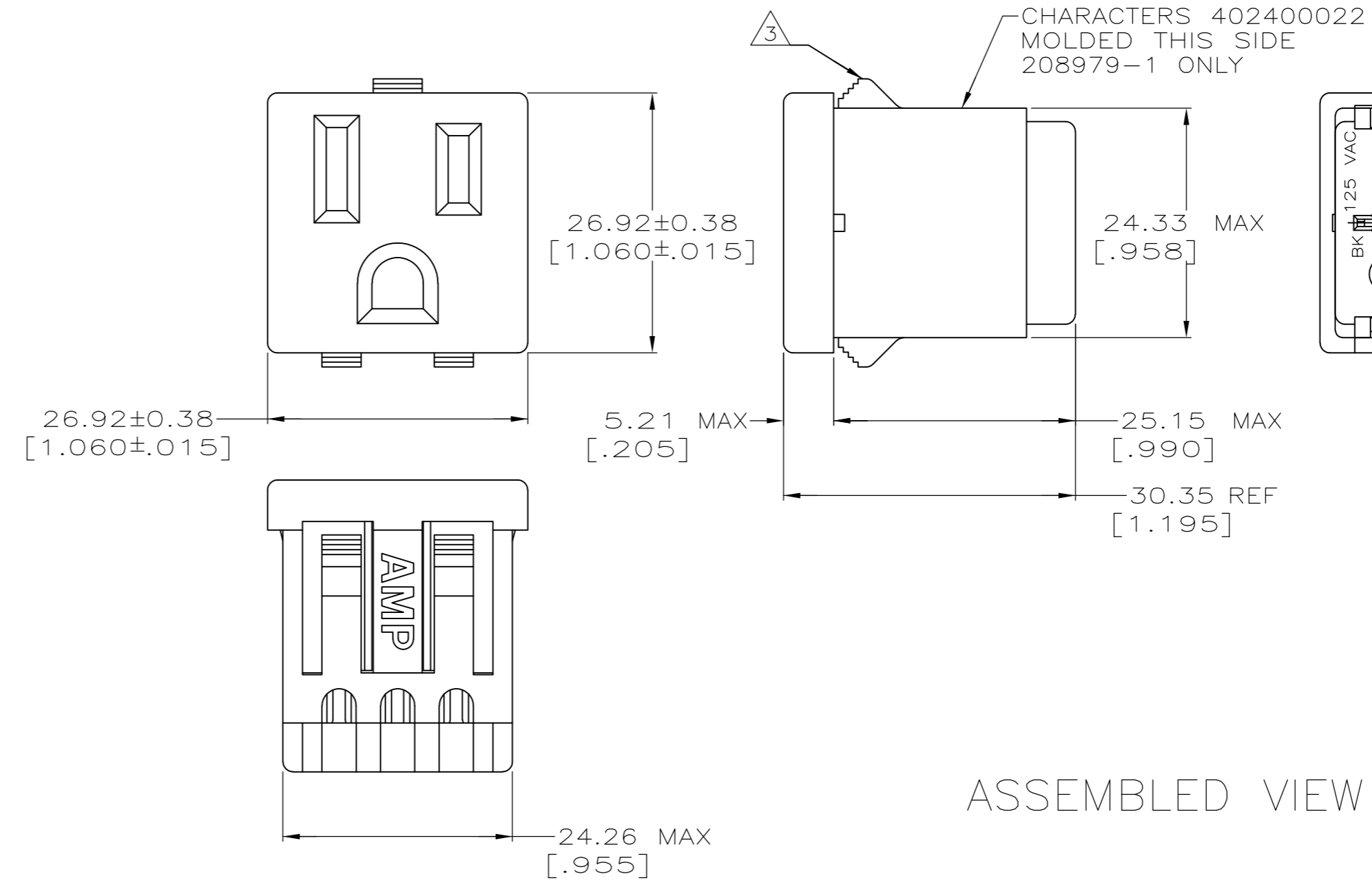
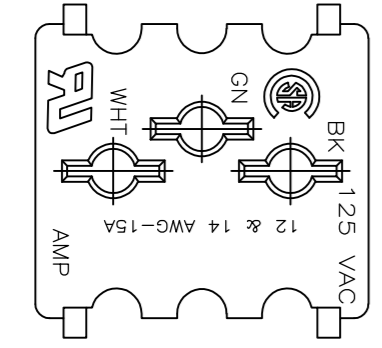
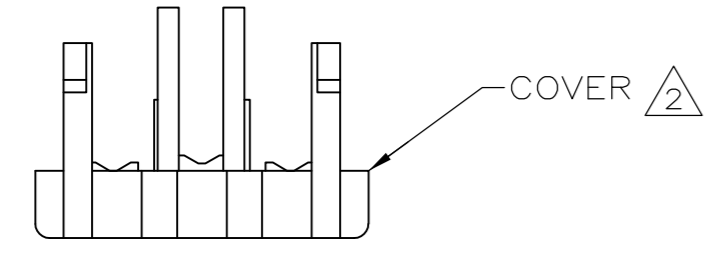
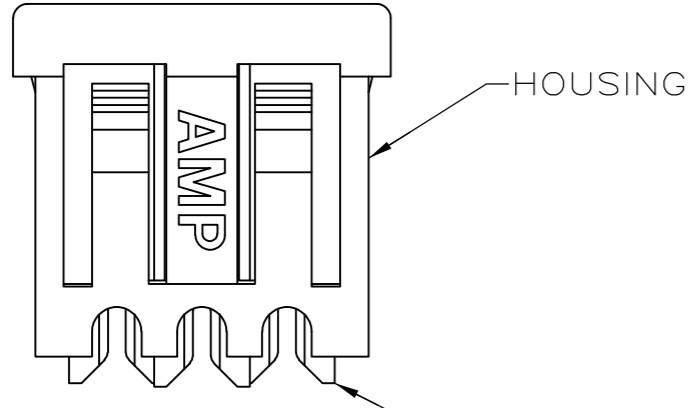
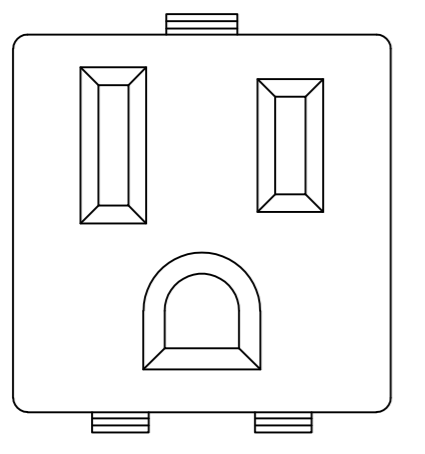
Contact us

Tel: +86-755-8981 8866 Fax: +86-755-8427 6832

Email & Skype: info@chipsmall.com Web: www.chipsmall.com

Address: A1208, Overseas Decoration Building, #122 Zhenhua RD., Futian, Shenzhen, China





RECOMMENDED PANEL CUTOUT

- CONTACTS TO ACCEPT 14 AWG AND 12 AWG SOLID COPPER WIRE OR 14 AWG STRANDED WIRE WHEN USED WITH AMP 205 SERIES FASTON™ TAB.
- COVER PACKAGED UNASSEMBLED.
- SNAP IN FEATURE ACCOMODATES 0.76-1.78 [.030-.070] PANEL THICKNESS ONLY.
- ALL HOUSINGS AND COVERS ARE UL 94V-2 RATED UNLESS OTHERWISE SPECIFIED.
- UL 94V-0 RATED HOUSING AND COVER.

ASSEMBLED VIEW

OBSOLETE	-	1-208979-5
	PUTTY WHITE	1-208979-4
OBSOLETE	BLACK	5 1-208979-3
	ORANGE	1-208979-2
	GRAY	1-208979-1
	GRAY	1-208979-0
OBSOLETE	CREAM	208979-9
OBSOLETE	WHITE	208979-7
	ALMOND	208979-4
	BLACK	208979-2
OBSOLETE	BLACK	208979-1
	HOUSING COLOR	PART NO

THIS DRAWING IS A CONTROLLED DOCUMENT.		DWN	B.MOYER	5-1-91
DIMENSIONS: mm[INCHES]		CHK	R.STONE	5-7-91
TOLERANCES UNLESS OTHERWISE SPECIFIED:		APVD	D.L.ROCKER	5-7-91
0 PLC	± -	NAME		
1 PLC	± -	PRODUCT SPEC		
2 PLC	± -	APPLICATION SPEC		
3 PLC	± -	WEIGHT		
4 PLC	± -	SIZE		
ANGLES	± ± -	CAGE CODE		
FINISH	-	DRAWING NO		
MATERIAL		RESTRICTED TO		
HOUSING: NYLON, SEE TABLE		A2 00779 C-208979		
COVER: NYLON BLACK		SCALE 2:1 SHEET 1 OF 1 REV Y1		
CONTACTS: BRASS		CUSTOMER DRAWING		



RECEPTACLE KIT, UNASSEMBLED, WITH COVER, CONVENIENCE OUTLET