



Chipsmall Limited consists of a professional team with an average of over 10 year of expertise in the distribution of electronic components. Based in Hongkong, we have already established firm and mutual-benefit business relationships with customers from,Europe,America and south Asia,supplying obsolete and hard-to-find components to meet their specific needs.

With the principle of “Quality Parts,Customers Priority,Honest Operation,and Considerate Service”,our business mainly focus on the distribution of electronic components. Line cards we deal with include Microchip,ALPS,ROHM,Xilinx,Pulse,ON,Everlight and Freescale. Main products comprise IC,Modules,Potentiometer,IC Socket,Relay,Connector.Our parts cover such applications as commercial,industrial, and automotives areas.

We are looking forward to setting up business relationship with you and hope to provide you with the best service and solution. Let us make a better world for our industry!



Contact us

Tel: +86-755-8981 8866 Fax: +86-755-8427 6832

Email & Skype: info@chipsmall.com Web: www.chipsmall.com

Address: A1208, Overseas Decoration Building, #122 Zhenhua RD., Futian, Shenzhen, China



REVISIONS			
LTR	DESCRIPTION	DATE	APPROVED
G	PER ECN NO. 17284	03-23-92	G.L.D.

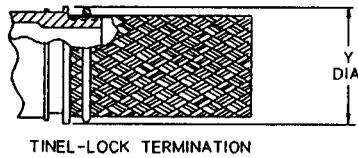
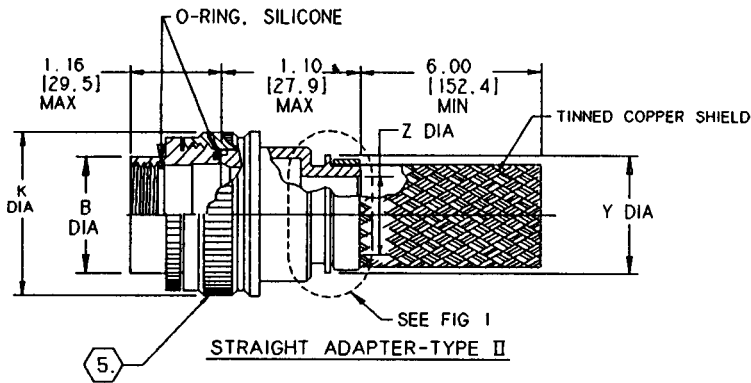
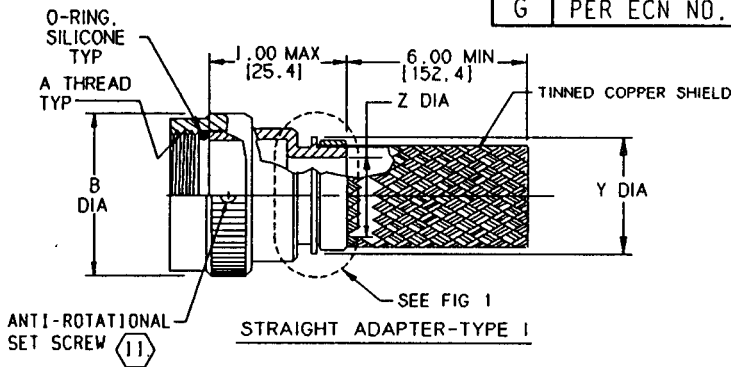


FIG 1 (9)

NOTES:

- ALL DIMENSIONS ARE IN INCHES (MILLIMETERS).
- THIS PRODUCT IS DESIGNED TO TERMINATE A BRAIDED CABLE SHIELD AND A HEAT SHRINKABLE LIPPED BOOT TO A CONNECTOR.
- TEMPERATURE RANGE FOR ALUMINUM ALLOY -65°C TO +150°C.
- ADAPTER TO BE PERMANENTLY MARKED WITH CODE IDENT. NO. AND P/N. E.G.: 06090-208M012-19B06

- (5) FOR LARGER ENTRY SIZES, A 2 PIECE ADAPTER (TYPE II) IS SUPPLIED.
6. CONSULT FACTORY FOR OPTIONAL ENTRIES, MATERIALS, FINISHES, AND MODIFICATIONS.
7. INTERNAL EDGES SHALL BE ROUNDED.
8. SEE CH00-0250-004 FOR ORDERING INFORMATION AND MODIFICATIONS.

- (9) BRAID TERMINATION RING MAY BE SUPPLIED AS TINEL-LOCK SHAPE MEMORY RING AT MANUFACTURER'S OPTION.
- (10) ADAPTER MATES TO: MIL-C-26500, CLASS E STAINLESS STEEL CONNECTORS.
- (11) ANTI-ROTATIONAL SET SCREW. 3 THREADED HOLES 120°±5°. SINGLE MATING SET SCREW SUPPLIED. NOT REQUIRED FOR TYPE II ADAPTERS.

SPECIFICATION CONTROL DRAWING

BASE PART NUMBER	SHELL SIZE (10)	MAX ENTRY SIZE TYPE 1 (5)	A THREAD CLASS 2B	B DIA MAX
208M008	8	05	.434-36 UNS	.79 [20.1]
208M010	10	06	.563-36 UNS	.91 [23.1]
208M012	12	09	.733-36 UNS	1.10 [27.9]
208M014	14	10	.803-36 UNS	1.16 [29.5]
208M016	16	12	.930-36 UNS	1.29 [32.8]
208M018	18	13	1.036-36 UNS	1.41 [35.8]
208M020	20	15	1.161-36 UNS	1.54 [39.1]
208M022	22	16	1.286-36 UNS	1.66 [42.2]
208M024	24	18	1.411-36 UNS	1.79 [45.5]
208M028	28	20	1.661-36 UNS	1.97 [50.0]

ENTRY SIZE	K MAX	Z ±.020 [±0.51]	Y DIA MIN.	ENTRY SIZE	K MAX	Z ±.020 [±0.51]	Y DIA MIN.
03	NA	.187 [4.75]	.393 [9.98]	13	1.41 [35.8]	.812 [20.62]	.953 [24.21]
04	NA	.250 [6.35]	.456 [11.58]	14	1.41 [35.8]	.875 [22.23]	1.081 [27.46]
05	NA	.312 [7.92]	.515 [13.08]	15	1.60 [40.6]	.938 [23.83]	1.143 [29.03]
06	.80 [20.3]	.375 [9.53]	.581 [14.76]	16	1.60 [40.6]	1.000 [25.40]	1.205 [30.61]
07	.92 [23.4]	.438 [11.13]	.643 [16.33]	18	1.66 [42.2]	1.125 [28.58]	1.381 [35.08]
08	.92 [23.4]	.500 [12.70]	.705 [17.91]	20	2.04 [51.8]	1.250 [31.75]	1.506 [38.25]
09	1.18 [30.0]	.562 [14.27]	.705 [17.91]	22	2.23 [56.6]	1.375 [34.93]	1.631 [41.43]
10	1.18 [30.0]	.625 [15.88]	.831 [21.11]	24	2.23 [56.6]	1.500 [38.10]	1.756 [44.60]
11	1.18 [30.0]	.688 [17.48]	.893 [22.68]	28	2.48 [63.0]	1.750 [44.45]	2.004 [50.90]
12	1.35 [34.3]	.750 [19.05]	.953 [24.21]				

If this document is printed it becomes uncontrolled. Check with the web for latest revision.

Raychem

RAYCHEM CORPORATION
300 CONSTITUTION DRIVE
MENLO PARK, CALIFORNIA 94025

TITLE
ADAPTER, SHIELD, STRAIGHT
CODE 52

DRAWN BY: R. RAMIREZ	DATE: 03-23-92	SIZE A	CODE IDENT. NO. 06090	DWG. NO. 208MOXX	REV G
APPRD BY: G. DIBBLE	DATE: 03-23-92	DO NOT SCALE DRAWING		SHEET 1 OF 1	