



Chipsmall Limited consists of a professional team with an average of over 10 year of expertise in the distribution of electronic components. Based in Hongkong, we have already established firm and mutual-benefit business relationships with customers from,Europe,America and south Asia,supplying obsolete and hard-to-find components to meet their specific needs.

With the principle of “Quality Parts,Customers Priority,Honest Operation,and Considerate Service”,our business mainly focus on the distribution of electronic components. Line cards we deal with include Microchip,ALPS,ROHM,Xilinx,Pulse,ON,Everlight and Freescale. Main products comprise IC,Modules,Potentiometer,IC Socket,Relay,Connector.Our parts cover such applications as commercial,industrial, and automotives areas.

We are looking forward to setting up business relationship with you and hope to provide you with the best service and solution. Let us make a better world for our industry!



Contact us

Tel: +86-755-8981 8866 Fax: +86-755-8427 6832

Email & Skype: info@chipsmall.com Web: www.chipsmall.com

Address: A1208, Overseas Decoration Building, #122 Zhenhua RD., Futian, Shenzhen, China





Passive UHF Transponder Ha-VIS VT 86 (HT)

Advantages

- Robust housing, resistant against chemicals
- EPC C1 Gen2 compatible
- Degree of protection IP 69K
- Extended memory
- Flexible mounting
- Integration into type label possible

Applications

- Extremely robust and durable transponder for maintenance and life cycle applications in rough environments
- Functions on metal
- Read range (on metal plate, 2 W ERP, 868 MHz): ≥ 2.5 m

Identification	Part number	Drawing	Dimensions in mm
----------------	-------------	---------	------------------

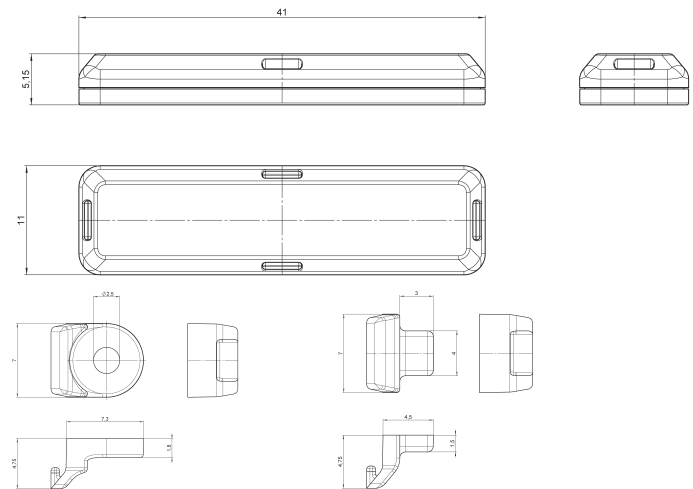
Passive UHF Transponder
Ha-VIS RFID VT 86 (HT)
set with clip holder

Pack with 10 pieces

20 92 641 0201

Pack with 50 pieces

20 92 641 0202



Technical characteristics

Frequency range	860 MHz ... 960 MHz	
Protocol	EPC C1Gen2	
Chip	Alien Higgs 3	
Memory	512 Bit	
Temperature range	Operational range (read / write)	-50 °C ... +85 °C
	Storage	-65 °C ... +160 °C
	Thermal shock 0 °C to 210 °C	5000 cycles
	Max. duration at max. temperature 210 °C	5000 h
Housing	Size (W x D x H)	41 x 11 x 5 mm
	Degrees of protection	IP 64 / IP 67 / IP 69K
	Mounting	Screw, rivet, adhere
	Colour	Black