



Chipsmall Limited consists of a professional team with an average of over 10 year of expertise in the distribution of electronic components. Based in Hongkong, we have already established firm and mutual-benefit business relationships with customers from,Europe,America and south Asia,supplying obsolete and hard-to-find components to meet their specific needs.

With the principle of “Quality Parts,Customers Priority,Honest Operation,and Considerate Service”,our business mainly focus on the distribution of electronic components. Line cards we deal with include Microchip,ALPS,ROHM,Xilinx,Pulse,ON,Everlight and Freescale. Main products comprise IC,Modules,Potentiometer,IC Socket,Relay,Connector.Our parts cover such applications as commercial,industrial, and automotives areas.

We are looking forward to setting up business relationship with you and hope to provide you with the best service and solution. Let us make a better world for our industry!



Contact us

Tel: +86-755-8981 8866 Fax: +86-755-8427 6832

Email & Skype: info@chipsmall.com Web: www.chipsmall.com

Address: A1208, Overseas Decoration Building, #122 Zhenhua RD., Futian, Shenzhen, China



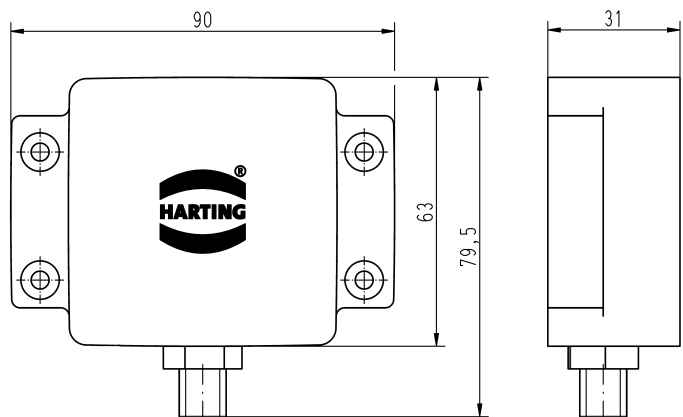


Ha-VIS RF-ANT-LR10 Planar RFID antenna

Identification	Part number	Drawing	Dimensions in mm
----------------	-------------	---------	------------------

Ha-VIS RF-ANT-LR10

20 93 201 0303



Recommended accessories

Antenna cables

Ha-VIS Coax ...	Length	Part number
... SMA-TNC, RG58	3 m	20 93 204 0101
... SMA-TNC, LL240flex	3 m	20 93 204 0102
... SMA-TNC, LL240flex	10 m	20 93 204 0103

All data represent the current state of development at the time of print and are therefore non-binding.

HARTING reserves the right to modify designs without prior notice.

Technical characteristics

Electric properties

Frequency range	865 ... 928 MHz
Gain	-30 dBi
EIFF *	15 dB
VSWR	< 1.2:1
Impedance	50 Ohm
Range of near field tags **	3 cm
Selectivity of near field tags **	3 cm
Range for far field tags **	8 cm
Selectivity for far field tags**	10 cm
Max. input power	1 W (compliant to FCC)
Connection	TNC socket

Mechanical properties

Dimensions (B x H x T)	90 x 63 x 31 mm
Weight	0.1 kg
Degree of protection	IP 67
Antenna cover	Tough, weather-resistant polymer blend
Colour	RAL 7045 (light grey)
Installation	Four through-holes diameter 4.2 mm for M4 screws
Operating temperature range	-20 °C ... +55 °C
Storage temperature range	-40 °C ... +85 °C

* ... The Effective Isotropic Field Factor (EIFF) shows the field isolation from far field to near field standardized to an isotropic radiator. The values were determined with 3 cm spacing.

** ... dependent upon transmission power and tag typ