



Chipsmall Limited consists of a professional team with an average of over 10 year of expertise in the distribution of electronic components. Based in Hongkong, we have already established firm and mutual-benefit business relationships with customers from,Europe,America and south Asia,supplying obsolete and hard-to-find components to meet their specific needs.

With the principle of "Quality Parts,Customers Priority,Honest Operation,and Considerate Service",our business mainly focus on the distribution of electronic components. Line cards we deal with include Microchip,ALPS,ROHM,Xilinx,Pulse,ON,Everlight and Freescale. Main products comprise IC,Modules,Potentiometer,IC Socket,Relay,Connector.Our parts cover such applications as commercial,industrial, and automotives areas.

We are looking forward to setting up business relationship with you and hope to provide you with the best service and solution. Let us make a better world for our industry!



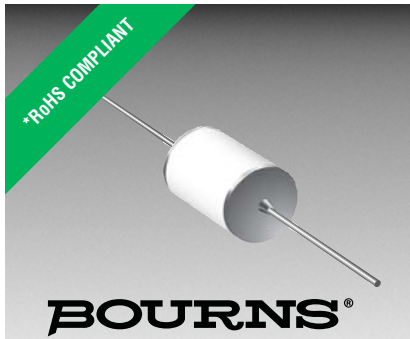
## Contact us

Tel: +86-755-8981 8866 Fax: +86-755-8427 6832


Email & Skype: info@chipsmall.com Web: www.chipsmall.com

Address: A1208, Overseas Decoration Building, #122 Zhenhua RD., Futian, Shenzhen, China





## Features

- Size: 8 mm diameter, 8 mm length
- Axial leaded device
- High voltage range up to 6 kV
- High insulation resistance
- RoHS compliant\*
-  UL Recognized

## Applications

- Industrial equipment/electronics
- Telecommunications electronics
- Consumer electronics

# 2095 Series High Voltage 2-Electrode Gas Discharge Tube

## Characteristics

Test Methods per ITU-T (CCITT) K.12 and IEC 61643-311.

Characteristic	Model No.				
	2095-80	2095-100	2095-140	2095-160	2095-200
DC Sparkover $\pm 20\%$ @ 100 V/s	800 V	1000 V	1400 V	1600 V	2000 V
Impulse Sparkover <sup>(1)</sup>					
100 V/ $\mu$ s	< 1100 V	< 1300 V	< 2100 V	< 2300 V	< 2700 V
1000 V/ $\mu$ s	< 1200 V	< 1400 V	< 2200 V	< 2400 V	< 2800 V

Characteristic	Model No.				
	2095-250	2095-270	2095-300	2095-350	2095-400
DC Sparkover $\pm 20\%$ @ 100 V/s	2500 V	2700 V	3000 V	3500 V	4000 V
Impulse Sparkover <sup>(1)</sup>					
100 V/ $\mu$ s	< 3500 V	< 3600 V	< 4100 V	< 4900 V	< 5300 V
1000 V/ $\mu$ s	< 3600 V	< 3800 V	< 4200 V	< 5000 V	< 5500 V

Characteristic	Model No.		
	2095-450	2095-500	2095-600
DC Sparkover $\pm 20\%$ @ 100 V/s	4500 V	5000 V	6000 V
Impulse Sparkover <sup>(1)</sup>			
100 V/ $\mu$ s	< 5800 V	< 6000 V	< 7000 V
1000 V/ $\mu$ s	< 6000 V	< 6400 V	< 7800 V

<sup>(1)</sup> Impulse Sparkover voltage is defined as typical values of distribution.

Insulation Resistance (IR) <sup>(2)</sup> .....	250/500/1000 Vdc.....	> 1 G $\Omega$
Glow Voltage .....	10 mA.....	~ 60 V
Arc Voltage .....	1 A.....	~ 15 V
Capacitance.....	1 MHz .....	< 1.5 pF
Impulse Discharge Current		
2095-80 through 2095-250 .....	8,000 A, 8/20 $\mu$ s.....	1 operation
2095-270 through 2095-600 .....	5,000 A, 8/20 $\mu$ s.....	10 operations
2095-270 through 2095-600 .....	5,000 A, 8/20 $\mu$ s.....	1 operation
2095-270 through 2095-600 .....	3,000 A, 8/20 $\mu$ s.....	10 operations
Alternating Discharge Current		
2095-80 through 2095-250 .....	2 Arms, 50 Hz, 1 second.....	1 operation min.
2095-80 through 2095-250 .....	10 Arms, 50 Hz, 9 cycles .....	1 operation min.
2095-270 through 2095-300 .....	3 Arms, 50 Hz, 1 second.....	1 operation min.
2095-270 through 2095-300 .....	5 Arms, 50 Hz, 9 cycles .....	1 operation min.
2095-350 through 2095-600 .....	2.5 Arms, 50 Hz, 1 second.....	1 operation min.
2095-350 through 2095-600 .....	5 Arms, 50 Hz, 9 cycles .....	1 operation min.
Impulse Life .....	100 A, 10/1000 $\mu$ s.....	> 100 operations <sup>(3)</sup>
Operating Temperature.....		-30 to +90 °C
Storage Temperature.....		-40 to +115 °C
Climatic Category (IEC 60068-1).....		40 / 90 / 21

### Notes:

- UL Recognized component: UL File E313168.
- At delivery AQL 0.65 Level II, DIN ISO 2859.

<sup>(2)</sup> DC Breakdown	IR Measuring Voltage
800-1000 V	250 V
1400-2000 V	500 V
2500-6000 V	1000 V

<sup>(3)</sup> Model 2095-270 and 2095-300 meet >300 operations at 100 A, 10/1000  $\mu$ s.

\*RoHS Directive 2002/95/EC Jan. 27, 2003 including annex and RoHS Recast 2011/65/EU June 8, 2011.

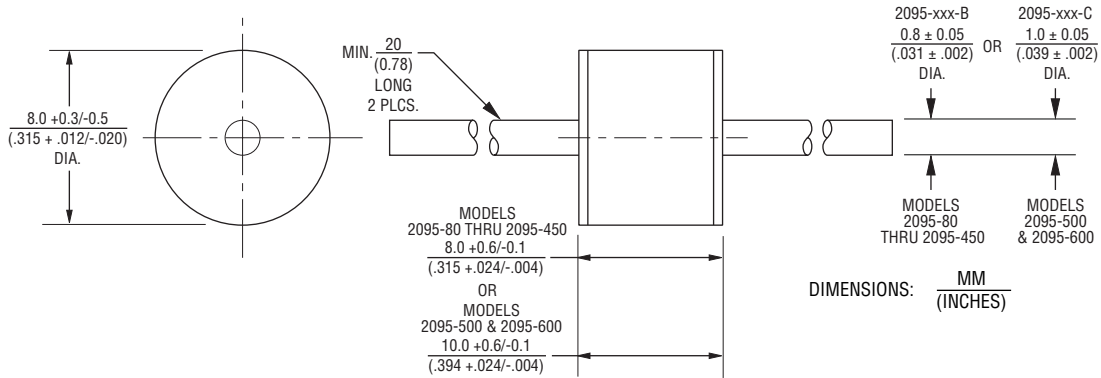
Specifications are subject to change without notice.

The device characteristics and parameters in this data sheet can and do vary in different applications and actual device performance may vary over time. Users should verify actual device performance in their specific applications.

# 2095 Series High Voltage 2-Electrode Gas Discharge Tube

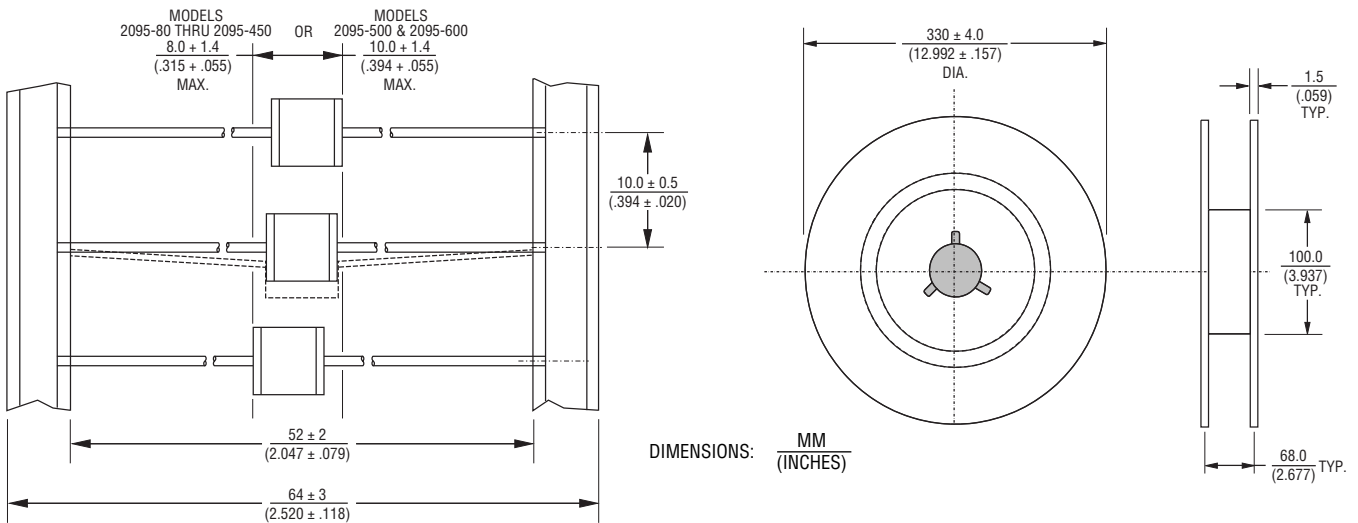
**BOURNS®**

## Product Dimensions



## Packaging Specifications

Model 2095 ships standard bulk, 100 pcs. per tray; 5 trays per box (500 units). The optional reelpack (-BT1) contains 500 pcs. per reel; 2 reels per box (1K units).



## How to Order

**2095 - xxx - B T1 LF**

Model Number Designator \_\_\_\_\_

Voltage (Divided by 10) \_\_\_\_\_

80 = 800 V	250 = 2500 V	450 = 4500 V
100 = 1000 V	270 = 2700 V	500 = 5000 V
140 = 1400 V	300 = 3000 V	600 = 6000 V
160 = 1600 V	350 = 3500 V	
200 = 2000 V	400 = 4000 V	

Leads \_\_\_\_\_

B = 0.8 mm (Available only for Models 2095-80 thru 2095-450)  
C = 1.0 mm (Available only for Models 2095-500 & 2095-600)

Packaging \_\_\_\_\_

(Blank) = Bulk Packaging (Standard)  
T1 = Reelpack (Optional)

RoHS Compliancy \_\_\_\_\_

LF = RoHS Compliant Product

**BOURNS®**

Asia-Pacific: Tel: +886-2 2562-4117 • Fax: +886-2 2562-4116

EMEA: Tel: +36 88 520 390 • Fax: +36 88 520 211

The Americas: Tel: +1-951 781-5500 • Fax: +1-951 781-5700

[www.bourns.com](http://www.bourns.com)

REV. D 08/15

Specifications are subject to change without notice. The device characteristics and parameters in this data sheet can and do vary in different applications and actual device performance may vary over time. Users should verify actual device performance in their specific applications.