



Chipsmall Limited consists of a professional team with an average of over 10 year of expertise in the distribution of electronic components. Based in Hongkong, we have already established firm and mutual-benefit business relationships with customers from,Europe,America and south Asia,supplying obsolete and hard-to-find components to meet their specific needs.

With the principle of “Quality Parts,Customers Priority,Honest Operation,and Considerate Service”,our business mainly focus on the distribution of electronic components. Line cards we deal with include Microchip,ALPS,ROHM,Xilinx,Pulse,ON,Everlight and Freescale. Main products comprise IC,Modules,Potentiometer,IC Socket,Relay,Connector.Our parts cover such applications as commercial,industrial, and automotives areas.

We are looking forward to setting up business relationship with you and hope to provide you with the best service and solution. Let us make a better world for our industry!



## Contact us

Tel: +86-755-8981 8866 Fax: +86-755-8427 6832

Email & Skype: info@chipsmall.com Web: www.chipsmall.com

Address: A1208, Overseas Decoration Building, #122 Zhenhua RD., Futian, Shenzhen, China



THIS DRAWING IS UNPUBLISHED. RELEASED FOR PUBLICATION 20  
 © COPYRIGHT 20 BY - ALL RIGHTS RESERVED.

REVISIONS					
P	LTR	DESCRIPTION	DATE	DWN	APVD
C		REVISED PER ECO-12-015617	28AUG2012	DD	AL
D		REVISED PER ECO-15-005163	02APR2015	DD	AL

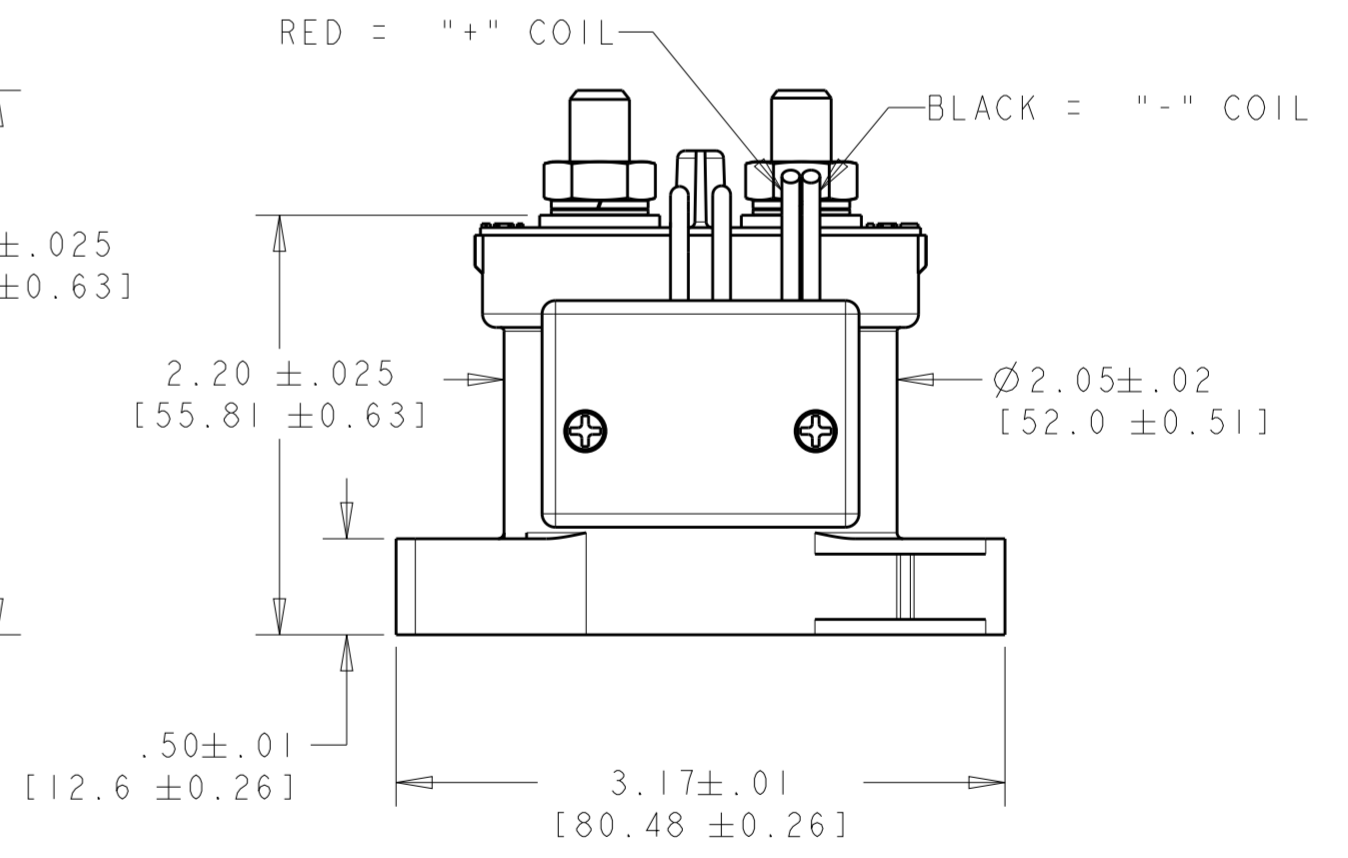
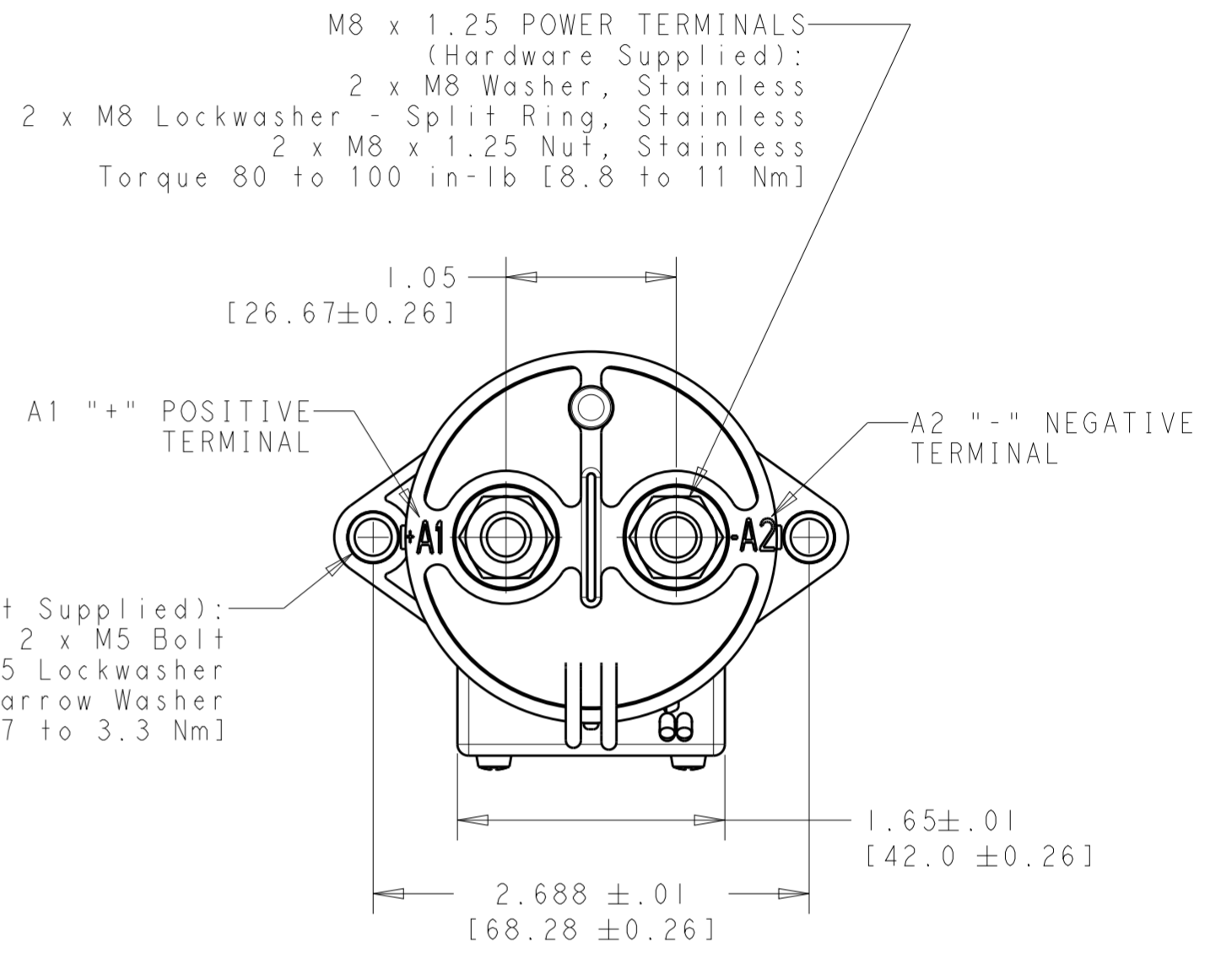
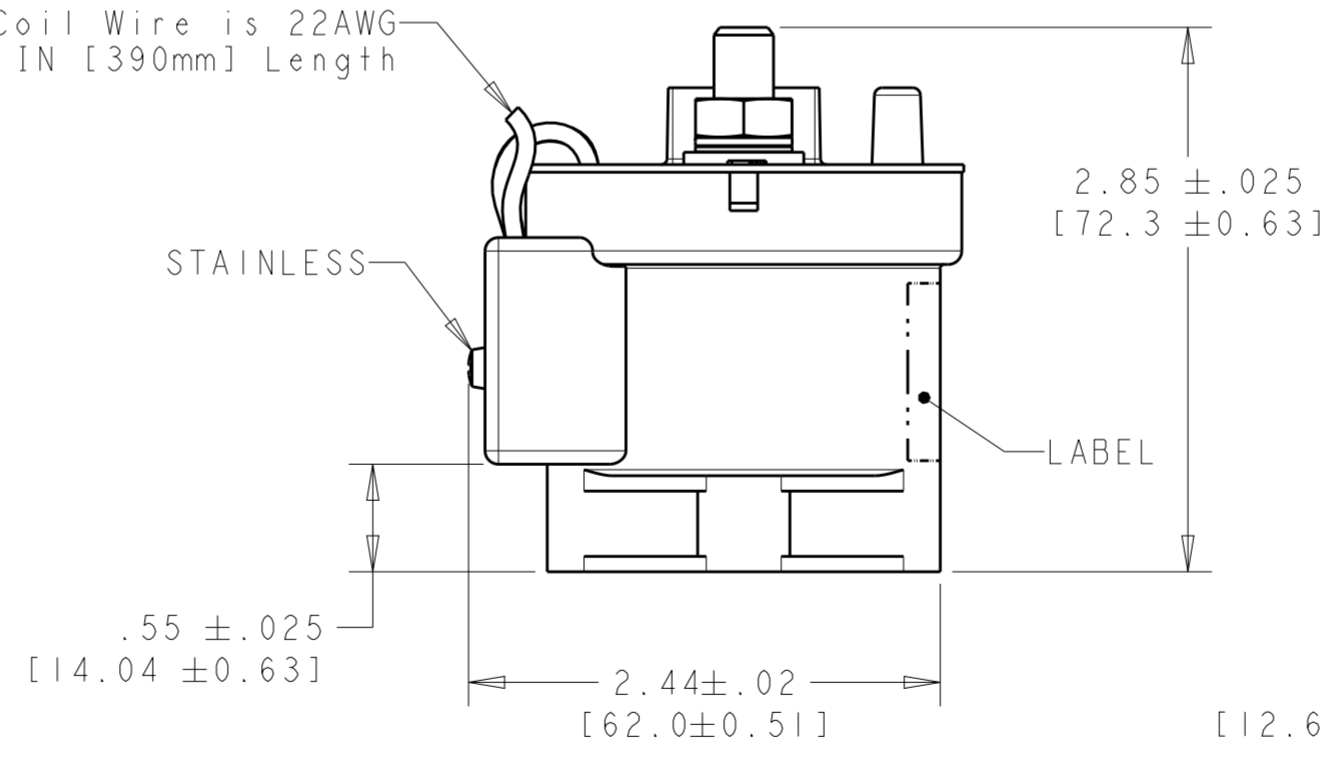
### PERFORMANCE DATA

PARAMETERS	UNITS	VALUE FOR EV200 SERIES
Contact Arrangement: Power Contacts		1 Form X (SPST-NO-DM)
Rated Operating Voltage	Vdc	100 - 900
(NOTE: Voltages between 450 to 900 Vdc are capable but load dependent and require TE Engineering approval)		
Continuous (Carry) Current, Typical	A	500 @ 65°C, 400 mcm conductors
Consult factory for required conductors for higher (500+ A) currents		
Break Current at 320 Vdc	A	2,000, 1 cycle
Contact Resistance, Typical (@ 200A)	mohms	0.2
Load Life	Cycles	See Chart
Mechanical Life	Cycles	1,000,000
Operate Time @ 25°C		
Close (includes bounce), Typical	ms	15
Bounce (after close only), Max	ms	7
Release (includes arcing), Max @ 2000A	ms	12
Dielectric Withstand Voltage	Vrms	2,200 @ sea level (leakage < 1 mA)
Insulation Resistance @ 500 Vdc	megohms	100 (50 at end of life)
Shock, 11ms 1/2 sine, peak, operating	G	20
Vibration, sine, 80 - 200 Hz, peak	G	20
Operating Ambient Temperature	°C	-40° to +85°
Weight (Nominal)	lb [kg]	.95 [0.43]

### COIL DATA

Voltage (will operate)	9 - 36 Vdc
Voltage (Max)	36 Vdc
Pickup (close) Voltage (Max)	9 Vdc
Hold Voltage (Min)	7.5 Vdc
Dropout (open) Voltage (Min)	6 Vdc
Inrush Current (Max)	3.8A
Holding Current (Avg)	0.13A @ 12V
Inrush Time (Max)	130 ms

Coil Wire is 22AWG with 15.3 IN [390mm] Length



- TO AVOID OVERHEATING, THE COIL ABOVE SHOULD NOT BE LEFT ON AT FULL POWER (12V) FOR A LONG PERIOD OF TIME.
- THE MINIMUM HOLD CURRENT OF 650mA (MENTIONED ABOVE) ONLY PRODUCES A T-RISE OF 20°C (MAX).
- FOR ANY OTHER INFORMATION, PLEASE REFER TO THE EV200 GENERAL CUSTOMER DATASHEET.

2098190-1  
PART NUMBER

THIS DRAWING IS A CONTROLLED DOCUMENT.		DWN A LEE 25MAY2010	TE Connectivity															
DIMENSIONS: INCHES		CHK A LEE 25MAY2010																
TOLERANCES UNLESS OTHERWISE SPECIFIED:		APVD A LEE 25MAY2010	NAME RELAY, EVC500 SPST-NO 12V															
<table border="1"> <tr><td>0 PLC</td><td>±</td></tr> <tr><td>1 PLC</td><td>±.01</td></tr> <tr><td>2 PLC</td><td>±.005</td></tr> <tr><td>3 PLC</td><td>±.005</td></tr> <tr><td>4 PLC</td><td>±</td></tr> <tr><td>ANGLES</td><td>±1°</td></tr> <tr><td>FINISH</td><td></td></tr> </table>		0 PLC	±	1 PLC	±.01	2 PLC	±.005	3 PLC	±.005	4 PLC	±	ANGLES	±1°	FINISH		PRODUCT SPEC -	SIZE A200779	
0 PLC	±																	
1 PLC	±.01																	
2 PLC	±.005																	
3 PLC	±.005																	
4 PLC	±																	
ANGLES	±1°																	
FINISH																		
MATERIAL		APPLICATION SPEC -	DRAWING NO C-2098190-1															
		WEIGHT -	RESTRICTED TO -															
		CUSTOMER DRAWING	SCALE 1:1 SHEET OF 1 REV D															