



Chipsmall Limited consists of a professional team with an average of over 10 year of expertise in the distribution of electronic components. Based in Hongkong, we have already established firm and mutual-benefit business relationships with customers from,Europe,America and south Asia,supplying obsolete and hard-to-find components to meet their specific needs.

With the principle of “Quality Parts,Customers Priority,Honest Operation,and Considerate Service”,our business mainly focus on the distribution of electronic components. Line cards we deal with include Microchip,ALPS,ROHM,Xilinx,Pulse,ON,Everlight and Freescale. Main products comprise IC,Modules,Potentiometer,IC Socket,Relay,Connector.Our parts cover such applications as commercial,industrial, and automotives areas.

We are looking forward to setting up business relationship with you and hope to provide you with the best service and solution. Let us make a better world for our industry!



Contact us

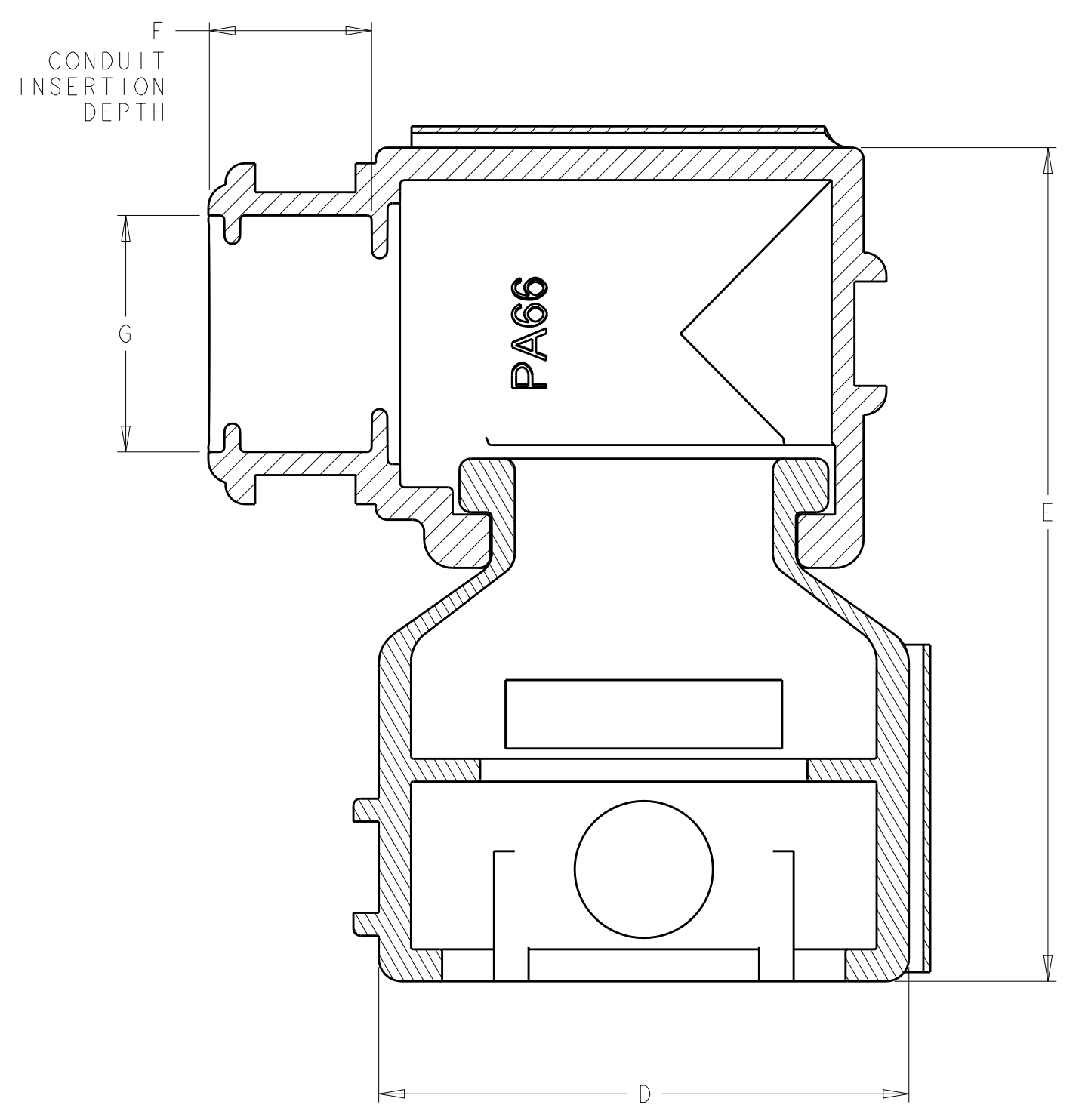
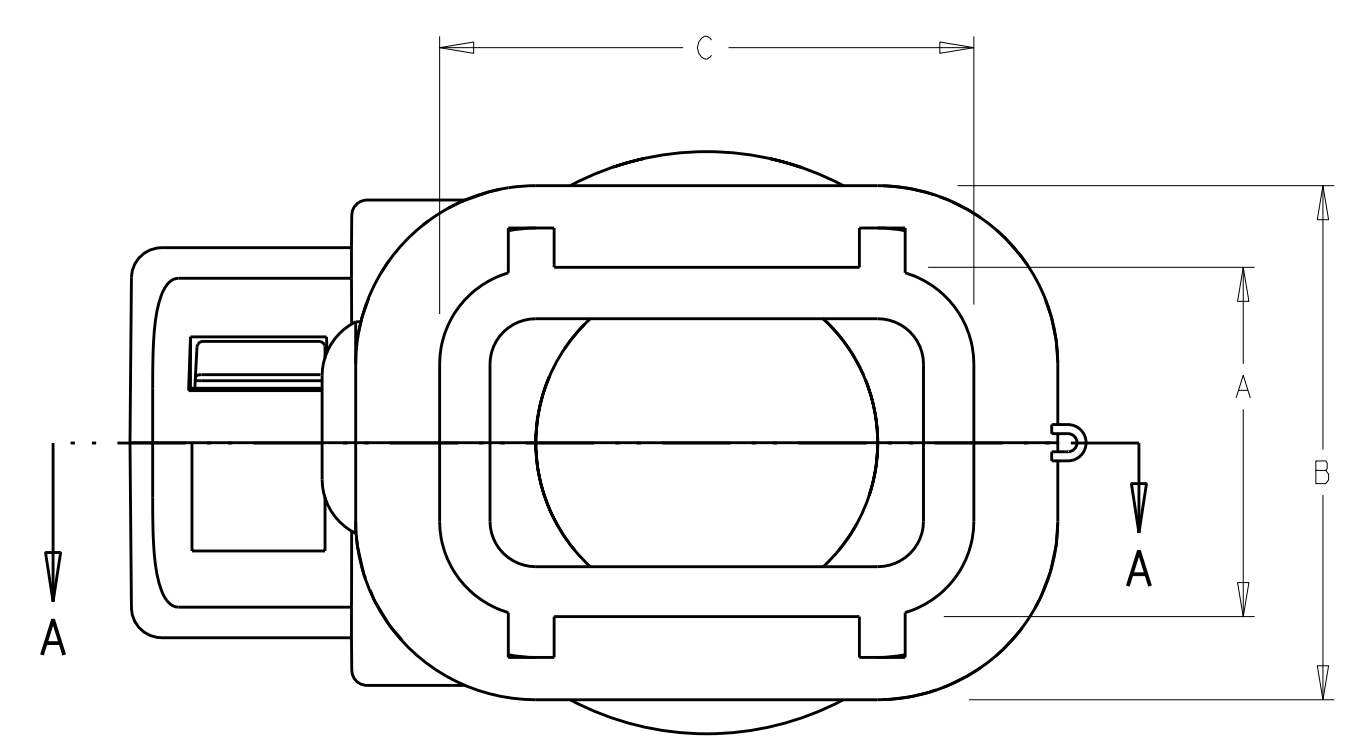
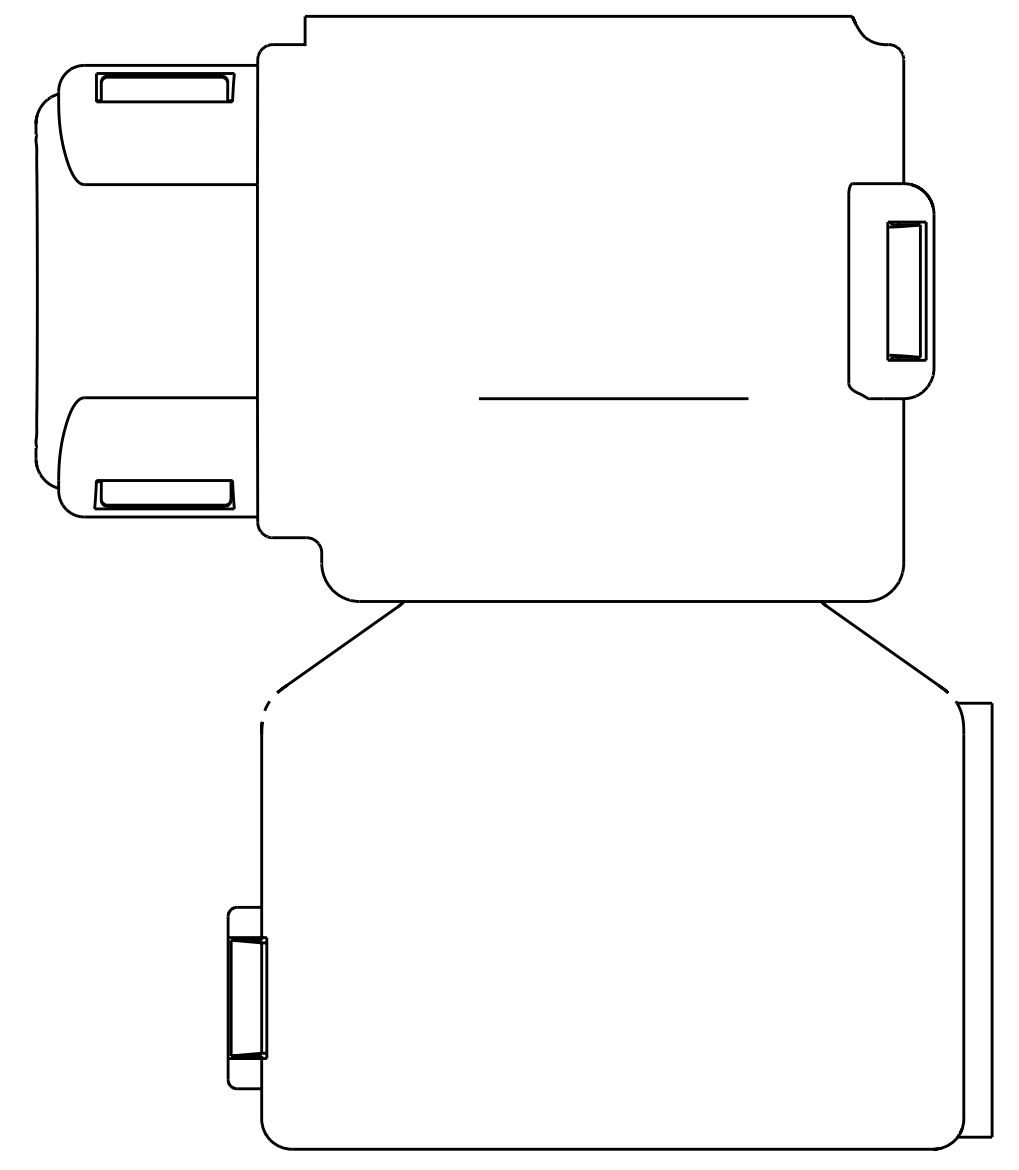
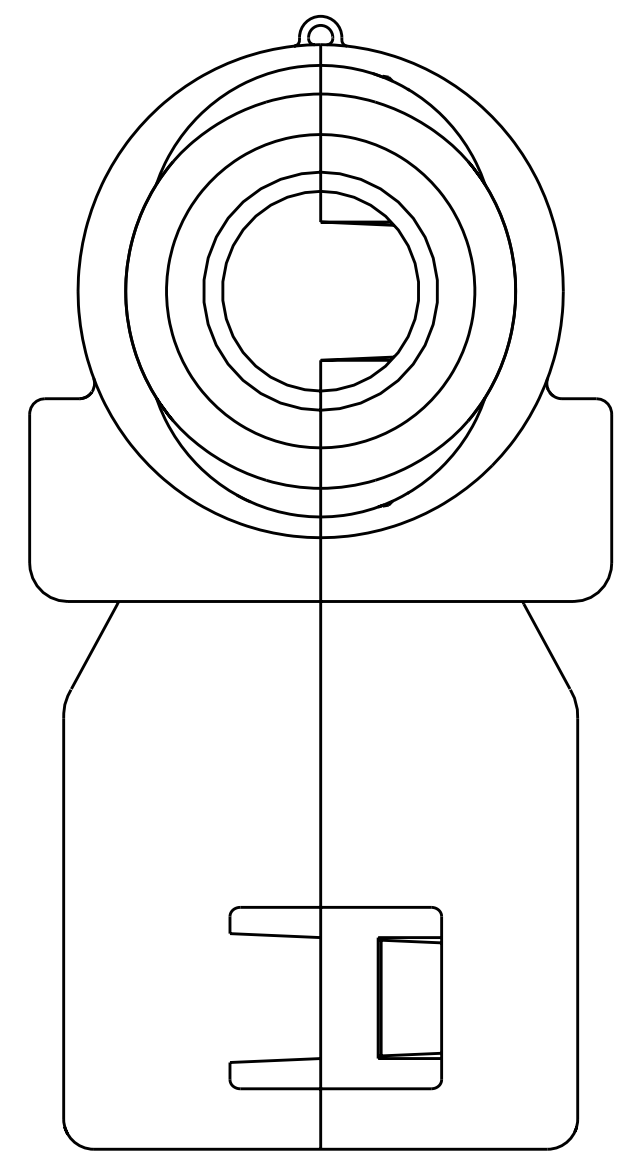
Tel: +86-755-8981 8866 Fax: +86-755-8427 6832

Email & Skype: info@chipsmall.com Web: www.chipsmall.com

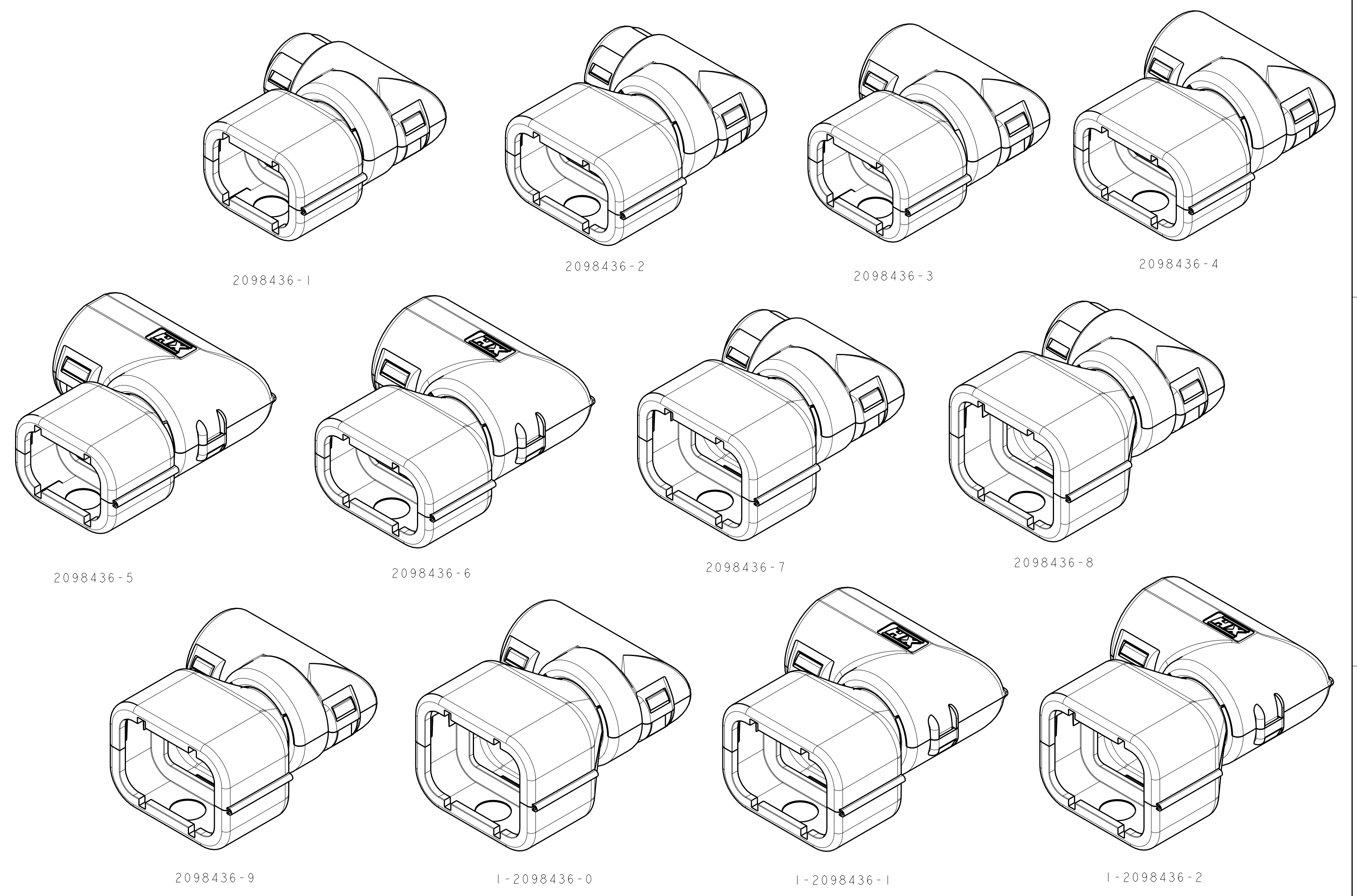
Address: A1208, Overseas Decoration Building, #122 Zhenhua RD., Futian, Shenzhen, China



LOC	DIST	REVISIONS			
P	LTB	DESCRIPTION	DATE	DWN	APVD
-1		PROPOSED	11 JUN 2009	RW	RB
A		RELEASED PER ECO-09-017979	03 AUG 2009	DD	RB



SECTION A-A



1. ELBOW DESIGN ALLOWS FOR 360° EXIT ROTATION

G	F	E	D	C	B	A	NW CONDUIT SIZE	NC CONDUIT SIZE	CONNECTOR POSITIONS	TYCO ELECTRONICS PART NO.
16.5	10.6	45.8	27.7	22.2	22.5	17.0	13	16	6	1-2098436-2
16.5	10.6	43.8	27.7	22.2	20.6	15.1	13	16	4	1-2098436-1
13.5	7.2	42.1	27.7	22.2	22.5	17.0	10	12	6	1-2098436-0
13.5	7.2	40.1	27.7	22.2	20.6	15.1	10	12	4	2098436-9
10.4	7.2	42.1	27.7	22.2	22.5	17.0	7.5	08	6	2098436-8
10.4	7.2	40.1	27.7	22.2	20.6	15.1	7.5	08	4	2098436-7
16.5	10.6	42.7	27.3	21.6	17.1	11.6	13	16	3	2098436-6
16.5	10.6	40.2	23.2	17.5	17.0	11.6	13	16	2	2098436-5
13.5	7.2	39.0	27.3	21.6	17.1	11.6	10	12	3	2098436-4
13.5	7.2	36.5	23.2	17.5	17.0	11.6	10	12	2	2098436-3
10.4	7.2	39.0	27.3	21.6	17.1	11.6	7.5	08	3	2098436-2
10.4	7.2	36.5	23.2	17.5	17.0	11.6	7.5	08	2	2098436-1

DIMENSIONS: mm 		TOLERANCES UNLESS OTHERWISE SPECIFIED: 9 PLC ±0.5 5 PLC ± 4 PLC ± ANGLES ±1° FINISH -		DWN: RUSTY WORTHINGTON CHK: ROGER BALTER APVD: ROGER BALTER DATE: 11 JUN 2009 NAME: RUSTY WORTHINGTON PRODUCT SPEC: APPLICATION SPEC: WEIGHT: CUSTOMER DRAWING		Tyco Electronics Harrisburg, PA 17105-3608 NAME: BACKSHELL, RIGHT-ANGLE, LOW PROFILE CAP CONNECTOR, NW/NC CONDUIT AMPSEAL 16 SIZE: A100779C=2098436 SCALE: 2:1 SHEET: 1 OF 1 REV: A	
-----------------------	--	--	--	--	--	---	--