



Chipsmall Limited consists of a professional team with an average of over 10 year of expertise in the distribution of electronic components. Based in Hongkong, we have already established firm and mutual-benefit business relationships with customers from,Europe,America and south Asia,supplying obsolete and hard-to-find components to meet their specific needs.

With the principle of “Quality Parts,Customers Priority,Honest Operation,and Considerate Service”,our business mainly focus on the distribution of electronic components. Line cards we deal with include Microchip,ALPS,ROHM,Xilinx,Pulse,ON,Everlight and Freescale. Main products comprise IC,Modules,Potentiometer,IC Socket,Relay,Connector.Our parts cover such applications as commercial,industrial, and automotives areas.

We are looking forward to setting up business relationship with you and hope to provide you with the best service and solution. Let us make a better world for our industry!



Contact us

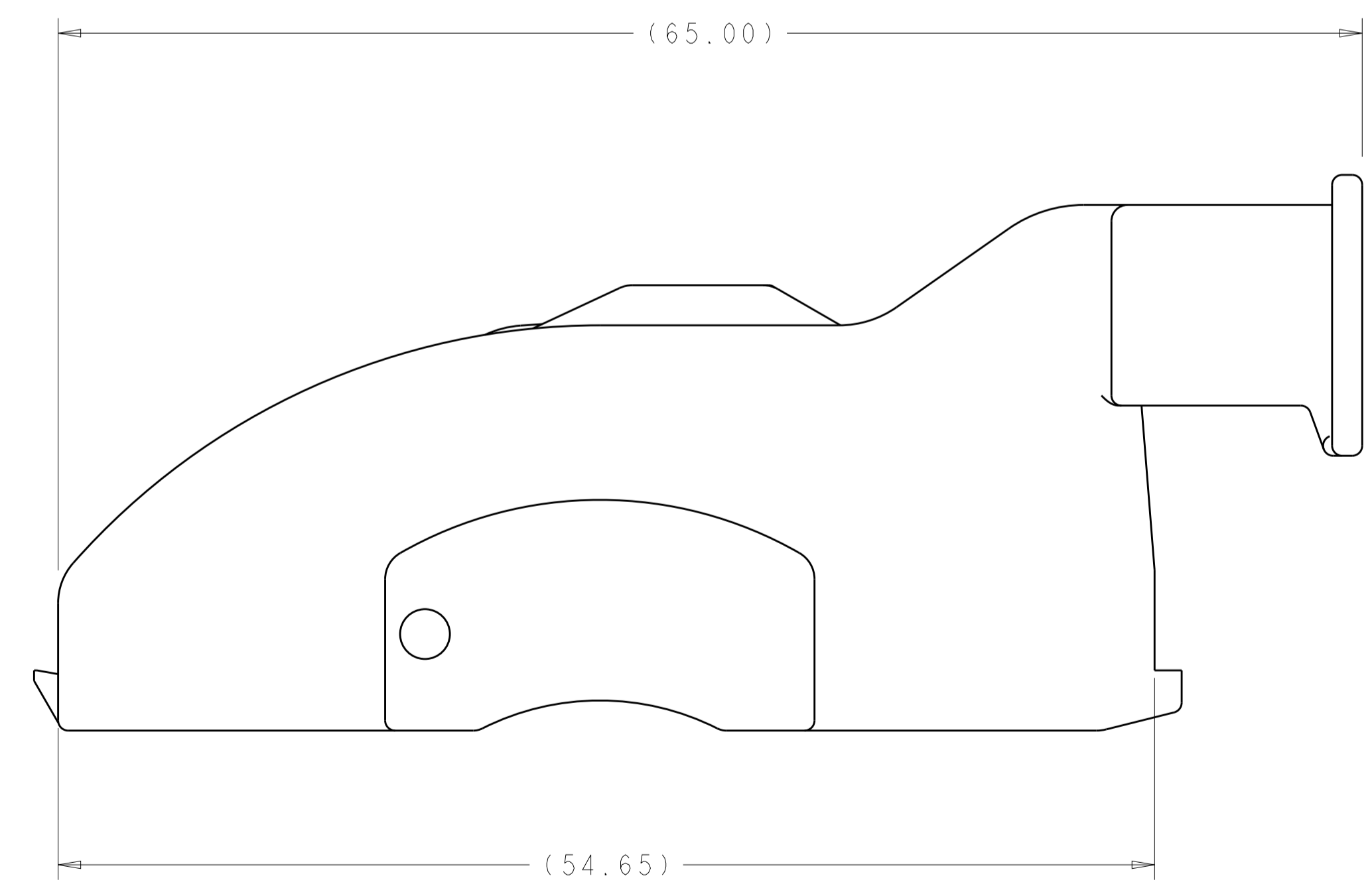
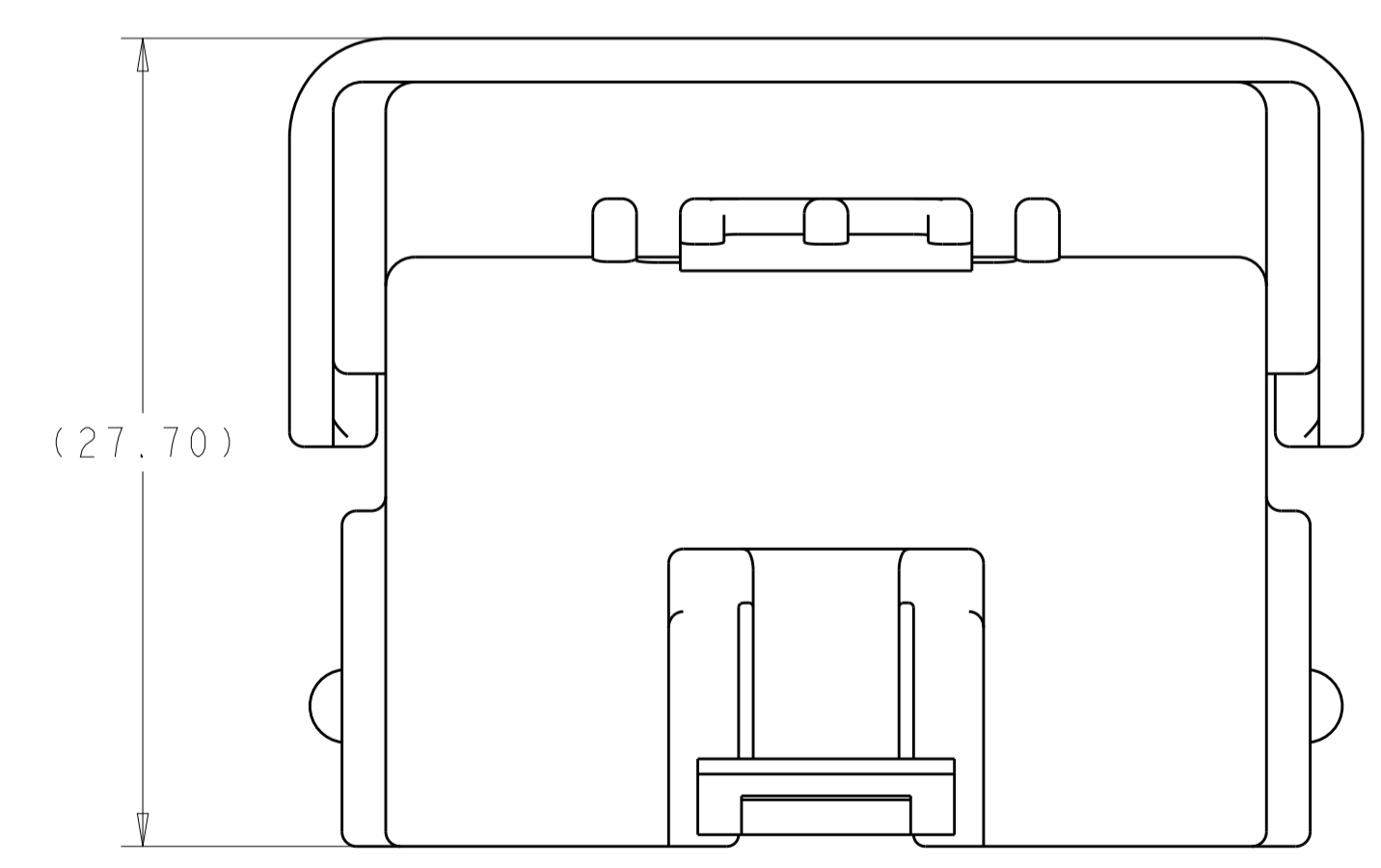
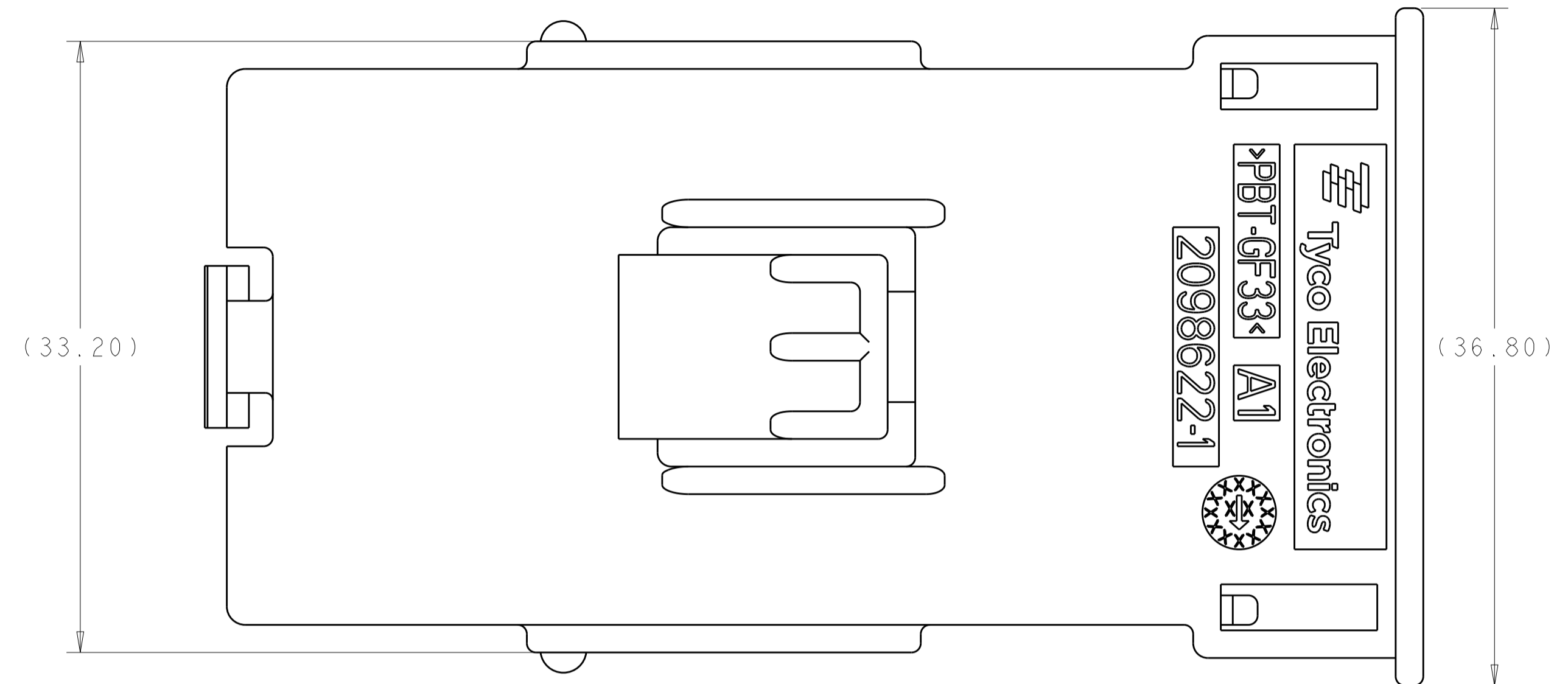
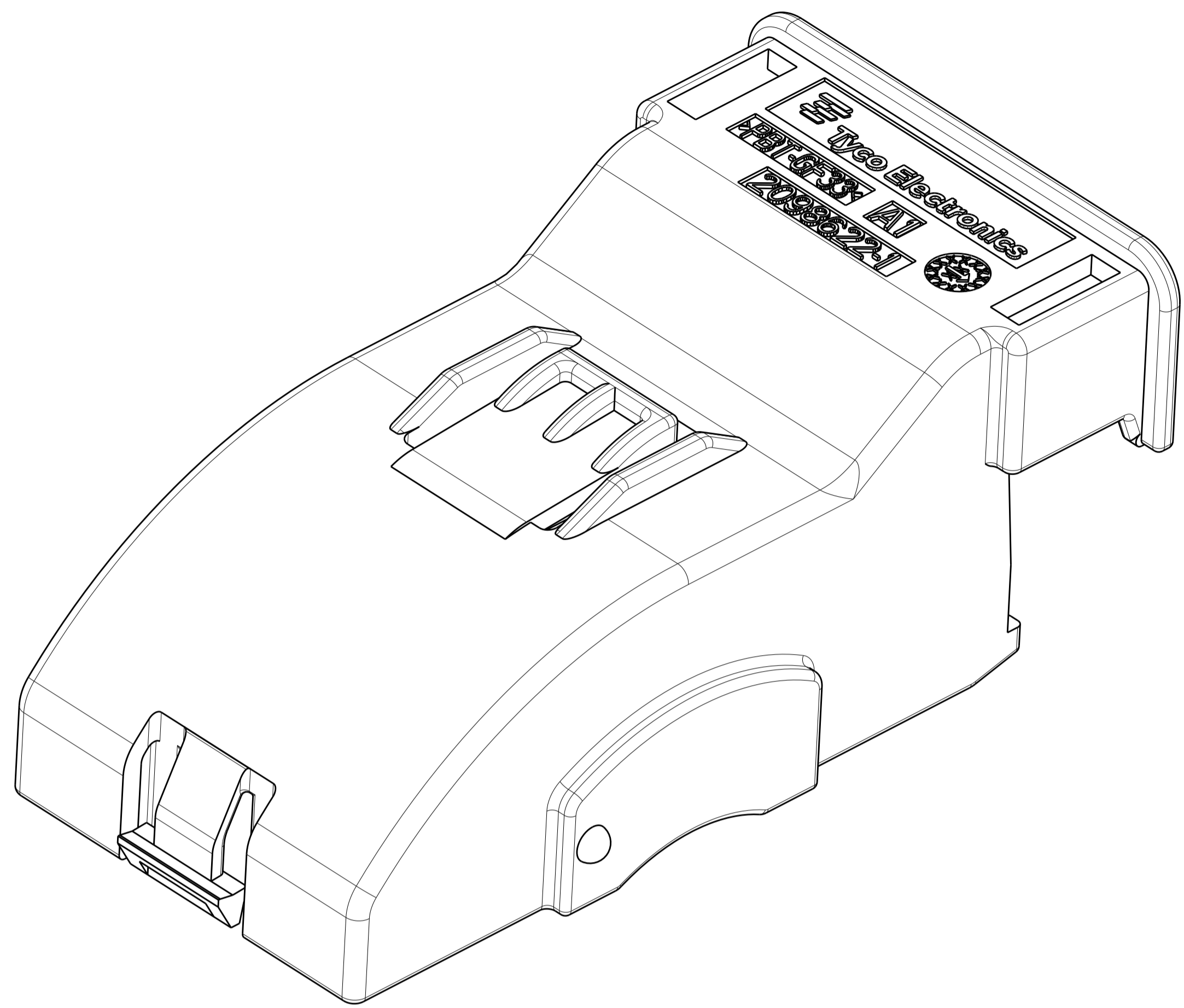
Tel: +86-755-8981 8866 Fax: +86-755-8427 6832

Email & Skype: info@chipsmall.com Web: www.chipsmall.com

Address: A1208, Overseas Decoration Building, #122 Zhenhua RD., Futian, Shenzhen, China



LOC		DIST		REVISIONS			
P	LTN	DESCRIPTION	DATE	DWN	APVD		
A		RELEASED	20FEB2012	MBH	RH		
B		REV PER ECO-12-019809	09NOV2012	MBH	RH		



- NOTES:
1. MATERIAL: PBT GLASS FILLED 33% (>PBT-GF33<)
 2. MATING COMPONENT 2138731.

2068622-1
PART NUMBER

THIS DRAWING IS A CONTROLLED DOCUMENT.		DWN	M. HITCHCOCK	20FEB2012	 TE Connectivity	NAME 36P UNSEALED HYBRID WIRE DRESS (20X 1.5, 10X 2.8, 6X 6.3)
DIMENSIONS:		CHK	R. HETRICK	20FEB2012		
TOLERANCES UNLESS OTHERWISE SPECIFIED:		APVD	R. HETRICK	20FEB2012		
mm		PRODUCT SPEC		APPLICATION SPEC		
0 PLC ±0.0 1 PLC ±0.3 2 PLC ±0.10 3 PLC ±0.050 4 PLC ±0.0 ANGLES ±3°		MATERIAL		FINISH	RESTRICTED TO	
MATERIAL		WEIGHT		SIZE	CAGE CODE	DRAWING NO
-		-		A1	00779	©=2098622
CUSTOMER DRAWING		SCALE		4:1	SHEET	1 OF 1
				REV	B	