



Chipsmall Limited consists of a professional team with an average of over 10 year of expertise in the distribution of electronic components. Based in Hongkong, we have already established firm and mutual-benefit business relationships with customers from,Europe,America and south Asia,supplying obsolete and hard-to-find components to meet their specific needs.

With the principle of “Quality Parts,Customers Priority,Honest Operation,and Considerate Service”,our business mainly focus on the distribution of electronic components. Line cards we deal with include Microchip,ALPS,ROHM,Xilinx,Pulse,ON,Everlight and Freescale. Main products comprise IC,Modules,Potentiometer,IC Socket,Relay,Connector.Our parts cover such applications as commercial,industrial, and automotives areas.

We are looking forward to setting up business relationship with you and hope to provide you with the best service and solution. Let us make a better world for our industry!



Contact us

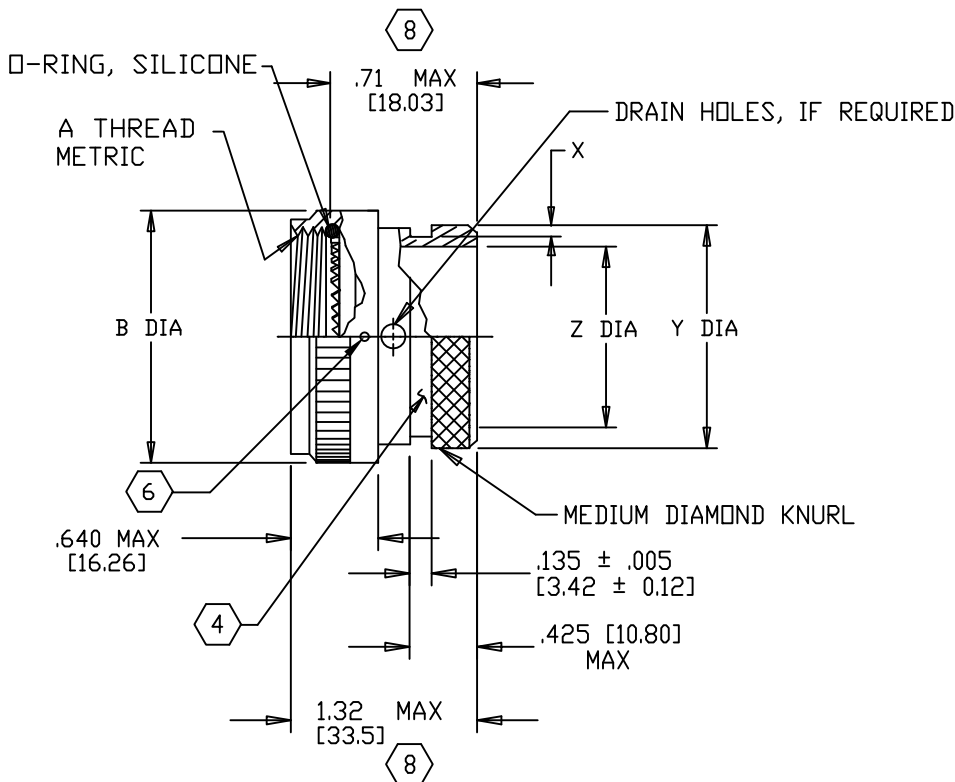
Tel: +86-755-8981 8866 Fax: +86-755-8427 6832

Email & Skype: info@chipsmall.com Web: www.chipsmall.com

Address: A1208, Overseas Decoration Building, #122 Zhenhua RD., Futian, Shenzhen, China



REVISIONS			
LTR	DESCRIPTION	DATE	APPROVED
G	REVISED PER ECN AD94023	8/31/94	W.C.GAY
G1	REVISED PER ECO-11-011624	6/21/12	K. YEE



NOTES:


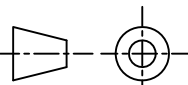
1. THIS PRODUCT IS DESIGNED TO TERMINATE A HEAT SHRINKABLE LIPPED BOOT TO A CONNECTOR.
2. FOR ADDITIONAL DIMENSIONS, ORDERING INFORMATION AND MODIFICATIONS, SEE CH00-0250-004.
3. ADAPTER TO BE PERMANENTLY MARKED WITH CODE IDENT. NO. AND PART NO. (E.G.: 06090-209M412-19B).
- ④ KNURL INSIDE BOOT GROOVE MAY BE SUPPLIED AT MANUFACTURER'S OPTION.
- ⑤ ADAPTER MATES TO MIL-C-38999 SERIES III & IV, CLASS C, F, K, AND W, D38999/20, /24, /26, /40, /46, /47, CONNECTORS AND WHEN SO MATED SHALL PROVIDE A WATER-TIGHT SEAL MEETING THE REQUIREMENTS OF MIL-C-85049, PAR. 3.5.7.
- ⑥ WHEN "L" MODIFICATION IS SPECIFIED, COUPLING NUT SHALL HAVE 3 LOCK WIRE HOLES, 120° APART.
7. THIS IS A FUNCTIONAL EQUIVALENT OF MIL-C-85049/69.
- ⑧ WHEN GROUNDING SCREW MODIFICATION IS ORDERED .71 MAX BECOMES 1.07 MAX AND 1.32 MAX BECOMES 1.70 MAX.


If this document is printed it becomes uncontrolled. Check for the latest revision

Raychem Adapters

CUSTOMER DRAWING

©2012 Tyco Electronics Corporation. All rights reserved.

UNLESS OTHERWISE SPECIFIED DIMENSIONS ARE IN INCHES. METRIC DIMENSIONS ARE IN BRACKETS.	DRAWN R. RAMIREZ	DATE 03-19-93		TE Connectivity	
	CHECKED	DATE			
DIMENSIONING AND TOLERANCING PER ASME Y14.5M (ISO STANDARDS)	APPROVED	DATE	TITLE ADAPTER, SPIN COUPLING CODE 40		
	APPROVED W.C.GAY	DATE 08-31-94			
DECIMALS .XXX ± [mm] .XX ± [mm] .X ± [mm]	CAD NAME 209M4XX_G1.dwg	SIZE A	CODE IDENT. NO. 06090	DWG. NO. 209M4XX	REV G1
ANGLES .X ±	THIRD ANGLE PROJECTION	DO NOT SCALE THIS DWG		SHEET 1 OF 2	

BASE PART NUMBER	SHELL SIZE 		A METRIC THREAD CLASS 6H	B DIA MAX	X +.008 -.000 [+0.20] [-0.00]	Y DIA MAX	Z DIA MIN
	COML	MIL					
209M408	9	A	M12 X 1.0	.750 [19.05]	.044 [1.12]	.533 [13.54]	.250 [6.35]
209M410	11	B	M15 X 1.0	.850 [21.59]	↑	.605 [15.37]	.375 [9.52]
209M412	13	C	M18 X 1.0	1.000 [25.40]		.774 [19.66]	.500 [12.70]
209M414	15	D	M22 X 1.0	1.150 [29.2]	↓	.838 [21.29]	.620 [15.75]
209M416	17	E	M25 X 1.0	1.250 [31.75]		.963 [24.46]	.745 [18.92]
209M418	19	F	M28 X 1.0	1.400 [35.56]	.044 [1.12]	1.042 [26.47]	.812 [20.62]
209M420	21	G	M31 X 1.0	1.500 [38.10]	.069 [1.75]	1.217 [30.91]	.937 [23.80]
209M422	23	H	M34 X 1.0	1.650 [41.91]	.069 [1.75]	1.355 [34.42]	1.062 [26.97]
209M424	25	J	M37 X 1.0	1.750 [44.45]	.069 [1.75]	1.443 [36.65]	1.175 [29.85]

Raychem Adapters
CUSTOMER DRAWING

If this document is printed it becomes uncontrolled. Check for the latest revision

SIZE	CODE IDENT. NO.	DWG. NO.	REV
A	06090	209M4XX	G1
DO NOT SCALE THIS DWG		CAD NAME 209M4XX_G1.dwg	SHEET 2 OF 2