



Chipsmall Limited consists of a professional team with an average of over 10 year of expertise in the distribution of electronic components. Based in Hongkong, we have already established firm and mutual-benefit business relationships with customers from,Europe,America and south Asia,supplying obsolete and hard-to-find components to meet their specific needs.

With the principle of “Quality Parts,Customers Priority,Honest Operation,and Considerate Service”,our business mainly focus on the distribution of electronic components. Line cards we deal with include Microchip,ALPS,ROHM,Xilinx,Pulse,ON,Everlight and Freescale. Main products comprise IC,Modules,Potentiometer,IC Socket,Relay,Connector.Our parts cover such applications as commercial,industrial, and automotives areas.

We are looking forward to setting up business relationship with you and hope to provide you with the best service and solution. Let us make a better world for our industry!



Contact us

Tel: +86-755-8981 8866 Fax: +86-755-8427 6832

Email & Skype: info@chipsmall.com Web: www.chipsmall.com

Address: A1208, Overseas Decoration Building, #122 Zhenhua RD., Futian, Shenzhen, China



Sockets & Accessories, KUP Relays

- Sockets for 1 - 3 pole relays with .187" (4/75mm) quick connects or 4 pole relays with .110" (2.79mm) quick connects
- Solder, PCB or screw terminal sockets
- Hold down springs
- Various mounting options



Approvals

UL E59244, CSA LR15734

Technical data of approved types on request.

Technical Data

| | |
|------------------------------------|----------------------------|
| Socket contact material | Spring brass, tin plated |
| Socket body material | |
| Solder, PCB and QC terminal models | Nylon |
| Screw terminal models - 3 pole | Glass-filled polyester |
| Screw terminal model - 4 pole | Combination (PCB assembly) |
| Maximum current | |
| Screw terminal model - 4 pole | 10A |
| All other models | 15A |

Ordering Code for Sockets



| Product Code | Poles | Terminal type | Mounting | Rating | Part number |
|--------------|-------|------------------------------|------------|--------|-------------|
| 27E043 | 3 | solder | hard mount | 15A | 1393143-1 |
| 27E067 | | .187 in (4.75) quick connect | | | 1393143-2 |
| 27E046 | | PCB .144 in (3.66) long | | | 1419106-4 |
| 27E305 | | PCB .184 in (4.67) long | | | 3-1393143-2 |
| 27E419 | 4 | PCB .156 in (3.96) long | | | 4-1393143-0 |
| 27E396 | 3 | .187 in (4.75) quick connect | snap-in | | 3-1393143-8 |
| 27E121 | | screw | panel/rail | | 1393143-5 |
| 27E893 | | | DIN-rail | | 2-1419106-5 |
| 27E867 | 4 | | panel-rail | 10A | 2-1419106-2 |

All accessories must be ordered separately.

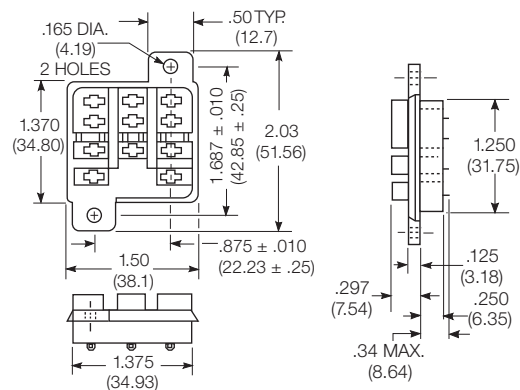
Dimensions

Hard Mount Sockets For Relays Through 3 Poles

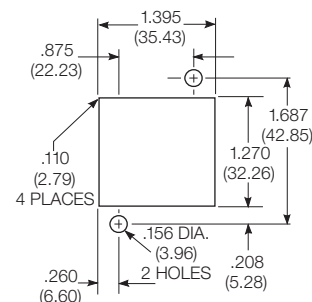
Sockets with .187" (4.75mm) quick connect, solder or printed circuit terminals are available for KUEP, KUGP, KUIP, KUL, KUMP and KUP relays, through 3 poles, with .187" (4.75mm) quick connect terminals. Also used with CL/CU time delay relays.

27E043—with solder eyelet terminals.

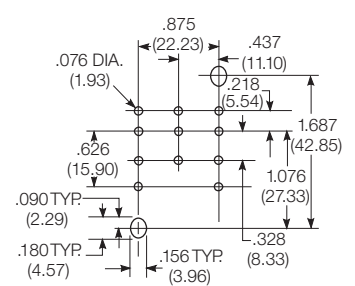
27E067—with .187" (4.75mm) quick connect terminals.



Recommended chassis cutout for solder terminal socket



PC board layout for 3 pole PCB terminal socket



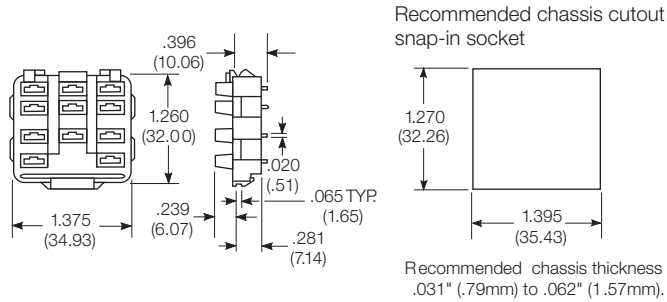
Recommended Chassis Thickness
.031 (.79) to .062 (1.57)

Sockets & Accessories, KUP Relays (Continued)

Dimensions

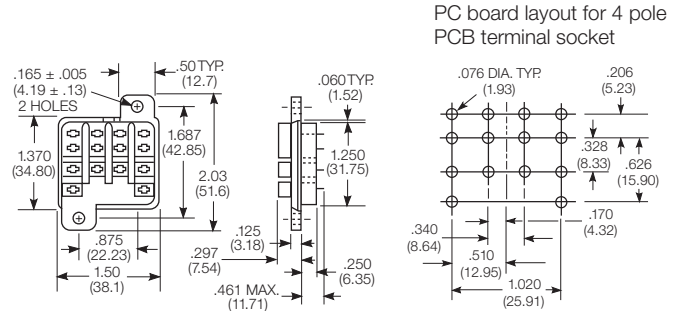
Snap-in Socket For Relays Through 3 Poles

Socket with with .187" (4.75mm) quick connect terminals is available for KUJEP, KUGP, KUIP, KUL, KUMP and KUP relays, through 3 poles, with .187" (4.75mm) quick connect terminals. Also used with CL/CU time delay relays. 27E396—with .187" (4.75mm) quick connect terminals



Hard mount sockets for relays with 4 poles

Socket with printed circuit terminals is available for KUP relays, with 4 poles, with .110" (2.79mm) quick connect terminals. 27E043—with solder eyelet terminals. 27E419—with printed circuit terminals.

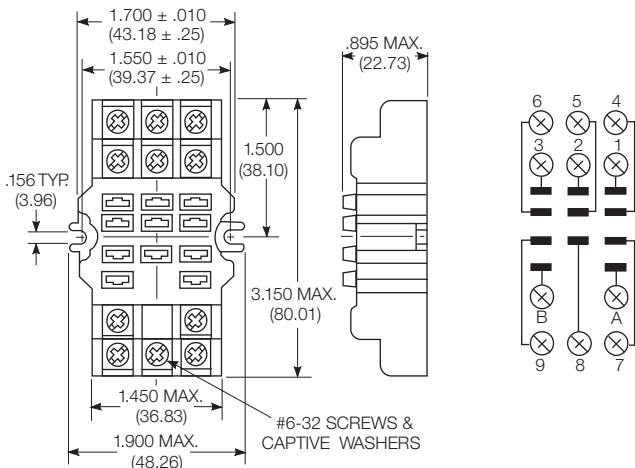


PC board layout for 4 pole PCB terminal socket

Caution: Printed circuit sockets are manufactured with "floating" (Loose) terminals. This permits them to align with holes in the circuit board and with the relay terminals. During the mounting and soldering of the socket, vertical float should be eliminated and the terminals seated on the board. (This may be accomplished by inserting a dummy relay in the socket.) Failure to eliminate float may cause fracture of the solder joint or separation of the copper conductor from the printed circuit board when a relay is inserted in the socket after soldering.

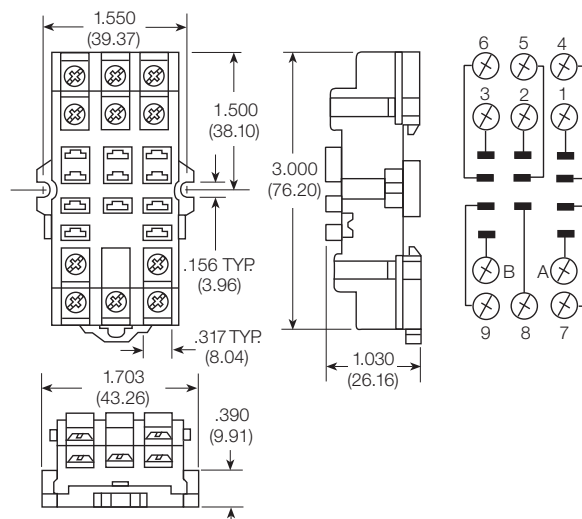
Screw terminal socket for relays through 3 poles 27E121

Offers screw termination for KUJEP, KUGP, KUIP, KUL, KUMP and KUP relays, through 3 poles, with .187" (4.75mm) quick connect terminals. Also used with CL/CU time delay relays. This socket stacks on 1.700" (43.18mm) centers. When surface mounting, two #6-32 screws of suitable length are required. When track mounting, two 24A071 retainer clips (not shown) are required.



Screw terminal, DIN rail, snap-mount socket 27E893

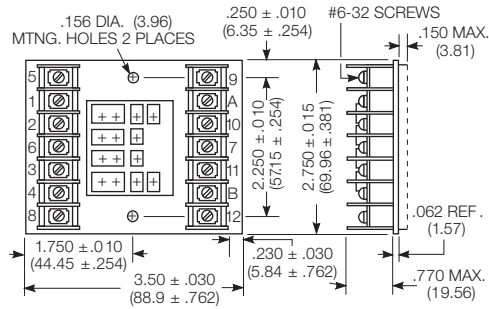
Offers screw termination for KUJEP, KUGP, KUIP, KUL, KUMP and KUP relays, through 3 poles, with .187" (4.75mm) quick connect terminals. Also used with CL/CU time delay relays. This socket is constructed with a spring-loaded latch which allows it to be quickly snapped onto or removed from a DIN or "top hat" style mounting track. No special tools or extra hardware is required for installation.



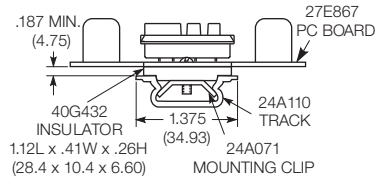
Sockets & Accessories, KUP Relays (Continued)

Dimensions and terminal location

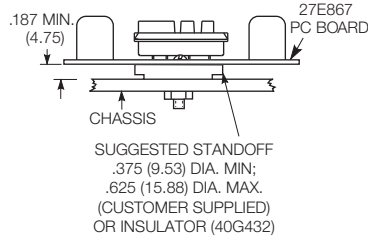
Screw terminal socket for relays with 4 poles 27E867
Socket with screw terminals is available for KUP relays, with 4 poles, with .110" (2.79mm) quick connect terminals.



Suggested track mounting



Suggested chassis mounting



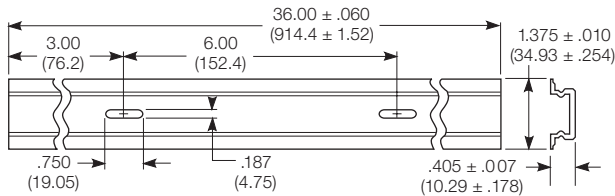
Ordering Code for Accessories

| Product Code | Description | Part number |
|--------------|---|-------------|
| 20C254 | Snap-in relay hold down spring for use with all KUP sockets listed on these pages except 27E121 and 27E893. | 3-1393159-9 |
| 20C228 | Relay hold down spring for use with hard mount KUP sockets. Is held in place by socket mounting hardware. | 1419111-3 |
| 20C318 | Relay hold down spring for use with 27E893 DIN rail screw terminal socket | 4-1393159-8 |
| 20C314 | Relay hold down clip for use with 27E121 screw terminal socket. 2 required per socket. | 4-1393159-6 |
| 24A110 | Mounting track | 1419111-6 |
| 24A071 | Steel mounting clip with #6-32 screw - use with 27E166 on 24A110 track | 1419111-5 |
| 24A072 | Plastic twist mounting clip - use with 27E166 on 24A110 track | 5-1393159-4 |
| 40G432 | Plastic insulator - use with 24A071 to make end clip for 24A110 track | 9-1393159-5 |

All accessories must be ordered separately.

Dimensions

24A110 DIN rail style mounting track



24A110 mounting track is designed to accept snap-mount sockets, as well as other P&B screw terminal sockets. Track is made of lightweight, sturdy extruded aluminum and is shipped in three-foot (914cm) lengths with mounting holes on six-inch (152mm) centers. Track can be cut to shorter lengths or used end-to-end.

Track and mounting accessories

