



Chipsmall Limited consists of a professional team with an average of over 10 year of expertise in the distribution of electronic components. Based in Hongkong, we have already established firm and mutual-benefit business relationships with customers from,Europe,America and south Asia,supplying obsolete and hard-to-find components to meet their specific needs.

With the principle of “Quality Parts,Customers Priority,Honest Operation,and Considerate Service”,our business mainly focus on the distribution of electronic components. Line cards we deal with include Microchip,ALPS,ROHM,Xilinx,Pulse,ON,Everlight and Freescale. Main products comprise IC,Modules,Potentiometer,IC Socket,Relay,Connector.Our parts cover such applications as commercial,industrial, and automotives areas.

We are looking forward to setting up business relationship with you and hope to provide you with the best service and solution. Let us make a better world for our industry!



## Contact us

Tel: +86-755-8981 8866 Fax: +86-755-8427 6832

Email & Skype: info@chipsmall.com Web: www.chipsmall.com

Address: A1208, Overseas Decoration Building, #122 Zhenhua RD., Futian, Shenzhen, China



C. Westerb 12-5-90  
APPROVED/DATE

1  
REV

SAFETY ORGANIZATION(S):

THIS FILTER HAS BEEN FORMALLY RECOGNIZED, CERTIFIED OR APPROVED BY THE LISTED AGENCY. THEREFORE, ALL TEST/REQUIREMENTS SPECIFIED IN THE LATEST REVISION OF THE FOLLOWING AGENCY STANDARDS HAVE BEEN MET:

UL RECOGNIZED  
UL 1283  
CSA CERTIFIED  
CSA 22.2, NO.0,0.4,8  
VDE APPROVED  
VDE 565-3

OPERATING SPECIFICATIONS:

LINE VOLTAGE/CURRENT:  
20 AMP., 120/250 VAC  
16A/40°C, 250VAC  
50-60Hz  
40°C  
LINE FREQUENCY:  
MAX. CASE RISE  $\theta$  RATED CURRENT:  
MAX. LEAKAGE CURRENT, EACH  
LINE TO GROUND  
OPERATING AMBIENT TEMP. RANGE:  
.3 mA at 120V 60 Hz  
.5 mA at 250V 50 Hz  
-10°C TO +40°C  $\theta$  RATED CURRENT,  $I_r$

IN AN AMBIENT,  $T_a$ , HIGHER THAN 40°C, THE MAXIMUM OPERATING CURRENT,  $I_o$ , IS AS FOLLOWS:

$$I_o = I_r \sqrt{\frac{85-T_a}{45}}$$

RELIABILITY SPECIFICATIONS:

STORAGE TEMPERATURE:  
-40°C TO +85°C  
HUMIDITY:  
21 DAYS  $\theta$  40°C 95% RH  
CURRENT OVERLOAD TEST:  
6 TIMES RATED CURRENT FOR 8 SECONDS

TEST SPECIFICATIONS:

INDUCTANCE:  
6.06 mH NOMINAL  
CAPACITANCE: (MEASURED  $\theta$  1 KHz, 0.25 VAC MAX., 25°C  $\pm$ 1°C)  
LINE TO GROUND:  
LINE TO LINE:  
DISCHARGE RESISTOR  
470K $\Omega$   
LINE/GROUND AND LINE/LINE  
INSULATION RESISTANCE  
6000 M $\Omega$  (MIN) AT 100 VDC  
20°C AND 50% RH

RECOMMENDED RECEIVING INSPECTION HIPOT:

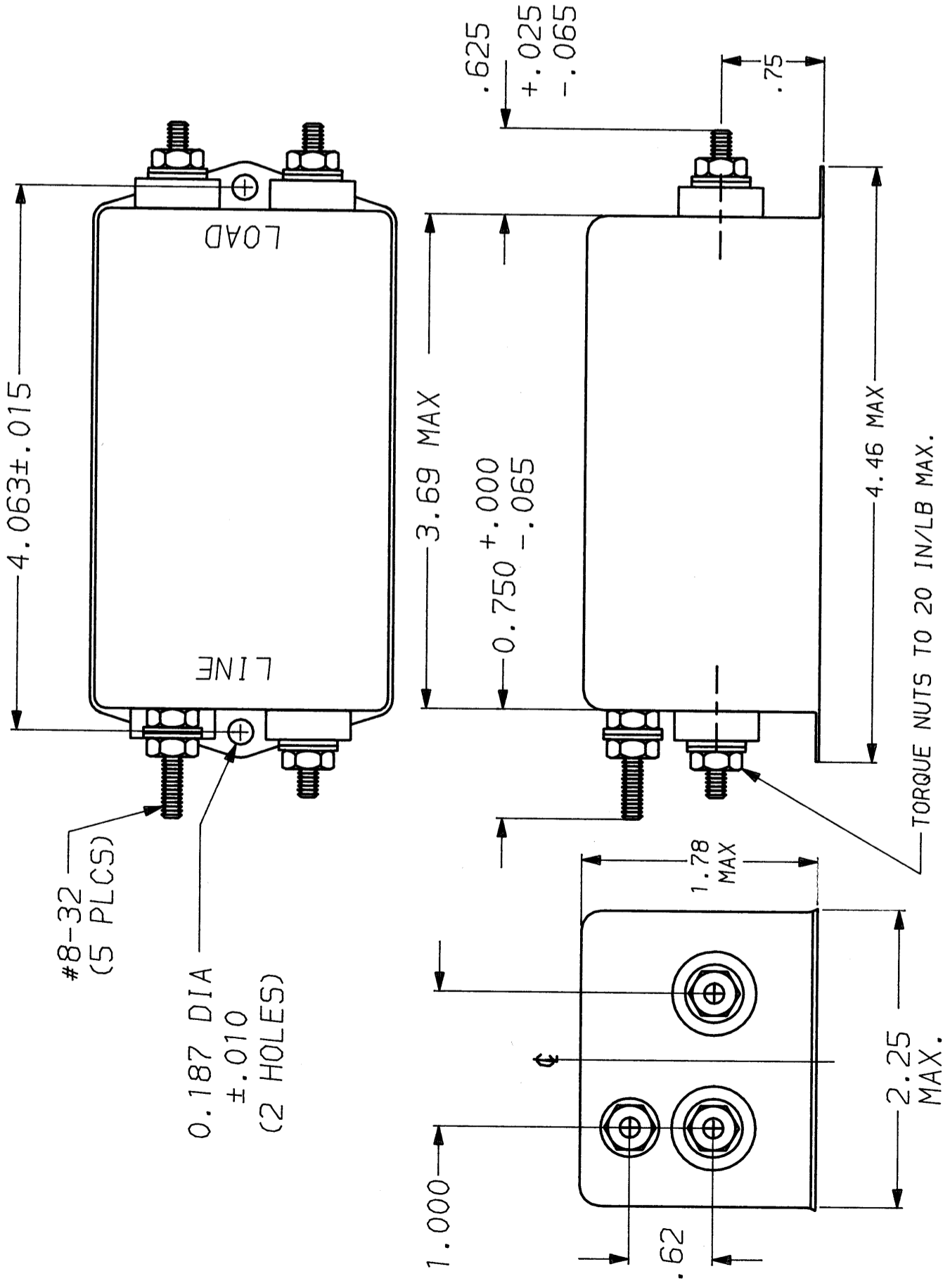
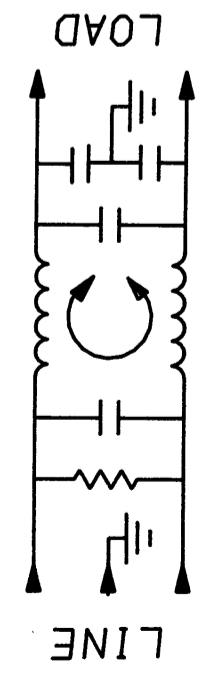
LINES TO GROUND:  
2250 VDC FOR 1 MINUTE  
LINE TO LINE:  
1450 VDC FOR 1 MINUTE

FILTER APPROVAL:

THE BEST WAY TO SELECT AND QUALIFY A FILTER IS FOR YOUR ENGINEERING TO TEST THE UNIT IN YOUR EQUIPMENT.

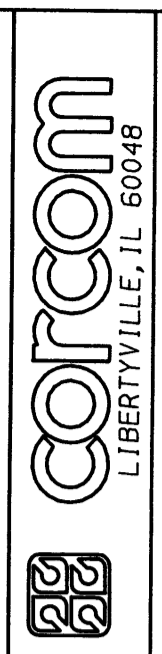
FREQUENCY MHZ	.01	.08	.1	.15	.5	1.0	5.0	10	30
COMMON dB	7	22	24	28	35	38	45	45	45
DIFF. dB	1	10	8	8	45	60	65	60	60

50 $\Omega$  - 50 $\Omega$  (MINIMUM) INSERTION LOSS  
This document is proprietary to CORCOM INC. and is not to be reproduced nor used for manufacturing purposes except on CORCOM's order or prior written consent.



TOLERANCE EXCEPT AS NOTED  
DECIMAL: .XXX .XX .X ANGLES  $\pm$  1°  
ENGLISH:  $\pm$ .025  
METRIC:  $\pm$  —  
MATERIAL:  
AS SUPPLIED

FINISH:  
AS SUPPLIED



LIBERTYVILLE, IL 60048

POWER LINE FILTER

SCALE DATE DRG. NO. REV.  
NTS 9-12-89  
DRW. BY TDL ORIGINATOR CW 20ESK6.01