



Chipsmall Limited consists of a professional team with an average of over 10 year of expertise in the distribution of electronic components. Based in Hongkong, we have already established firm and mutual-benefit business relationships with customers from,Europe,America and south Asia,supplying obsolete and hard-to-find components to meet their specific needs.

With the principle of “Quality Parts,Customers Priority,Honest Operation,and Considerate Service”,our business mainly focus on the distribution of electronic components. Line cards we deal with include Microchip,ALPS,ROHM,Xilinx,Pulse,ON,Everlight and Freescale. Main products comprise IC,Modules,Potentiometer,IC Socket,Relay,Connector.Our parts cover such applications as commercial,industrial, and automotives areas.

We are looking forward to setting up business relationship with you and hope to provide you with the best service and solution. Let us make a better world for our industry!



Contact us

Tel: +86-755-8981 8866 Fax: +86-755-8427 6832

Email & Skype: info@chipsmall.com Web: www.chipsmall.com

Address: A1208, Overseas Decoration Building, #122 Zhenhua RD., Futian, Shenzhen, China



SAFETY ORGANIZATION(S):

THIS FILTER HAS BEEN FORMALLY RECOGNIZED, CERTIFIED OR APPROVED BY THE LISTED AGENCY. THEREFORE, ALL TEST/REQUIREMENTS SPECIFIED IN THE LATEST REVISION OF THE FOLLOWING AGENCY STANDARDS HAVE BEEN MET:

- UL 1283
- CSA 22.2, NO. 0, 0.4, 8
- VDE 565-3

OPERATING SPECIFICATIONS:

- LINE VOLTAGE/CURRENT: 20 AMP., 120/250 VAC
16 AMP./40°C, 250 VAC
50-60Hz
40°C
- LINE FREQUENCY: 0.5mA at 120V 60 Hz
1.0 mA at 250V 50 Hz
- MAX. CASE RISE θ RATED CURRENT: -10°C TO +40°C θ RATED CURRENT, I_r
- MAX. LEAKAGE CURRENT, EACH LINE TO GROUND
- OPERATING AMBIENT TEMP. RANGE: IN AN AMBIENT, T_a , HIGHER THAN 40°C, THE MAXIMUM OPERATING CURRENT, I_o , IS AS FOLLOWS:
$$I_o = I_r \sqrt{\frac{85-T_a}{45}}$$

RELIABILITY SPECIFICATIONS:

- STORAGE TEMPERATURE: -40°C TO +85°C
- HUMIDITY: 21 DAYS @ 40°C 95% RH
- CURRENT OVERLOAD TEST: 6 TIMES RATED CURRENT FOR 8 SECONDS

TEST SPECIFICATIONS:

- INDUCTANCE: .96 mH NOMINAL
- CAPACITANCE: (MEASURED @ 1 KHZ, 0.25 VAC MAX., 25°C \pm 1°C)
LINE TO GROUND: .011 μ F \pm 20%
- LINE TO LINE: .813 μ F \pm 20%
- DISCHARGE RESISTOR: 330 K Ω
- LINE/GROUND AND LINE/LINE: 6000 M Ω (MIN) AT 100 VDC
- INSULATION RESISTANCE: 20°C AND 50% RH (W/O DISCHARGE RESISTOR)

RECOMMENDED RECEIVING INSPECTION HIPOT:

- LINES TO GROUND: 2250 VDC FOR 1 MINUTE
- LINE TO LINE: 1450 VDC FOR 1 MINUTE

FILTER APPROVAL:

THE BEST WAY TO SELECT AND QUALIFY A FILTER IS FOR YOUR ENGINEERING TO TEST THE UNIT IN YOUR EQUIPMENT.

50 Ω - 50 Ω (MINIMUM)		INSERTION LOSS				
FREQUENCY MHz	15	5	10	20	30	
COMMON dB	15	30	38	32	43	40
DIFF. dB	40	65	65	65	50	48

This document is proprietary to CORCOM INC. and is not to be reproduced nor used for manufacturing purposes except on CORCOM's order or prior written consent.



CORCOM
LIBERTYVILLE, IL 60048

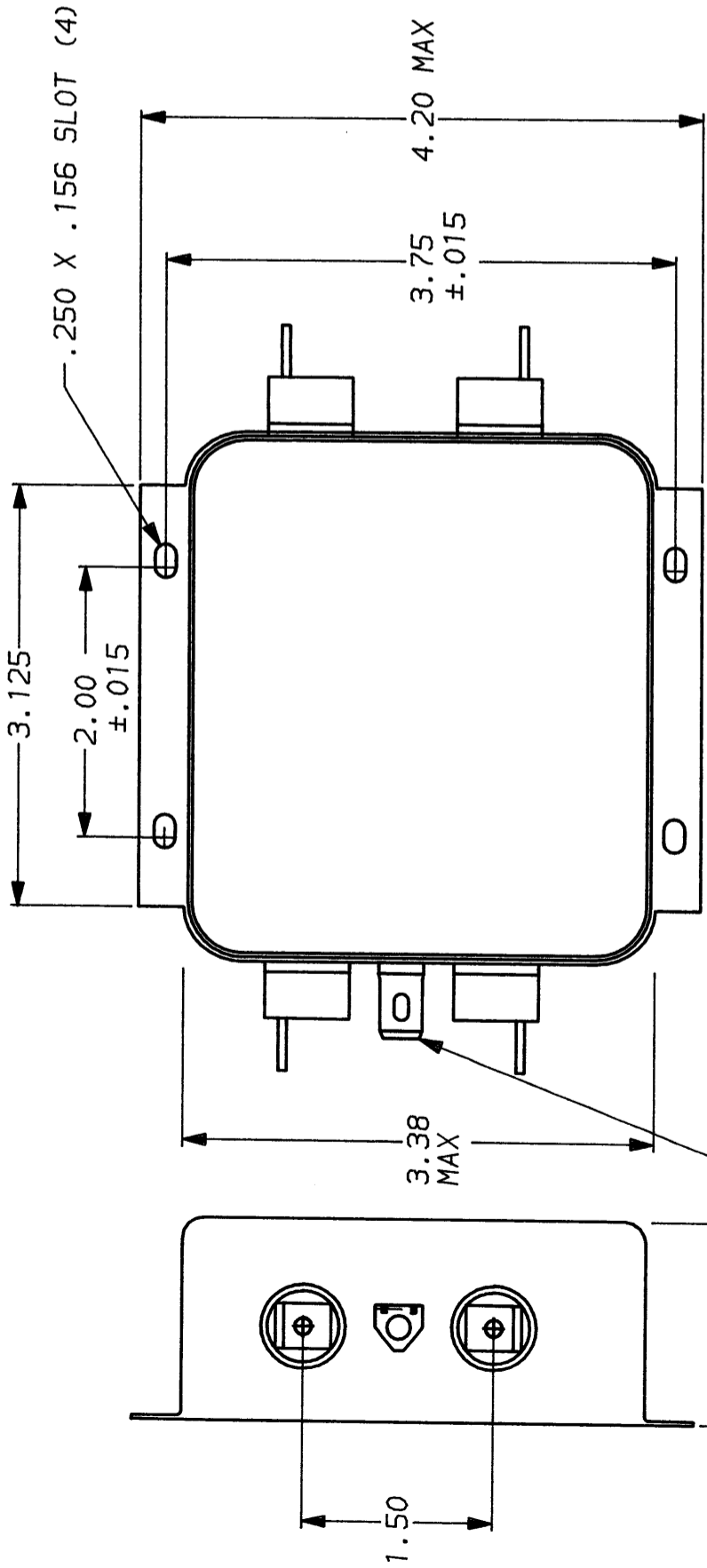
POWER LINE FILTER

SCALE	DATE	DRG. NO.	REV.
NTS	9-12-89		
DRW. BY	ORIGINATOR		
TDL	CW		

FINISH: AS SUPPLIED

AS SUPPLIED

20VS1.07



.250 FASTON .069 \pm .003 HOLE (5 PLACES)

