



Chipsmall Limited consists of a professional team with an average of over 10 year of expertise in the distribution of electronic components. Based in Hongkong, we have already established firm and mutual-benefit business relationships with customers from,Europe,America and south Asia,supplying obsolete and hard-to-find components to meet their specific needs.

With the principle of “Quality Parts,Customers Priority,Honest Operation,and Considerate Service”,our business mainly focus on the distribution of electronic components. Line cards we deal with include Microchip,ALPS,ROHM,Xilinx,Pulse,ON,Everlight and Freescale. Main products comprise IC,Modules,Potentiometer,IC Socket,Relay,Connector.Our parts cover such applications as commercial,industrial, and automotives areas.

We are looking forward to setting up business relationship with you and hope to provide you with the best service and solution. Let us make a better world for our industry!



Contact us

Tel: +86-755-8981 8866 Fax: +86-755-8427 6832

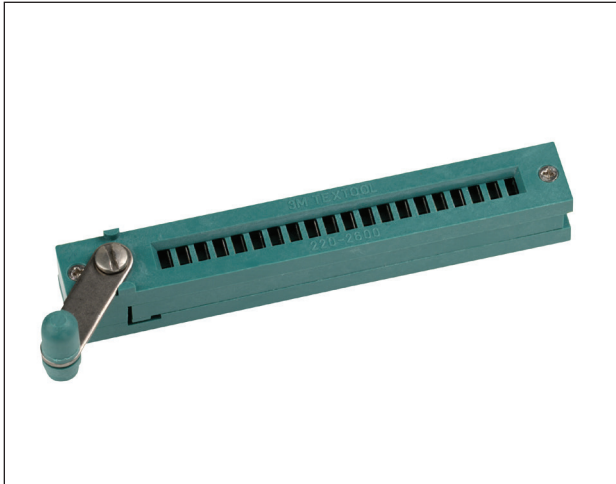
Email & Skype: info@chipsmall.com Web: www.chipsmall.com

Address: A1208, Overseas Decoration Building, #122 Zhenhua RD., Futian, Shenzhen, China



3M™ Textool™ ZIP Strip Sockets

.100" [2.54 mm] In-Line ZIP Strip Sockets



- For single-in-line packages on .100" (2.54 mm) centers
- Can be used in sets of two or more to create a socket for non-standard leaded packages on 100" (2.54 mm) centers
- SIP pin counts from 10 through 36 leads
- Lever actuated zero insertion force mechanism
- Accepts pins up to .025" (0.6 mm) square
- Socket contact point of .085" (2.2 mm) below top surface of socket
- See Regulatory Information Appendix for chemical compliance information. Paragraphs E1 and C1 apply

Date Modified: January 23, 2014

TS-0362-C
Sheet 1 of 2

Physical

Insulation

Material: Glass Filled Polysulfone

Flammability: UL 94V-0

Color: Green

Marking: 3M Logo & Part Number Identifier

Contact:

Material: Beryllium Copper

Wiping Area: 30 m" (0.76 mm) Gold over 50 m" (1.3 mm) Nickel

Electrical

Current Rating: 1 Amp

Insulation Resistance: $> 1 \times 10^9 \Omega$ at 500 V_{DC}

Withstanding Voltage: 1000 V_{RMS} at Sea Level

Environmental

Temperature Rating: -55°C to +125°C



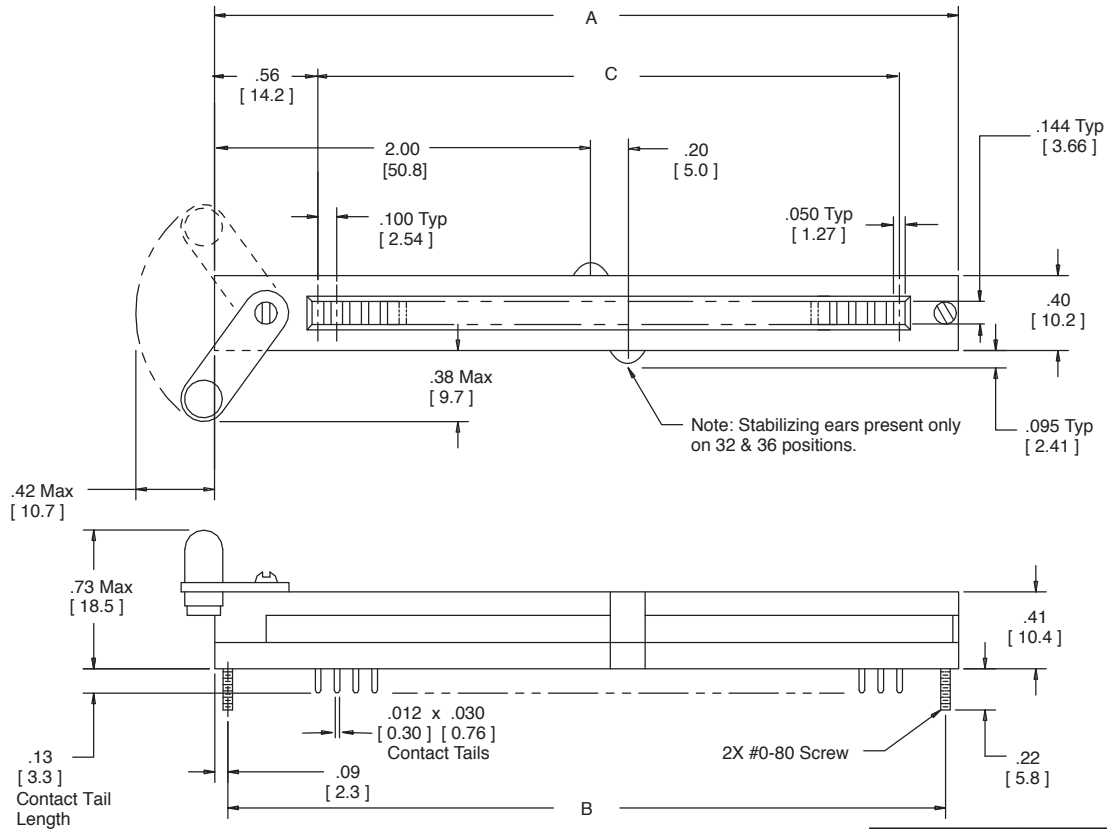
Electronic Solutions Division
Interconnect Solutions
<http://www.3Mconnectors.com>

3M is a trademark of 3M Company.
For technical, sales or ordering information call
800-225-5373

3M™ Textool™ ZIP Strip Sockets

.100" [2.54 mm] In-Line ZIP Strip Sockets

Dimensions			
Contact Quantity	A	B	C
10	1.77 [45.0]	1.59 [40.4]	.900 [22.86]
20	2.75 [69.9]	2.57 [65.3]	1.900 [48.26]
24	3.15 [80.0]	2.97 [75.4]	2.300 [58.42]
32	3.97 [100.8]	3.81 [96.8]	3.100 [78.74]
36	4.35 [110.5]	4.17 [105.9]	3.500 [88.90]



	Tolerance $\frac{\text{inch}}{\text{mm}}$	
Dimension	.00 (.0)	.000 (.00)
Tolerance	±.010 (±.25)	±.005 (±.13)

Ordering Information

Socket Part Number	Contact Quantity
210-2599-00-0602	10
220-2600-00-0602	20
224-5809-00-0602	24
232-2601-00-0602	32
236-6225-00-0602	36

TS-0362-C
Sheet 2 of 2



Electronic Solutions Division
Interconnect Solutions
<http://www.3Mconnectors.com>

3M is a trademark of 3M Company.
For technical, sales or ordering information call
800-225-5373

Important Notice

All statements, technical information, and recommendations related to 3M's products are based on information believed to be reliable, but the accuracy or completeness is not guaranteed. Before using this product, you must evaluate it and determine if it is suitable for your intended application. You assume all risks and liability associated with such use. Any statements related to the product which are not contained in 3M's current publications, or any contrary statements contained on your purchase order shall have no force or effect unless expressly agreed upon, in writing, by an authorized officer of 3M.

Warranty; Limited Remedy; Limited Liability.

This product will be free from defects in material and manufacture for a period of one (1) year from the time of purchase. **3M MAKES NO OTHER WARRANTIES INCLUDING, BUT NOT LIMITED TO, ANY IMPLIED WARRANTY OF MERCHANTABILITY OR FITNESS FOR A PARTICULAR PURPOSE.** If this product is defective within the warranty period stated above, your exclusive remedy shall be, at 3M's option, to replace or repair the 3M product or refund the purchase price of the 3M product. **Except where prohibited by law, 3M will not be liable for any indirect, special, incidental or consequential loss or damage arising from this 3M product, regardless of the legal theory asserted.**

**3M Electronics Solutions Division**

6801 River Place Blvd.
Austin, TX 78726-9000
U.S.A.
1-800-225-5373
www.3Mconnectors.com

Please recycle. Printed in USA.
© 3M 2014. All rights reserved.
RIA-2217B-E

3M and Textool are trademarks of 3M Company.