



Chipsmall Limited consists of a professional team with an average of over 10 year of expertise in the distribution of electronic components. Based in Hongkong, we have already established firm and mutual-benefit business relationships with customers from,Europe,America and south Asia,supplying obsolete and hard-to-find components to meet their specific needs.

With the principle of “Quality Parts,Customers Priority,Honest Operation,and Considerate Service”,our business mainly focus on the distribution of electronic components. Line cards we deal with include Microchip,ALPS,ROHM,Xilinx,Pulse,ON,Everlight and Freescale. Main products comprise IC,Modules,Potentiometer,IC Socket,Relay,Connector.Our parts cover such applications as commercial,industrial, and automotives areas.

We are looking forward to setting up business relationship with you and hope to provide you with the best service and solution. Let us make a better world for our industry!



Contact us

Tel: +86-755-8981 8866 Fax: +86-755-8427 6832

Email & Skype: info@chipsmall.com Web: www.chipsmall.com

Address: A1208, Overseas Decoration Building, #122 Zhenhua RD., Futian, Shenzhen, China



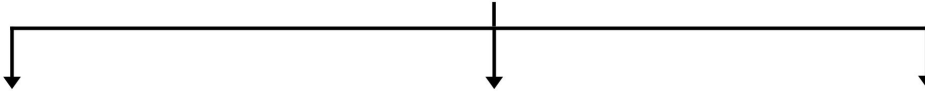
200 Series



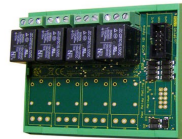
200 Transmitter



210 Receiver



215 Relay Output



216 Relay Output



230 Relay Output

Features

- Simple to Use Remote Control
- 8 Channels per Transmitter
- 16 Channels per Receiver
- Upto 48 Transmitters per system
- Auto Transmit Mode
- Secure RF Protocol
- Automatic 'Watchdog' Transmission
- Range:
 - Upto 200 metres at 433MHz
 - Upto 1,000 metres at 433MHz Narrow Band
 - Upto 6,000 metres at 458MHz
- Requires no radio license
- Relay Outputs upto 30A @ 230Vac
- All Modules supplied with Antenna

Description

Remote Telemetry Systems are well suited to industrial switching applications where telemetry signals need to be sent remotely from one location to another.

This system allows multiple transmitters to a single receiver or a single transmitter to multiple receivers.

Each Transmitter module accepts up to 8 pairs of 'Volt Free' contacts as inputs via screw terminals. Each Receiver has 16 outputs arranged as 4 x 4 easy plug in connectors to interface to any combination of output modules.

Any of the output modules connect directly to the receiver (cable supplied) to provide transistor switching or relay outputs.

Transmitters

- 8 Input Channels
- Volt Free contact Inputs via Screw Terminals
- 12 / 24Vdc Supply
- Low Power Battery Version

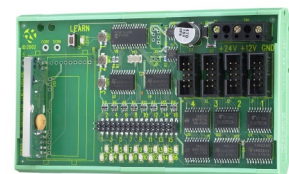


Ordering Information

Part Number	Description	Range**	Freq	Compatible Decoders
200-433FR	FM Transmitter	200	433.92	210-433F
200-525NR	FM Narrow Band Transmitter	1,000	434.525	210-525N
200-458FR	FM High Power Transmitter	6,000	458.850	210-458F

Receivers

- 16 Output Channels
- Volt Free contact Inputs via Screw Terminals
- 12 / 24Vdc Supply
- Low Power Battery Version



Ordering Information

Part Number	Description	Range** (Metres)	Freq (MHz)	Compatible Transmitter
210-433FR	FM Receiver	200	433.92	200-433F
210-525NR	FM Narrow Band Receiver	1,000	434.525	200-525N
210-458FR	FM High Power Receiver	6,000	458.850	200-458F

Output Modules

- Connect Directly to 210 Rx (Cable Supplied)
- No power connections required



Ordering Information

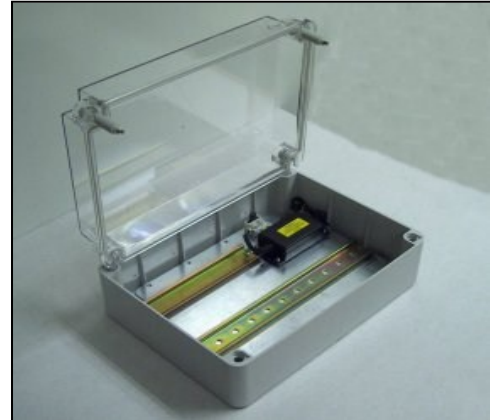
Part Number	Description	No of Outputs	Max Switching (per output)
215	Relay Module	8	5A @230Vac
216	Relay Module	4	5A @230Vac
230	Relays Module	4	30A @230Vac

200 Series



Enclosure / Power Supply

- IP56 Insulation Class 2
- DIN Rails mounted on Steel Plate
- 12Vdc 1A PSU incorporated accepts 110-240Vac (5A Fused)



Dimensions

External 315 x 235 x 130mm

Internal 300 x 220 x 120mm

DIN Rail length 1 285mm

DIN Rail length 2 180mm

Ordering Information

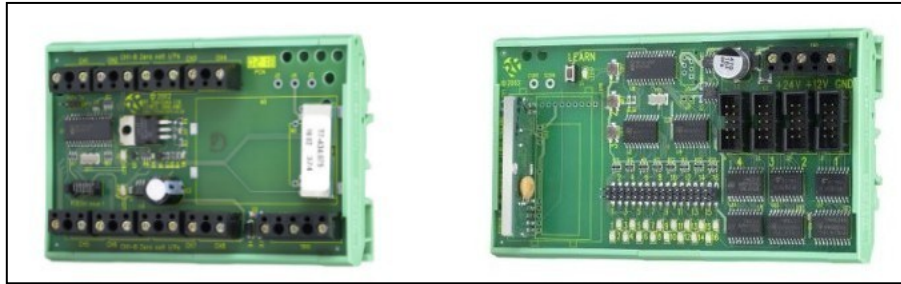
Part No	Description
ENC-DA3	DIN Rail Enclosure Assembly, Two Mounting Rails, 12Vdc PSU Fitted
PSU12V1AIN-IP	Power Supply 110-240Vac input, 12Vdc 1A Output

Custom systems

We regularly supply pre-wired / bespoke systems, please contact our sales department For further assistance.

1. Configuring a Remote Telemetry System

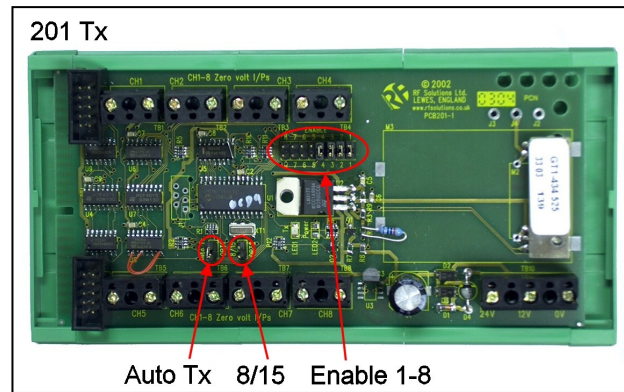
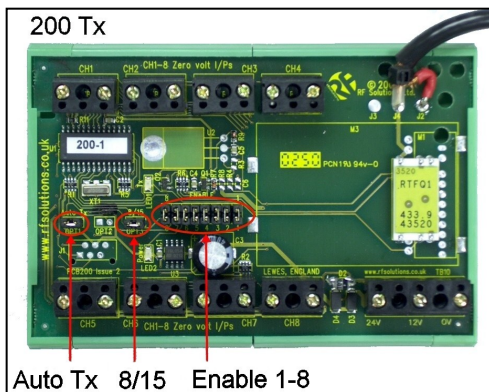
(200Tx -> 210Rx)



There are three Steps:

1. Pre-Configure the 200 series transmitter
2. Pre- Configure the 210Rx to operate with a 200 series transmitter
3. Marry a 200Tx to a 210Rx

1.1 Pre-Configure a 200 Transmitter Encoder



1. Mapping the 200 Transmitter Inputs to the 210 Receiver Outputs

The Remote telemetry system automatically maps the 8 transmitter input channels to 8 receiver output channels. The '8/15' option link on the transmitter allows selection of channels 1-8 or 9-15 on the receiver.

200 Tx Option Link	210 Rx output Channels
Open	1 – 8
Connected	9 – 15

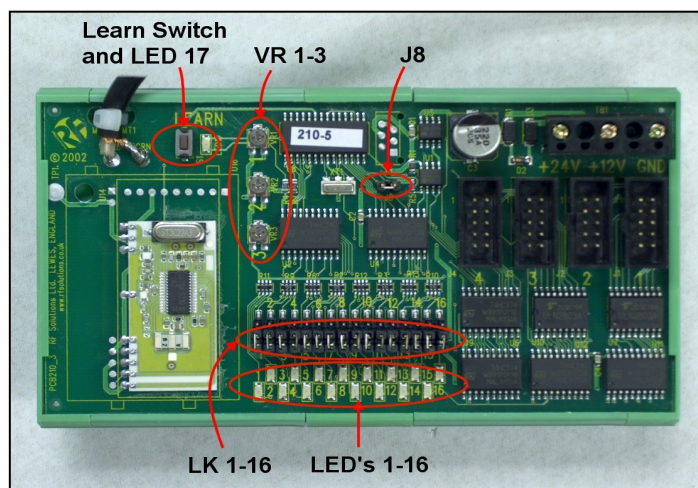
2. Enable Option Links (ENABLE 1-8)

The 200 Transmitters have eight 'Enable' Option links which must be fitted in order for the corresponding input to be valid (otherwise the 210Tx will ignore it). This enables applications where many transmitters are used with a single 210Rx (many to one relationship)

3. Auto Transmit with Watchdog Mode 'Auto Tx'

When the 'Auto Tx' link is made, the 200 Tx automatically transmits its data once within every 5 second period, in addition, channel 16 is allocated as a 'system watchdog'. As long as the 210Rx continues to receive this signal then output '16' is held ON. If for any reason (fault or RF interference) the signal is not received for approx 20secs then output '16' will drop out.

1.2 Pre-Configure a 210Rx to operate with 200 Tx series transmitter



1. Ensure option link J8 is open.
2. Apply power to the 210Rx, All output LEDs flash alternately. This is factory reset default state.
3. Apply power to any 200 Tx and briefly operate any input by shorting any of the input terminals on the transmitter (ensure Enable link is fitted!), to force a transmit.
4. The 210Rx. LED2 flashes 5 times to indicate that the 210Rx is now configured for use with 200 Tx.
5. Each time power is applied the 210Rx, LED2 flashes 5 times to show it is configured to operate with 200Tx transmitters.
6. Configuration is now complete and 200/201 transmitter unit(s) can be learned to the 210Rx receiver.

Note: Option links LK 1-16 have no affect on the operation of the remote telemetry system.

1.3 Marry a 200Tx to a 210Rx

1. On the 200 Tx, remove the Link header 'OPT1' (auto Tx). (prevents automatic transmission during the learn process).
2. On the 210Rx Ensure option link J8 is open.
3. Apply power to the 210Rx, note that LED2 flashes 5 times to show it is configured for use with 200Tx transmitters.
4. Briefly press the 210Rx Learn Switch: Note that the 210Rx Learn LED (LED 17) will flash.
5. Wait until the 210Rx Learn LED has stopped flashing but is still illuminated.
6. Apply power to any 200 Tx and briefly operate any input by shorting any of the input terminals on the Transmitter (ensure Enable link is fitted!), to force a transmit.
7. Note that the 210Rx learn LED will turn off.
8. The learn cycle is now complete and the transmitter/encoder will operate the systems.

1.4 Erasing the 210Rx Receiver Outputs (Return to Factory Default State)

1. To completely erase the 210Rx decoder's memory, press and hold the 210Rx learn switch.
2. The learn LED will illuminate
3. Hold the learn switch until the learn LED extinguishes (approx 10 seconds).
4. Release the learn button and all the output LED's will now flash alternately to indicate that all encoder data has been erased and the 210Rx has returned to factory default state.

Note: It is not possible erase individual transmitters.

1.5 Connecting output Modules to the 210 Receiver

A range of '200' series output modules are available which can be plugged into the 210 Receiver via the four IDC header boxes on the receiver. The selection of output module will be dependant on the application. Please see DS200S-1 for a summary the available modules.

1.6 Connecting an Antenna

The 210Rx has a 200mm flying lead cable (50ohm) with a panel mount BNC socket provided to mount on an enclosure. This cable may be extended however please note that typically there is a 50% range reduction with every 3metres of coax cable used!

For increasing range performance a +3dB gain antenna is available. This is supplied with wall mounting bracket and 2metres of coax cable, it plugs in directly to the 210Rx BNC connector.

1.7 Range

The antenna choice and position directly controls the system range. Keep it clear of other metal in the system. The best position by far, is protruding from the top of the product. This is often not desirable for practical or ergonomic reasons and thus a compromise may be needed. If an internal antenna must be used then try to keep it away from other metal items, and in particular large ones like transformers, batteries and PCB tracks and earth planes.

Note that the space around the antenna is as important as the antenna itself. All radio systems are dependant on a radio signal being received through airspace.

The range quoted is the optimal in direct line of sight without obstacles and in good atmospheric conditions.

Range is affected by many things, for example local environmental conditions, atmospheric conditions, interference from other radio transmitters. For evaluating the local environment please see our RF Meter (DS006)

1.8 Signal Integrity

In systems where many encoders are in close proximity there may be occasions when, due to signal overlay between encoders, it is difficult or impossible to guarantee system integrity. In such circumstances it is the responsibility of the installer to ensure that the system performance is adequate for the purpose of the installation.

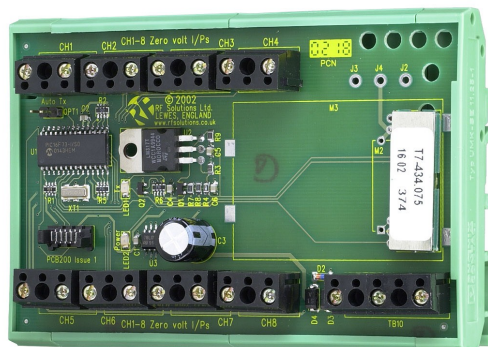
1.9 Information Available

All products are supplied with their relevant datasheets. These are also available for download from the website or on request from RF Solutions Ltd.

Module Technical Specifications

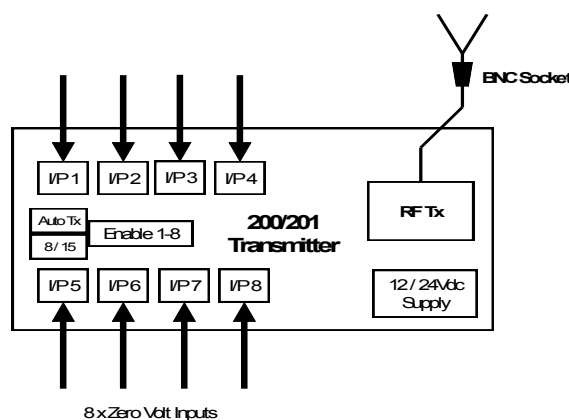
Transmitters

- 8 Input Channels
- Volt Free contact Inputs via Screw Terminals
- 12 / 24Vdc Supply
- Range;
 - ◊ 433MHz up to 200 Metres
 - ◊ 433MHz NB up to 1,000 Metres
 - ◊ 458MHz up to 6,000 Metres
- High Security RF Protocol
- Low Power Battery Version
- Auto Transmit Mode
- Automatic 'Watchdog' Transmission
- Antenna Supplied



This is a simple to use radio transmitter module which can accept 8 pairs of 'Volt free' contacts inputs.

When an input occurs the transmitter will transmit a data packet over the RF link to an associated receiver. (That has been learnt into the transmitter). The transmitter continually monitors the status of its 'inputs'. It transmits a signal on any input change and also can be set to transmit automatically every 15 seconds.



200 Transmitter: Standard transmitter

Ordering Information

Part Number	Description	Range** (Metres)	Freq (MHz)	Compatible Decoders
200-433FR	FM Transmitter	200	433.92	210-433F
200-525NR	FM Narrow Band Transmitter	1,000	434.525	210-525N
200-458FR	FM High Power Transmitter	6,000	458.850	210-458F

** Range stated is optimum, direct line of sight. In worst conditions this can be reduced by upto 50%

200 Series



Technical Specifications

Dimensions: Within DIN Rail: 200Tx : 112 x 82mm (PCB: 109 x 72mm)

Storage Temperature; -10 to +155° C

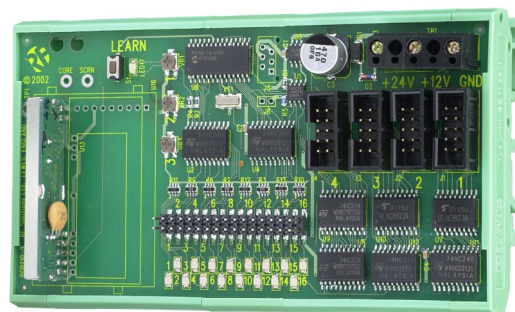
Operating Temperature; -0 to +55° C

Electrical Characteristics	Min	Typical	Max	Units
Supply Voltage: 12V Supply	10	12	16	V
Supply Voltage: 24V Supply	21	24	30	V
Antenna Output Lead Impedance		50		Ohms
Minimum input activation time to trigger transmission		5		ms
433MHz / 433NBMHz Version				
Supply Current: Quiescent		10		mA
Supply Current: Transmitting Data	150	170	200	mA
458MHZ Version				
Supply Current: Quiescent		10		mA
Supply Current: Transmitting Data	240	250	270	mA

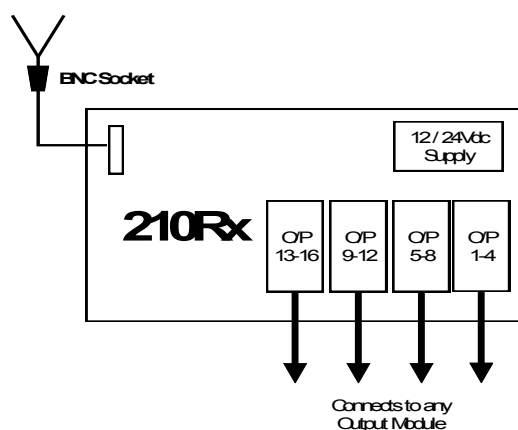
200 Transmitter Current Consumption	Min	Typical	Max	Units
433MHz / 433NBMHz Version				
Supply Current: Quiescent		10		mA
Supply Current: Transmitting Data	150	170	200	mA
458MHZ Version				
Supply Current: Quiescent		10		mA
Supply Current: Transmitting Data	240	250	270	mA

Receivers

This DIN rail module performs the radio reception and decoding for the 200 series modules. It has four output connectors each with four digital outputs and displays the output status on LED's 1-16. Any of the DIN Rail output modules plug into these connectors marked 1-4 (Connecting cable supplied with output module).



Connector	O/P Channels
1	1 - 4
2	5 - 8
3	9 - 12
4	13 - 16



Technical Specifications

Dimensions: Within DIN Rail: 138 x 82mm (PCB: 133 x 72mm)

Storage Temperature; -10 to +70°C

Operating Temperature; -0 to +55°C

Electrical Characteristics	Min	Typical	Max	Units
Supply Voltage: 12V Supply	10	12	16	V
Supply Voltage: 24V Supply	21	24	30	V
Supply Current : Quiescent		25		mA
Time from Tx Switch depressed to 210Rx output			100	mSecs
Time from Tx Switch release to Decoder output			200	mSecs
Switched output Voltage (I out = 1mA)				
Logic Low	0	0.2	0.8	V
Logic High	3.5	3.8	5	V

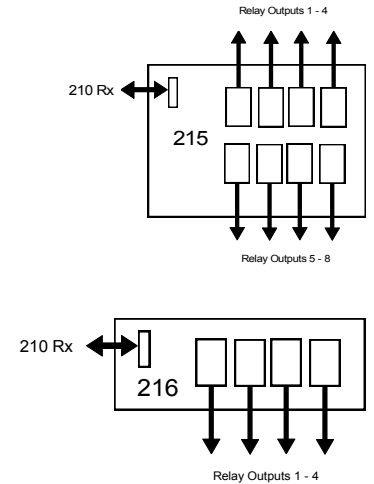
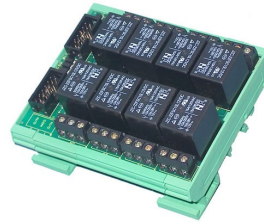
Ordering Information

Part Number	Description
210-433FR	Receiver Decoder 16 Channels DIN Rail Mounting, FM @ 433.92MHz
210-525NR	Receiver Decoder 16 Channels DIN Rail Mounting, FM Narrow Band @ 434.525MHz
210-458FR	Receiver Decoder 16 Channels DIN Rail Mounting, FM High Power @ 458.850MHz

Output Modules

215 & 216 Relay Output Module

- 215 = 8 relays
- 216 = 4 Relays
- Relay outputs rated at 230Vac ,12A peak and 6A continuous current rating.
- ‘normally open’ and ‘normally closed’



Dimensions: Within DIN Rail: 135 x 82mm (PCB: 132 x 72mm)

Storage Temperature; -10 to +70° C

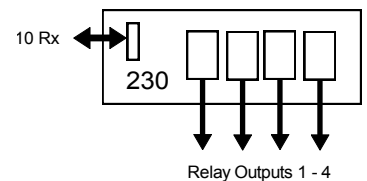
Operating Temperature; -0 to +55° C

Electrical Characteristics	Min	Typical	Max	Units
Supply Voltage	From 210Rx module			
Relay* output Rating (type KB12) at 230Vac		6	12	A

*The relay contacts in this unit are for functional use only and must not be used for isolation purposes

230 Relay Output Module

- 4 relay (type K7SFA12) outputs rated for up to 30A at 230Vac.
- Each relay provides ‘input’ and ‘normally open’ Spade Terminals.



Dimensions: Within DIN Rail: 115 x 82mm (PCB: 109 x 72mm)

Storage Temperature; -10 to +70° C

Operating Temperature; -0 to +55° C

Electrical Characteristics	Min	Typical	Max	Units
Supply Voltage	From 210Rx module			
Relay output Rating @ 230Vac*			30	A
@ 12Vdc			20	A

*The relay contacts in this unit are for functional use only and must not be used for isolation purposes

RF Solutions Ltd. Recycling Notice Meets the following EC Directives:

DO NOT

Discard with normal waste, please recycle.

ROHS Directive 2002/95/EC

Specifies certain limits for hazardous substances.

WEEE Directive 2002/96/EC

Waste electrical & electronic equipment. This product must be disposed of through a licensed WEEE collection point.

Waste Batteries and Accumulators Directive 2006/66/EC

Where batteries are fitted, before recycling the product, the batteries must be removed and disposed of at a licensed collection point.

Environment Agency producer registration

Disclaimer:

Whilst the information in this document is believed to be correct at the time of issue, RF Solutions Ltd does not accept any liability whatsoever for its accuracy, adequacy or completeness. No express or implied warranty or representation is given relating to the information contained in this document. RF Solutions Ltd reserves the right to make changes and improvements to the product(s) described herein without notice. Buyers and other users should determine for themselves the suitability of any such information or products for their own particular requirements or specification(s). RF Solutions Ltd shall not be liable for any loss or damage caused as a result of user's own determination of how to deploy or use RF Solutions Ltd's products. Use of RF Solutions Ltd products or components in life support and/or safety applications is not authorised except with express written approval. No licences are created, implicitly or otherwise, under any of RF Solutions Ltd's intellectual property rights. Liability for loss or damage resulting or caused by reliance on the information contained herein or from the use of the product (including liability resulting from negligence or where RF Solutions Ltd was aware of the possibility of such loss or damage arising) is excluded. This will not operate to limit