



Chipsmall Limited consists of a professional team with an average of over 10 year of expertise in the distribution of electronic components. Based in Hongkong, we have already established firm and mutual-benefit business relationships with customers from,Europe,America and south Asia,supplying obsolete and hard-to-find components to meet their specific needs.

With the principle of “Quality Parts,Customers Priority,Honest Operation,and Considerate Service”,our business mainly focus on the distribution of electronic components. Line cards we deal with include Microchip,ALPS,ROHM,Xilinx,Pulse,ON,Everlight and Freescale. Main products comprise IC,Modules,Potentiometer,IC Socket,Relay,Connector.Our parts cover such applications as commercial,industrial, and automotives areas.

We are looking forward to setting up business relationship with you and hope to provide you with the best service and solution. Let us make a better world for our industry!



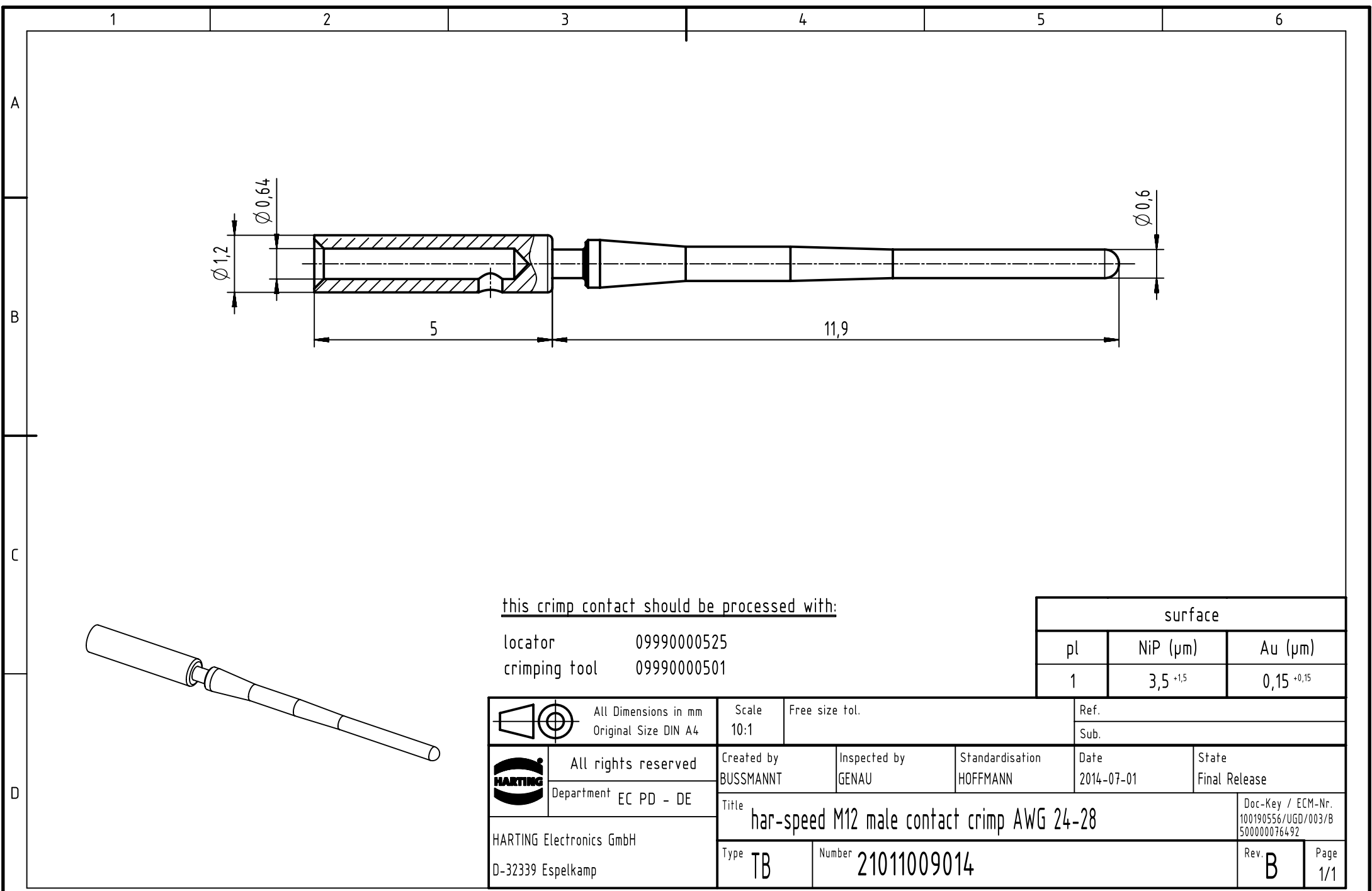
Contact us

Tel: +86-755-8981 8866 Fax: +86-755-8427 6832

Email & Skype: info@chipsmall.com Web: www.chipsmall.com

Address: A1208, Overseas Decoration Building, #122 Zhenhua RD., Futian, Shenzhen, China






this crimp contact should be processed with:

locator 09990000525
 crimping tool 09990000501

surface		
pl	NiP (μm)	Au (μm)
1	3,5 ^{+1,5}	0,15 ^{+0,15}

	All Dimensions in mm Original Size DIN A4		Scale 10:1	Free size tol.		Ref.	
	All rights reserved Department EC PD - DE		Created by BUSSMANT	Inspected by GENAU	Standardisation HOFFMANN	Date 2014-07-01	State Final Release
HARTING Electronics GmbH D-32339 Espelkamp		Title har-speed M12 male contact crimp AWG 24-28				Doc-Key / ECM-Nr. 100190556/UGD/003/B 500000076492	
		Type TB	Number 21011009014			Rev. B	Page 1/1