



Chipsmall Limited consists of a professional team with an average of over 10 year of expertise in the distribution of electronic components. Based in Hongkong, we have already established firm and mutual-benefit business relationships with customers from,Europe,America and south Asia,supplying obsolete and hard-to-find components to meet their specific needs.

With the principle of “Quality Parts,Customers Priority,Honest Operation,and Considerate Service”,our business mainly focus on the distribution of electronic components. Line cards we deal with include Microchip,ALPS,ROHM,Xilinx,Pulse,ON,Everlight and Freescale. Main products comprise IC,Modules,Potentiometer,IC Socket,Relay,Connector.Our parts cover such applications as commercial,industrial, and automotives areas.

We are looking forward to setting up business relationship with you and hope to provide you with the best service and solution. Let us make a better world for our industry!



Contact us

Tel: +86-755-8981 8866 Fax: +86-755-8427 6832

Email & Skype: info@chipsmall.com Web: www.chipsmall.com

Address: A1208, Overseas Decoration Building, #122 Zhenhua RD., Futian, Shenzhen, China



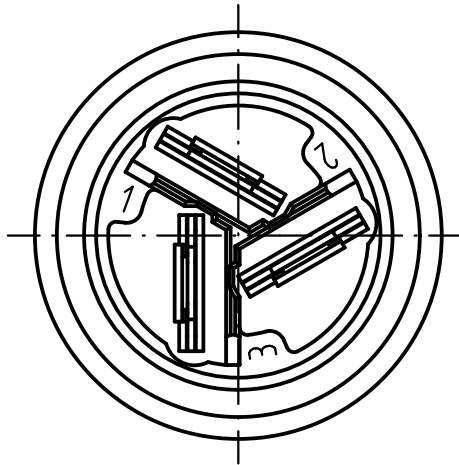
5

4

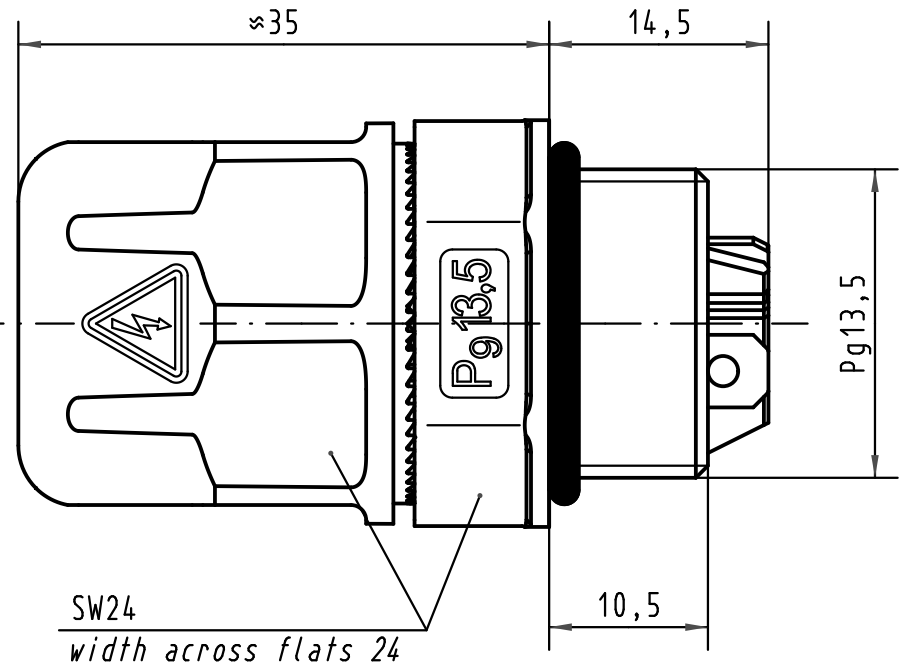
3

2

1

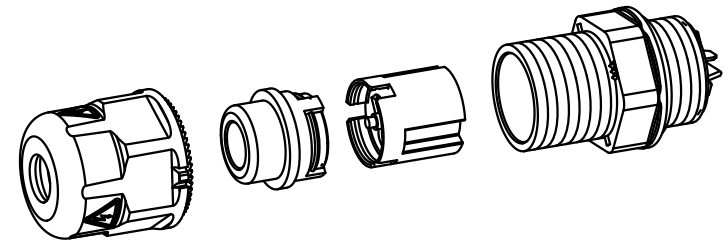
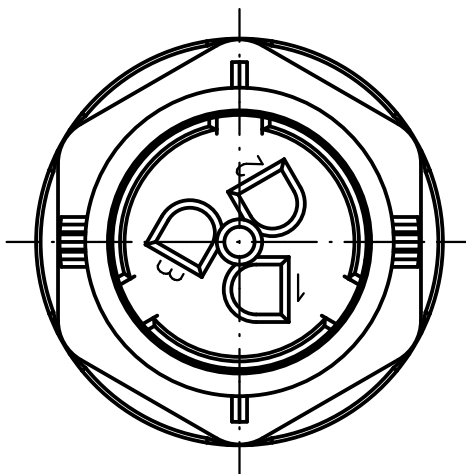


X →



SW24
width across flats 24

X
ohne Überwurfmutter und Dichteinsatz
without screw cap and sealing



All Dimensions in mm Original Size DIN A 4			Techn. Character.			Nicht tolerierte Maße/Free size tolerances			
				Dat.	Name	Maßstab/Scale 2:1	HARAX® Pg13,5 Handlötanschluss 3polig Solder termination 3poles bleifrei/lead free		
EC01883	17.05.10	DY	Detail.	27.05.04	Bor				
413407	01.10.07	DY	Insp.		Sr				
411606	02.08.05	DY	Stand.						
411719	25.07.05	Ste	HARTING Electronics GmbH & Co. KG D-32339 ESPELKAMP				TB 21 01 130 1023		
411057									
Mod.	Dat.	Name							Blatt/page /