



Chipsmall Limited consists of a professional team with an average of over 10 year of expertise in the distribution of electronic components. Based in Hongkong, we have already established firm and mutual-benefit business relationships with customers from,Europe,America and south Asia,supplying obsolete and hard-to-find components to meet their specific needs.

With the principle of “Quality Parts,Customers Priority,Honest Operation,and Considerate Service”,our business mainly focus on the distribution of electronic components. Line cards we deal with include Microchip,ALPS,ROHM,Xilinx,Pulse,ON,Everlight and Freescale. Main products comprise IC,Modules,Potentiometer,IC Socket,Relay,Connector.Our parts cover such applications as commercial,industrial, and automotives areas.

We are looking forward to setting up business relationship with you and hope to provide you with the best service and solution. Let us make a better world for our industry!



## Contact us

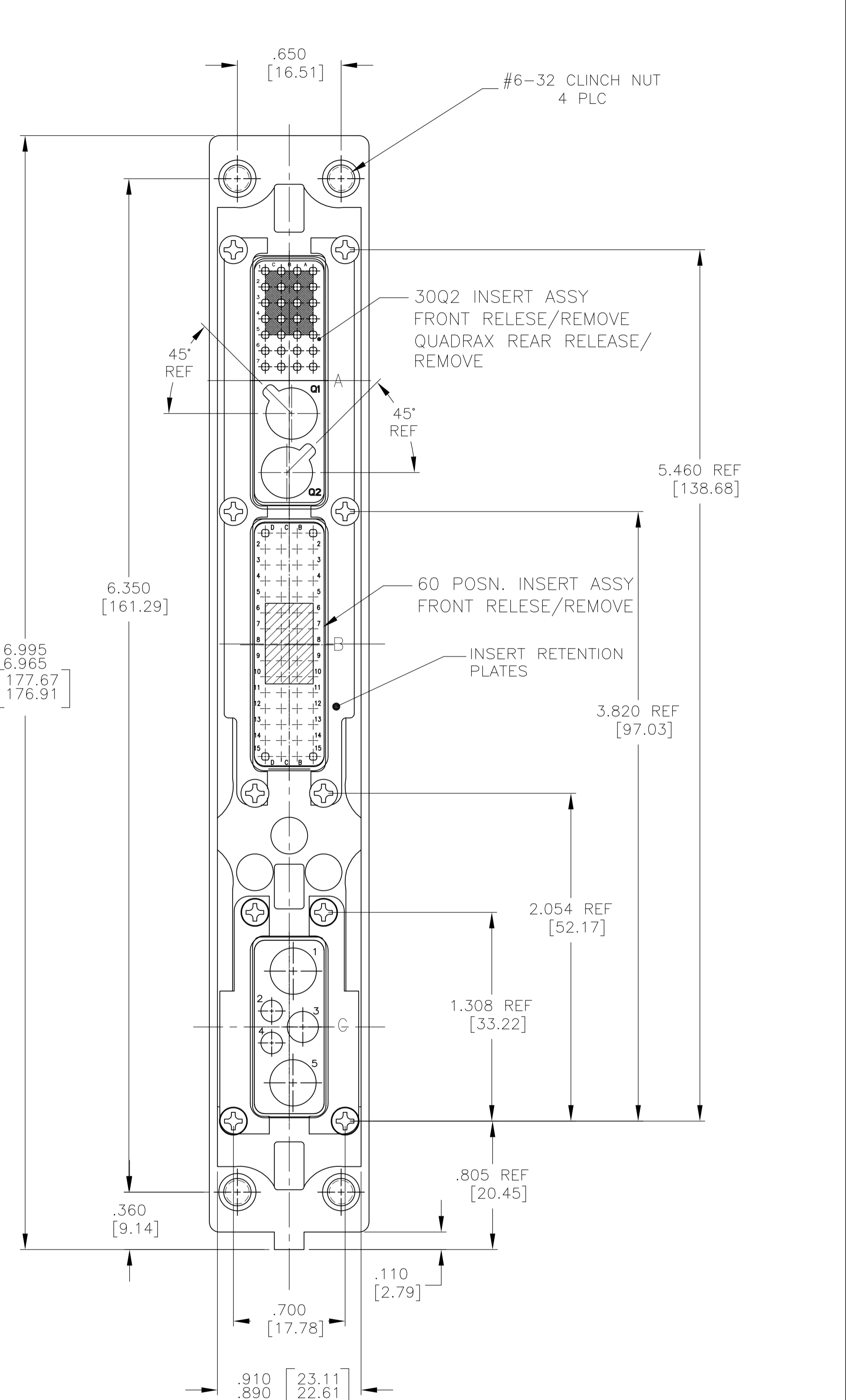
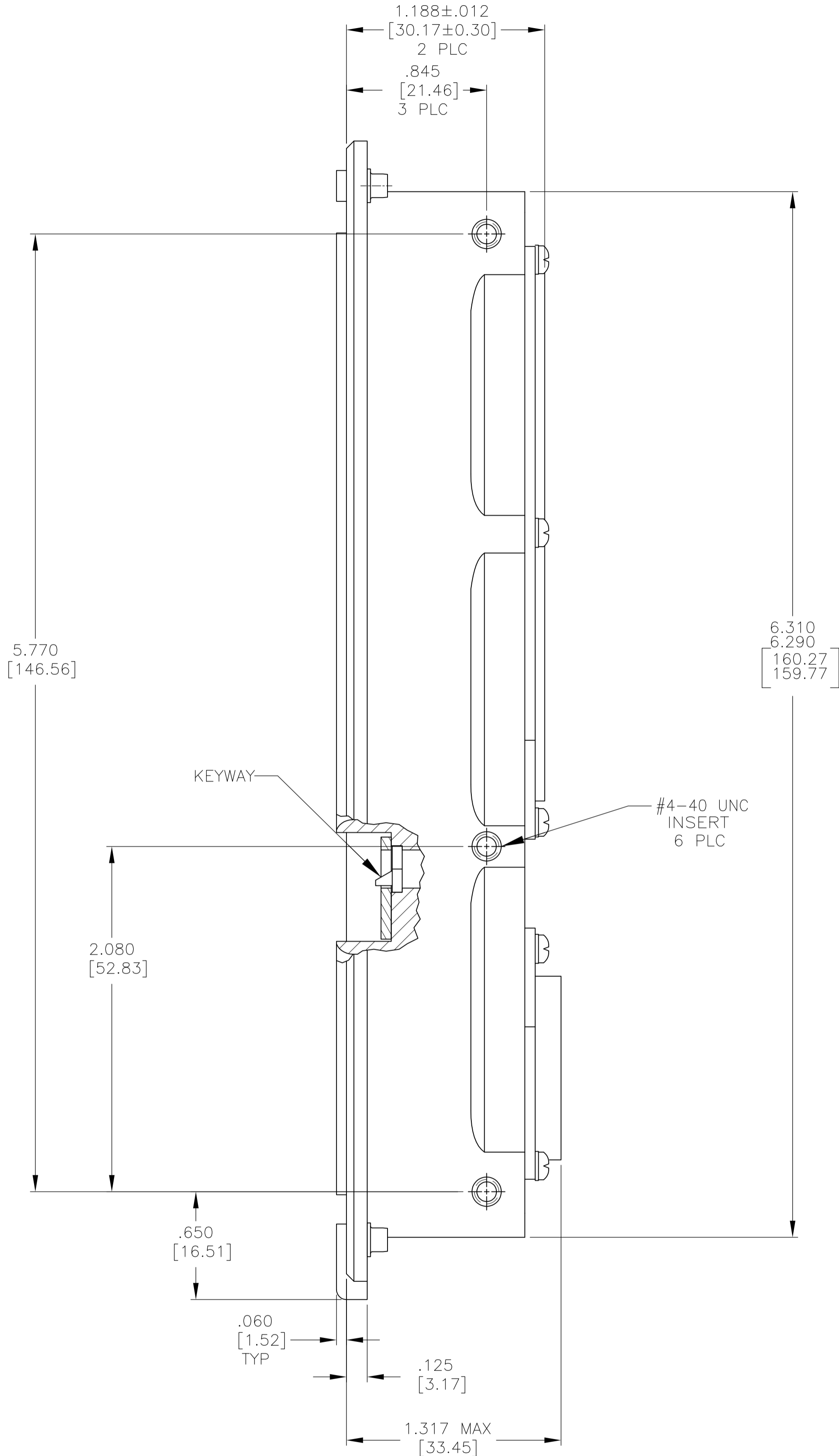
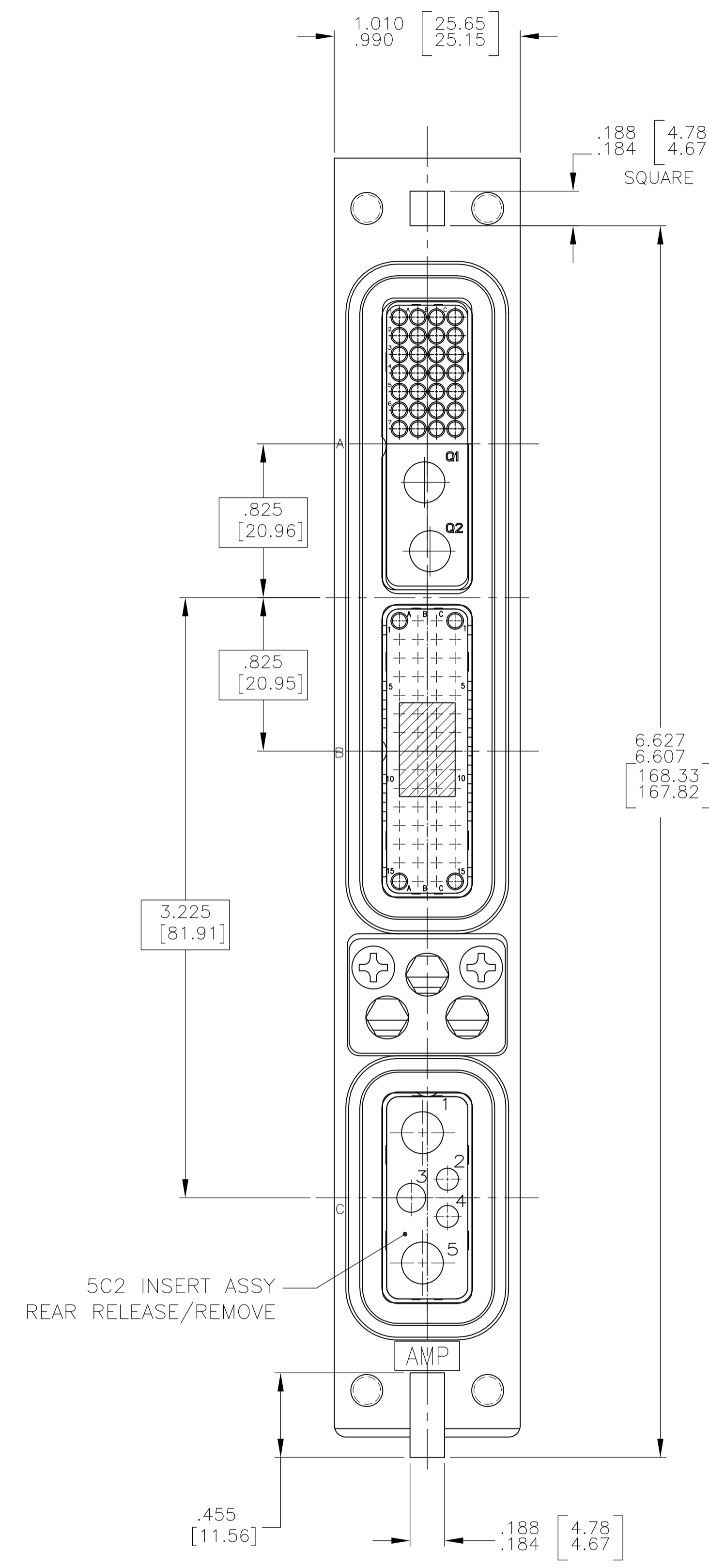
Tel: +86-755-8981 8866 Fax: +86-755-8427 6832

Email & Skype: info@chipsmall.com Web: www.chipsmall.com

Address: A1208, Overseas Decoration Building, #122 Zhenhua RD., Futian, Shenzhen, China



LOC		DIST		REVISIONS			
P	LTR	DESCRIPTION	DATE	DN	APVD		
B		REVISED 30T2 TO 30Q2	2-16-09	CT	KT		



- CONNECTOR DIMENSIONS ARE PER ARINC 600 SPECIFICATION
- CONTACTS ARE NOT INCLUDED WITH THIS CONNECTOR.
- KEYING SHOWN IN POSITION "01" FOR REFERENCE ONLY. SEE TABLE FOR KEYING POSITION. FOR POSITION "00" KEYING SHIPPED UNASSEMBLED.

COMPONENT	MATERIAL	FINISH
SHELL	DIE CAST ALUMINUM PER ASTM-B-85	ELECTROLESS NICKEL PER MIL-C-26074 CLASS 4, GRADE B
RETENTION PLATES	ALUMINUM ALLOY PER ASTM-B-209	ELECTROLESS NICKEL PER MIL-C-26074 CLASS 4, GRADE B
SCREWS AND LOCKWASHERS	STEEL OR STAINLESS STEEL	CHROMATE OVER ZINC OR PASSIVATED
POLARIZING KEYS	ZINC ALLOY PER ASTM-B-86	-
POLARIZING KEY RETAINING PLATE	ALUMINUM ALLOY PER ASTM-B-209	BLUE ANODIZED PER MIL-A-8625
INSERTS	THERMOSET	-
QUADRAX INSERT HALF	ALUMINUM ALLOY	ELECTROLESS NICKEL

THIS DRAWING IS A CONTROLLED DOCUMENT.

DIMENSIONS: INCHES (mm)	TOLERANCES UNLESS OTHERWISE SPECIFIED:
0 PLC ± -	1 PLC ± -
1 PLC ± -	2 PLC ± -
2 PLC ± -	3 PLC ± .005 (0.13)
3 PLC ± -	4 PLC ± -
4 PLC ± -	ANGLES ± -

MATERIAL SEE TABLE FINISH SEE TABLE

"00"	2101141-1
KEYING POSITION	PART NUMBER
THIS DRAWING IS A CONTROLLED DOCUMENT. DIMENSIONS: INCHES (mm) TOLERANCES UNLESS OTHERWISE SPECIFIED: 0 PLC ± - 1 PLC ± - 2 PLC ± - 3 PLC ± .005 (0.13) 4 PLC ± - ANGLES ± - MATERIAL SEE TABLE FINISH SEE TABLE	
APVD: K. THACKSTON 1-14-09 NAME: RCPT ASSY, SIZE 1, ARINC 600 (30Q2/60/5C2) APPLICATION SPEC: - WEIGHT: - CUSTOMER DRAWING: -	
DWN: C.C. THOMAS 1-14-09 CHK: K. THACKSTON 1-14-09 PRODUCT SPEC: - SIZE: A1 CAGE CODE: 00779 DRAWING NO: 2101141 SCALE: 2:1	Tyco Electronics Corporation Harrisburg, Pa 17105-3608 RESTRICTED TO: - SHEET 1 OF 1 REV B