



Chipsmall Limited consists of a professional team with an average of over 10 year of expertise in the distribution of electronic components. Based in Hongkong, we have already established firm and mutual-benefit business relationships with customers from,Europe,America and south Asia,supplying obsolete and hard-to-find components to meet their specific needs.

With the principle of “Quality Parts,Customers Priority,Honest Operation,and Considerate Service”,our business mainly focus on the distribution of electronic components. Line cards we deal with include Microchip,ALPS,ROHM,Xilinx,Pulse,ON,Everlight and Freescale. Main products comprise IC,Modules,Potentiometer,IC Socket,Relay,Connector.Our parts cover such applications as commercial,industrial, and automotives areas.

We are looking forward to setting up business relationship with you and hope to provide you with the best service and solution. Let us make a better world for our industry!



## Contact us

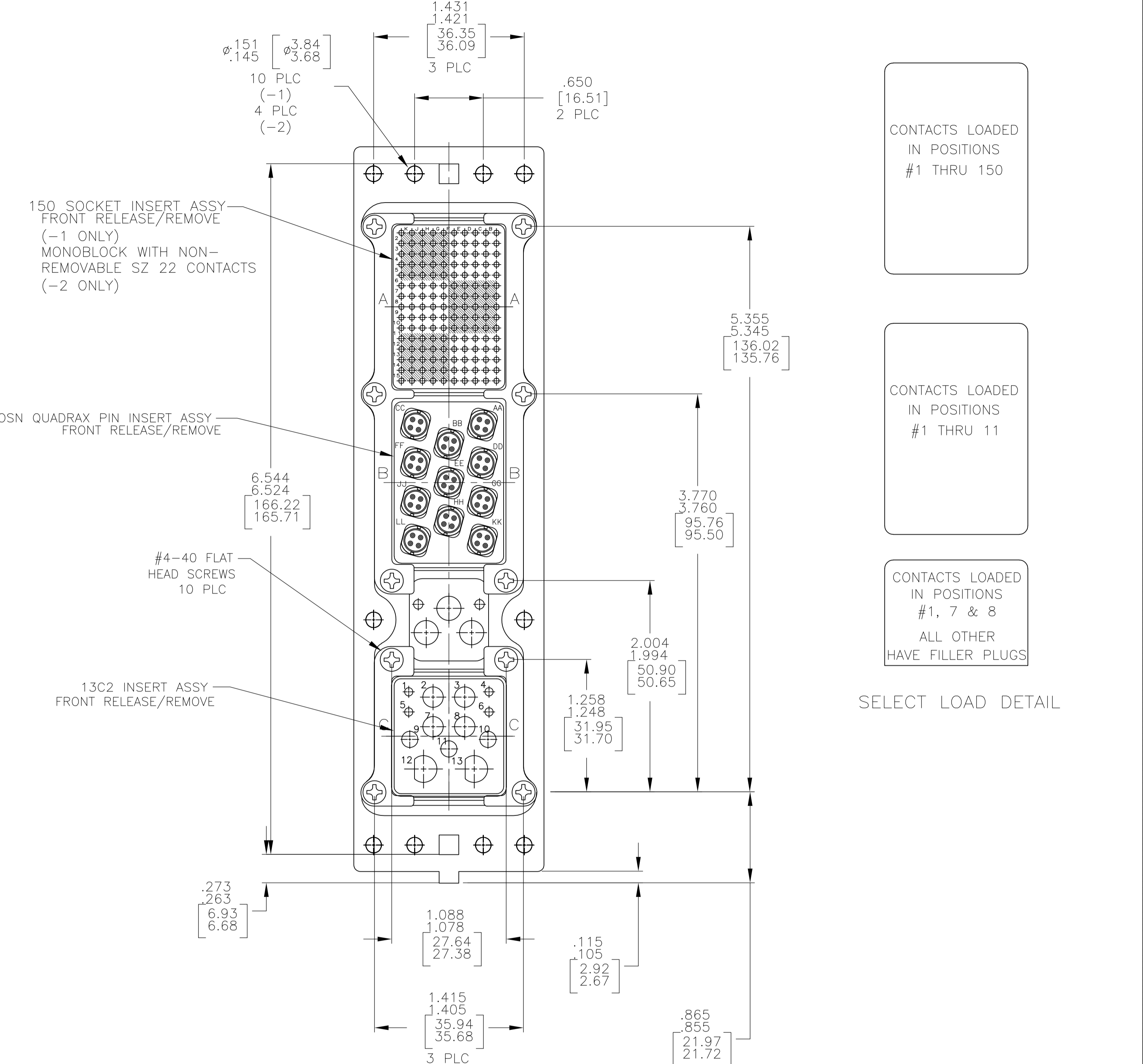
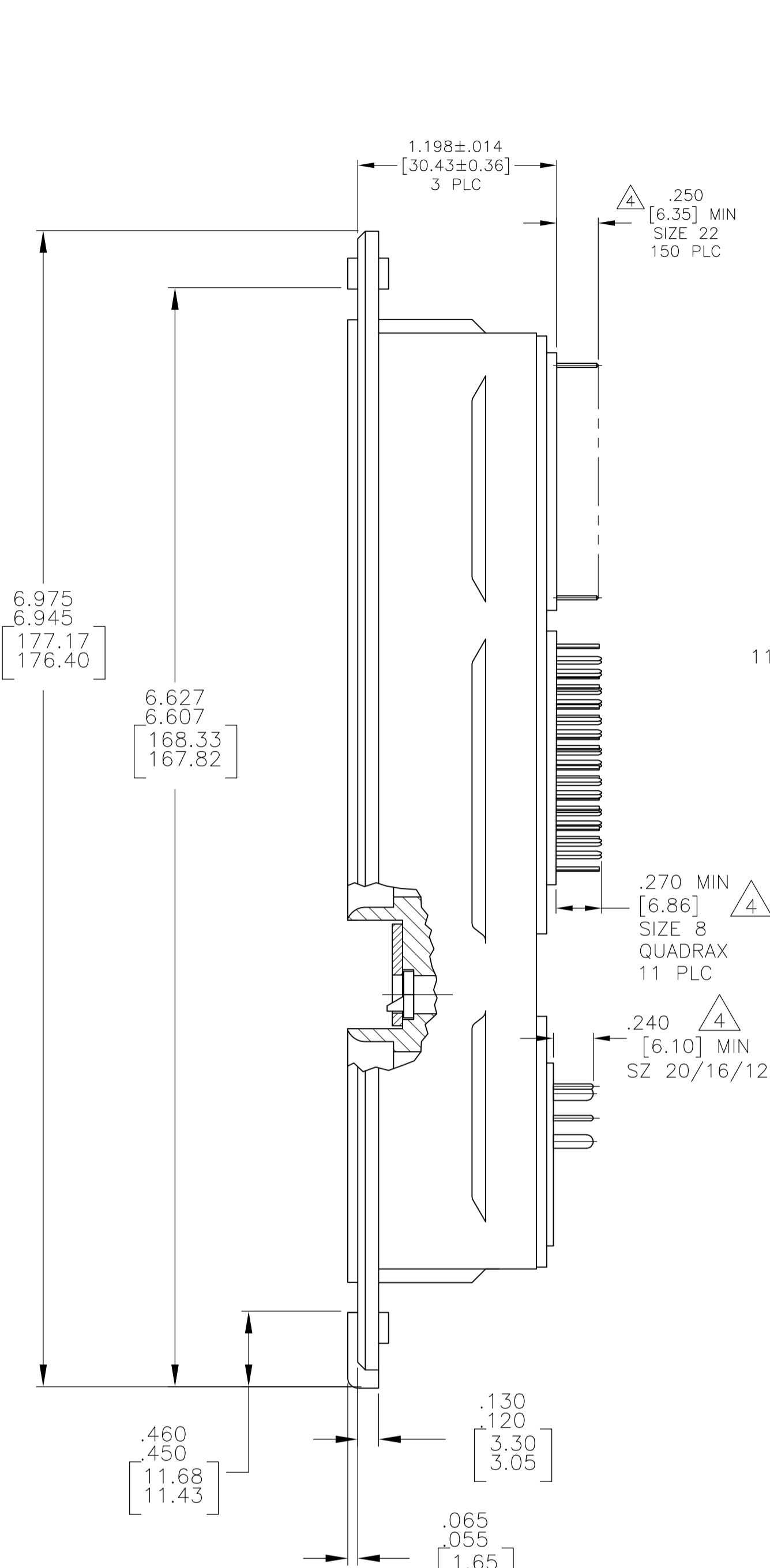
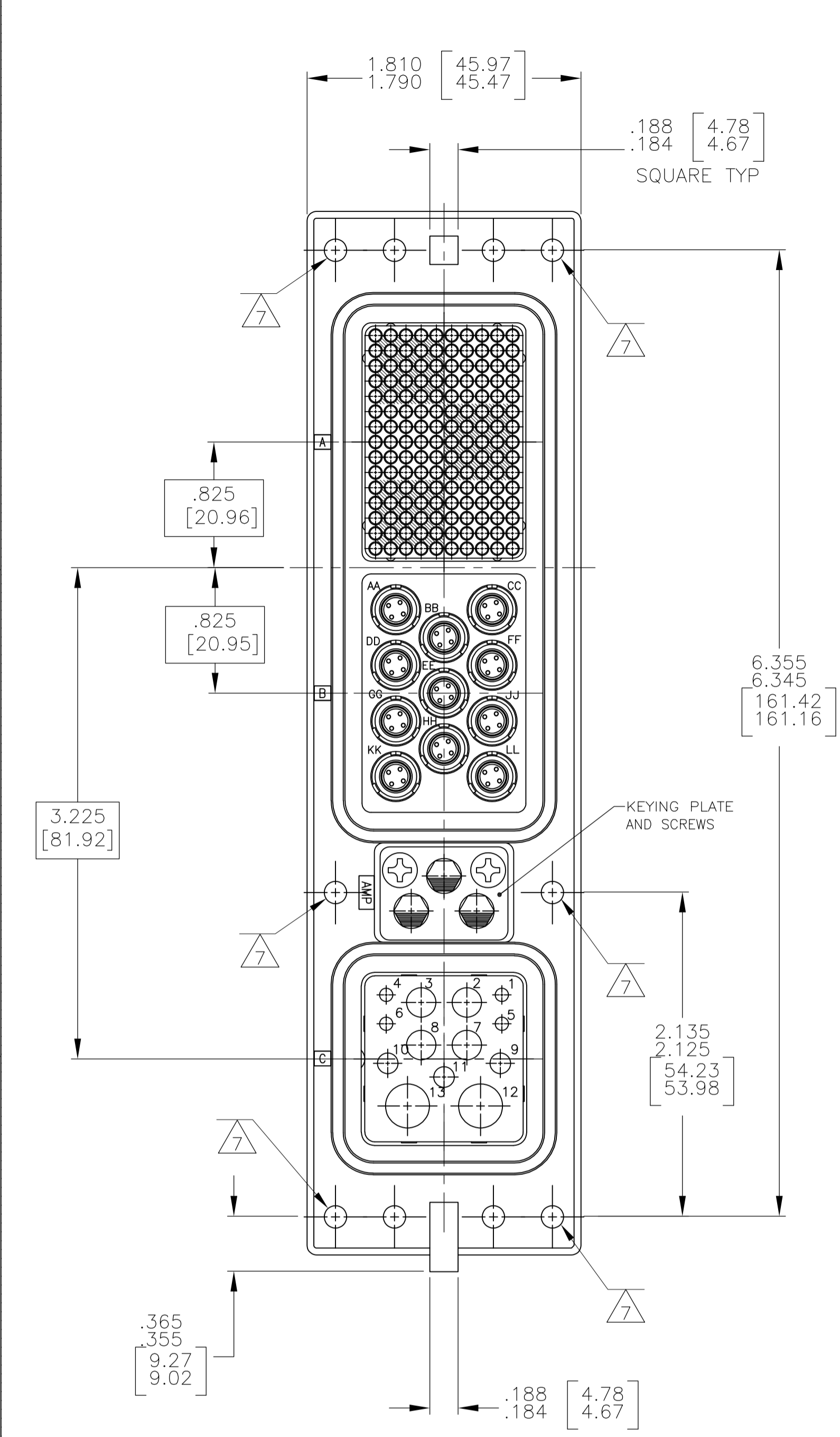
Tel: +86-755-8981 8866 Fax: +86-755-8427 6832

Email & Skype: info@chipsmall.com Web: www.chipsmall.com

Address: A1208, Overseas Decoration Building, #122 Zhenhua RD., Futian, Shenzhen, China



REVOLUTIONS		DATE	BY	APP'D
NO.	DESCRIPTION			
1	REV PER ECO 12-014358	8-7-12	CT	WB



CONTACTS LOADED IN POSITIONS #1 THRU 150

CONTACTS LOADED IN POSITIONS #1 THRU 11

CONTACTS LOADED IN POSITIONS #1, 7 & 8  
ALL OTHER HAVE FILLER PLUGS

SELECT LOAD DETAIL

- CONNECTOR DIMENSIONS ARE PER ARINC 600 SPECIFICATION.
  - DUST COVER IS INSTALLED FOR SHIPPING.
  - KEYING SHOWN IN POSITION "01" FOR ILLUSTRATION ONLY. CONNECTORS SHIPPED WITH KEYING INSTALLED IN POSITION PER TABLE. FOR POSITION "00" KEYING HARDWARE SHIPPED UNASSEMBLED.
  - WITH CONTACT FULLY SEATED IN CAVITY.
  - CONTACTS NOT SHOWN IN FRONT & REAR VIEWS FOR CLARITY, EXCEPT SIZE 8 QUADRAX.
  - FOLLOWING CONTACTS & FILLER PLUGS ARE INCLUDED AND LOADED: (-1 ONLY)
    - MODULE A; P/N 211431-4; SIZE 22 POSTED SOCKET CONTACT; QTY = 150.
    - MODULE B; P/N 1445626-4; SIZE 8 POSTED QUADRAX CONTACT; QTY = 11
    - MODULE C; P/N 1-448138-2; SIZE 20 POSTED PIN CONTACT; QTY = 1 LOADED IN POSITION 1. P/N 1663767-2; SIZE 20 FILLER PLUG; QTY = 3 LOADED IN POSITION 4, 5 & 6. P/N 1663767-3; SIZE 16 FILLER PLUG; QTY = 3 LOADED IN POSITION 9, 10 & 11. P/N 1-448140-8; SIZE 12 POSTED PIN CONTACT; QTY = 2 LOADED IN POSITION 7 & 8. P/N 1663767-4; SIZE 12 FILLER PLUG; QTY = 2 LOADED IN POSITION 2 & 3. P/N 1484205-1; SIZE 5 FILLER PLUG; QTY = 2
    - FOLLOWING CONTACTS & FILLER PLUGS ARE INCLUDED AND LOADED: (-2 ONLY)
      - MODULE A; SIZE 22 NON-REMOVABLE SOCKET CONTACTS; QTY = 150.
      - MODULE B: SAME AS -1
      - MODULE C: SAME AS -1
- 6-32 CLINCH NUTS INSTALLED IN THESE HOLES. (-2 ONLY)

COMPONENT	MATERIAL	FINISH
SHELL	DIE CAST ALUMINUM PER ASTM-B-85	ELECTROLESS NICKEL PER MIL-C-26074
RETENTION PLATES	ALUMINUM ALLOY PER ASTM-B-209	ELECTROLESS NICKEL PER MIL-C-26074
SCREWS AND LOCKWASHERS	STEEL OR STAINLESS STEEL	CHROMATE OVER ZINC OR PASSIVATED
POLARIZING KEYS	ZINC ALLOY PER ASTM-B-86	-
POLARIZING KEY RETAINING PLATE	ALUMINUM ALLOY PER ASTM-B-209	BLUE ANODIZED PER MIL-A-8625
11Q11 INSERT	ALUMINUM ALLOY	ELECTROLESS NICKEL PER MIL-C-26074
150 & 13Q2 INSERTS	THERMOSET OR PPS	-

THIS DRAWING IS A CONTROLLED DOCUMENT.

DIMENSIONS: INCHES	TOLERANCES UNLESS OTHERWISE SPECIFIED:	DIN C.C.THOMAS 4-8-09	APVD K.THACKSTON 4-9-09
0 PLC ± .005	1 PLC ± .01	2 PLC ± .015	3 PLC ± .02
4 PLC ± .025	ANGLES ± .5°	WEIGHT	RESTRICTED TO

MATERIAL SEE TABLE FINISH SEE TABLE

CUSTOMER DRAWING SCALE 3:2 SHEET 1 OF 1 REV C

STE TE Connectivity

RCPT ASSY, SIZE 2, ARINC 600 (150/11Q11/13Q2) WITH QUADRAX CONTACTS

SIZE A1 CAGE CODE 00779 DRAWING NO. 2101300

"01"	2101300-2
"01"	2101300-1
KEYING POSITION	PART NUMBER