



Chipsmall Limited consists of a professional team with an average of over 10 year of expertise in the distribution of electronic components. Based in Hongkong, we have already established firm and mutual-benefit business relationships with customers from,Europe,America and south Asia,supplying obsolete and hard-to-find components to meet their specific needs.

With the principle of “Quality Parts,Customers Priority,Honest Operation,and Considerate Service”,our business mainly focus on the distribution of electronic components. Line cards we deal with include Microchip,ALPS,ROHM,Xilinx,Pulse,ON,Everlight and Freescale. Main products comprise IC,Modules,Potentiometer,IC Socket,Relay,Connector.Our parts cover such applications as commercial,industrial, and automotives areas.

We are looking forward to setting up business relationship with you and hope to provide you with the best service and solution. Let us make a better world for our industry!



Contact us

Tel: +86-755-8981 8866 Fax: +86-755-8427 6832

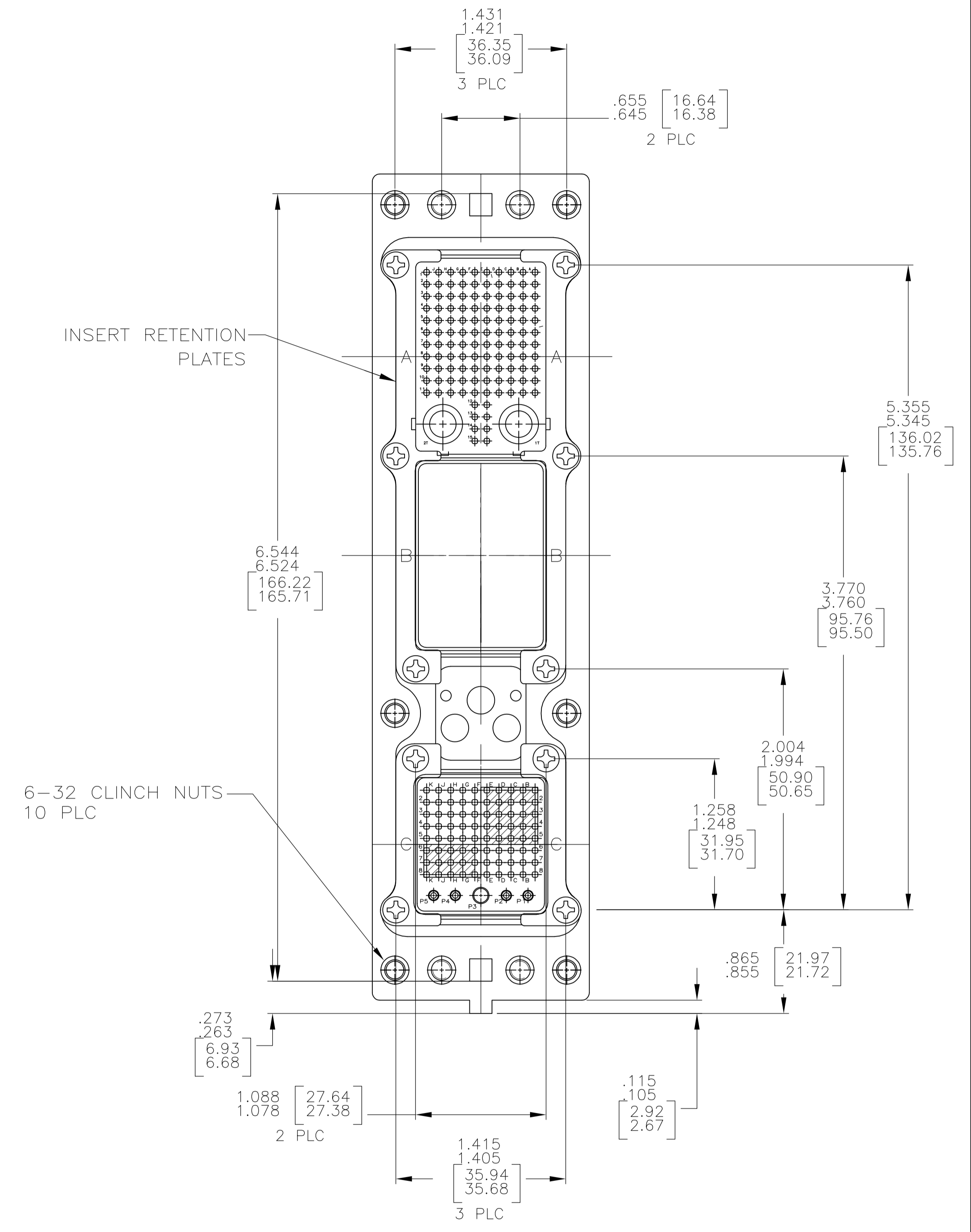
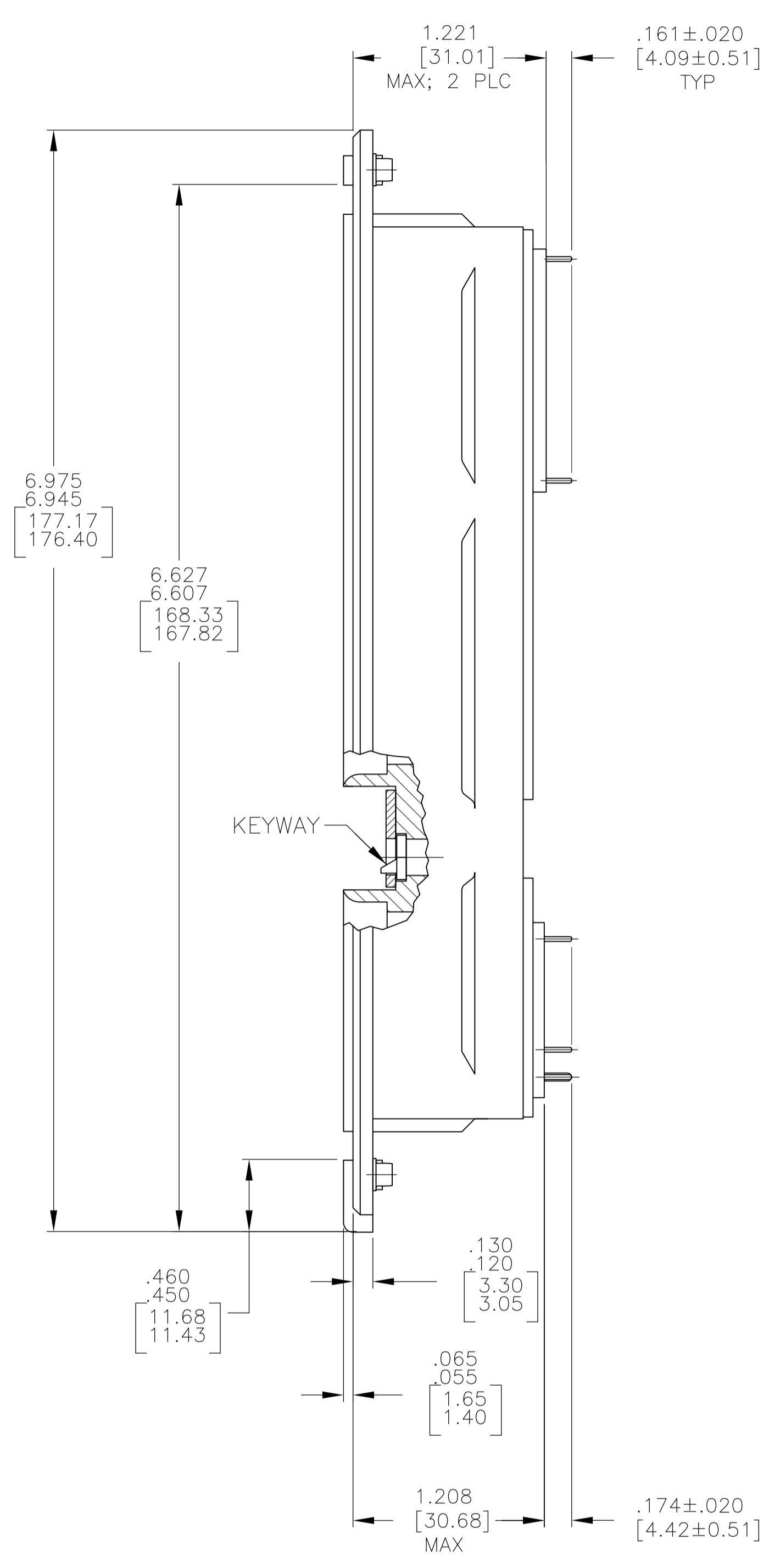
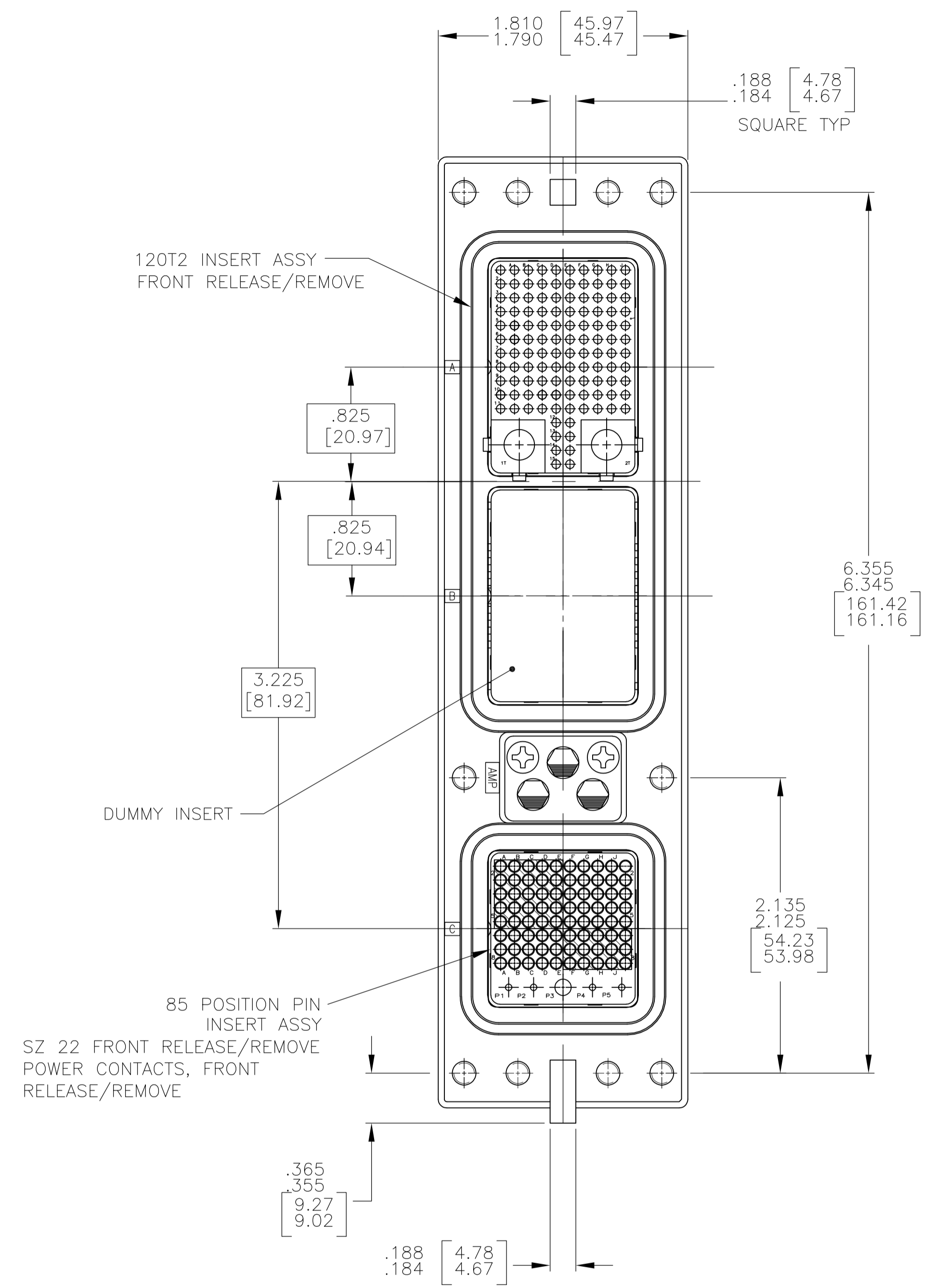
Email & Skype: info@chipsmall.com Web: www.chipsmall.com

Address: A1208, Overseas Decoration Building, #122 Zhenhua RD., Futian, Shenzhen, China



REVISONS		DATE	DWN	APVD
LOC	DIST			
B	REV PER ECO	10-021426	09NOV10	PY KT

- CONNECTOR DIMENSIONS ARE PER ARINC 600 SPECIFICATION.
- CONNECTOR IS SUPPLIED WITH CONTACTS AS LISTED IN TABLE.
- KEYING SHOWN IN POSITION "01" FOR ILLUSTRATION ONLY. CONNECTORS SHIPPED WITH KEYING INSTALLED IN POSITION PER TABLE. FOR POSITION "00" KEYING HARDWARE SHIPPED UNASSEMBLED.



COMPONENT	MATERIAL	FINISH
SHELL	DIE CAST ALUMINUM PER ASTM-B-85	ELECTROLESS NICKEL PER MIL-C-26074
INSERT RETENTION PLATES	ALUMINUM ALLOY PER ASTM-B-209	ELECTROLESS NICKEL PER MIL-C-26074
FLAT HEAD SCREWS	STAINLESS STEEL	PASSIVATED
POLARIZING KEYS	ZINC ALLOY PER ASTM-B-86	-
120T2 & 85 INSERTS	THERMOSET OR THERMOPLASTIC PPS PER MIL-M-24519	-
POLARIZING KEY RETAINING PLATE	ALUMINUM ALLOY PER ASTM-B-209	BLUE ANODIZED PER MIL-A-8625
DUMMY INSERT	ALUMINUM ALLOY PER ASTM-B-85	ELECTROLESS NICKEL PER MIL-C-26074

130	MODULE A 211431-2 (SIZE 22 POSTED; QTY=118) MODULE B (NONE) MODULE C 211431-2 (SIZE 22 POSTED; QTY=80) 1-448138-5 (SIZE 20 POSTED; QTY=4) 2-448139-1 (SIZE 16 POSTED; QTY=1)	2101650-1
KEYING POSITION	CONTACTS INCLUDED AND INSTALLED	PART NUMBER
THIS DRAWING IS A CONTROLLED DOCUMENT. DWN C.C.THOMAS 11-5-09 CJK K. THACKSTON 11-5-09 APVD K. THACKSTON 11-5-09 Tyco Electronics Corporation Harrisburg, PA 17105-3608		
DIMENSIONS: INCHES TOLERANCES UNLESS OTHERWISE SPECIFIED: 0 PLC ± - 1 PLC ± - 2 PLC ± - 3 PLC ± - 4 PLC ± - ANGLES ± -		NAME RCPT ASSY, SIZE 2, ARINC 600 (120T2/DUMMY/85) APPLICATION SPEC SIZE CAE CODE DRAWING NO. RESTRICTED TO A1 00779 C=2101650
MATERIAL SEE TABLE		FINISH SEE TABLE
CUSTOMER DRAWING		SCALE 3:2 SHEET 1 OF 1 REV B