



Chipsmall Limited consists of a professional team with an average of over 10 year of expertise in the distribution of electronic components. Based in Hongkong, we have already established firm and mutual-benefit business relationships with customers from,Europe,America and south Asia,supplying obsolete and hard-to-find components to meet their specific needs.

With the principle of “Quality Parts,Customers Priority,Honest Operation,and Considerate Service”,our business mainly focus on the distribution of electronic components. Line cards we deal with include Microchip,ALPS,ROHM,Xilinx,Pulse,ON,Everlight and Freescale. Main products comprise IC,Modules,Potentiometer,IC Socket,Relay,Connector.Our parts cover such applications as commercial,industrial, and automotives areas.

We are looking forward to setting up business relationship with you and hope to provide you with the best service and solution. Let us make a better world for our industry!



Contact us

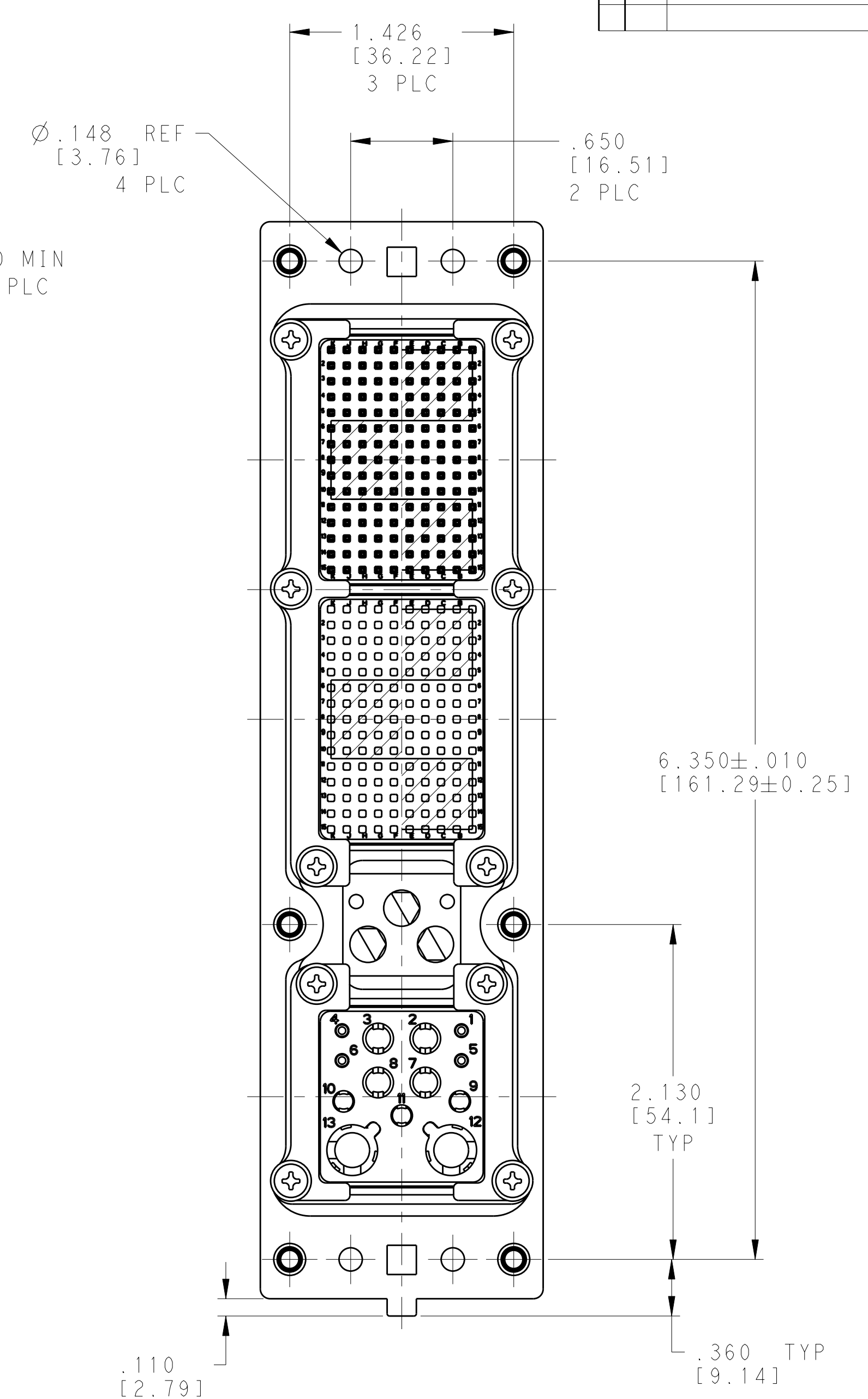
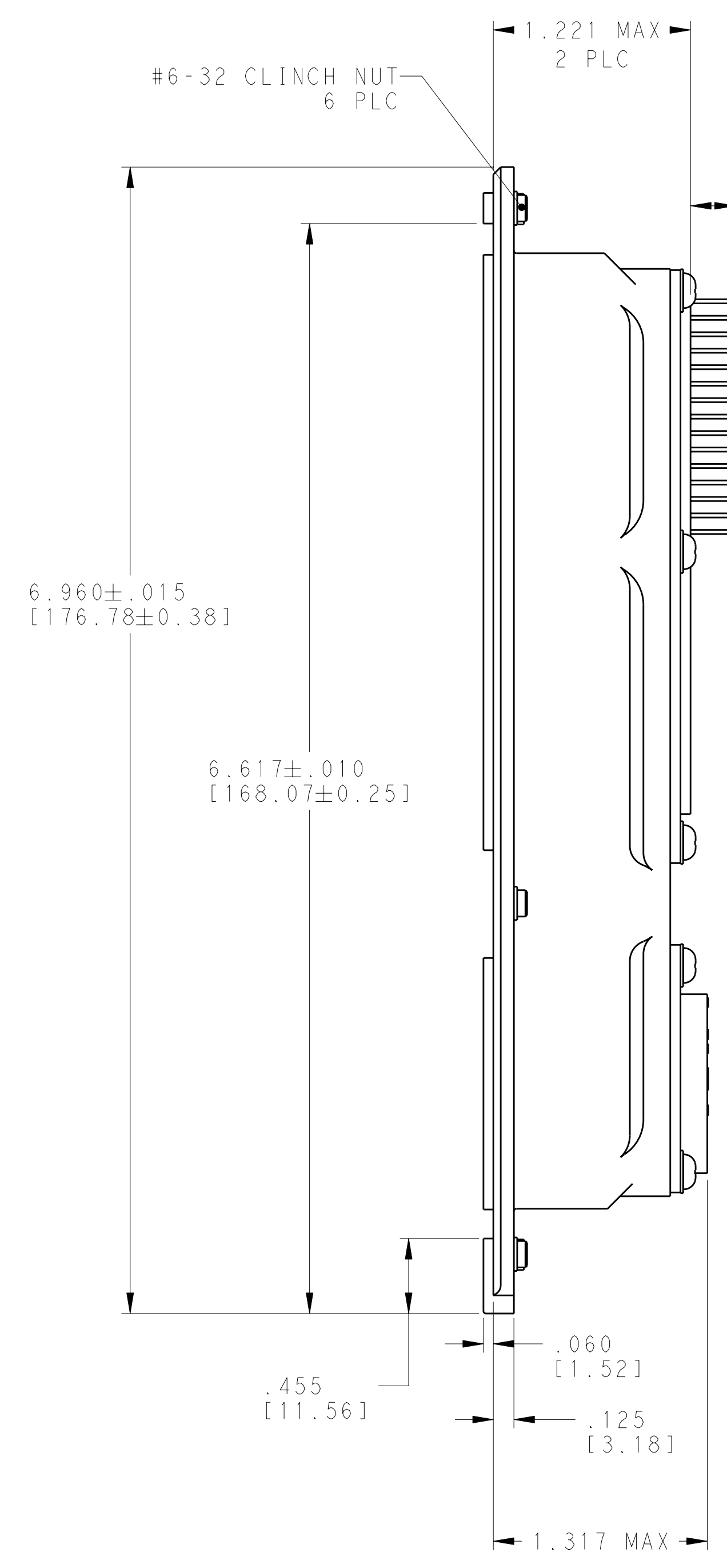
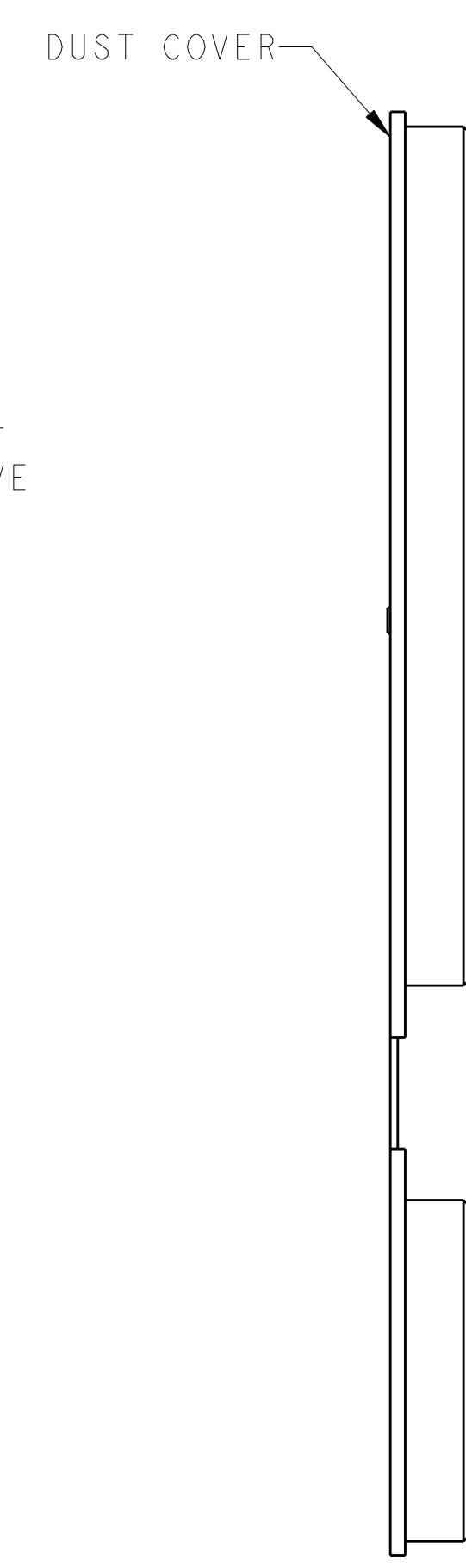
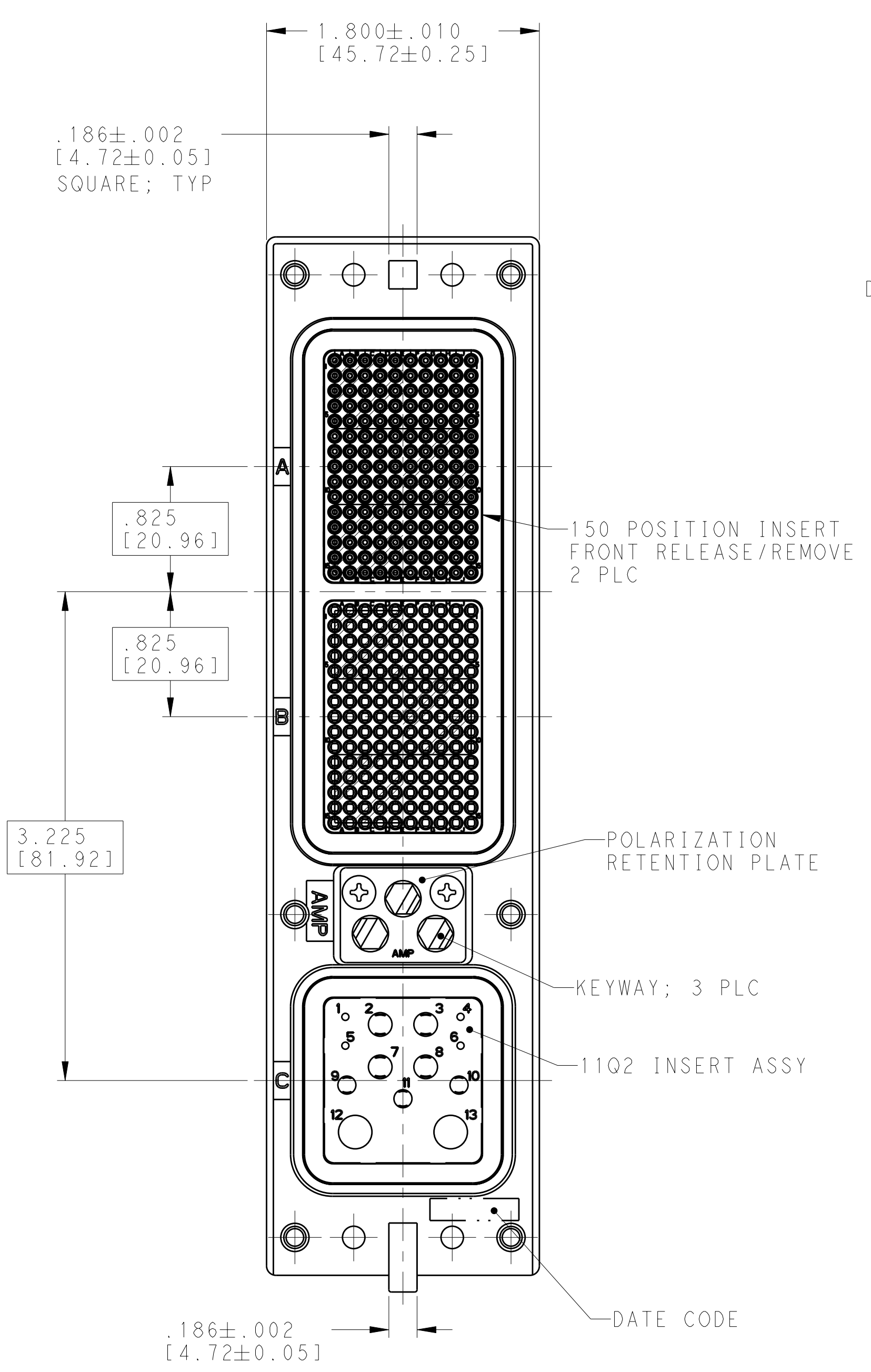
Tel: +86-755-8981 8866 Fax: +86-755-8427 6832

Email & Skype: info@chipsmall.com Web: www.chipsmall.com

Address: A1208, Overseas Decoration Building, #122 Zhenhua RD., Futian, Shenzhen, China



LOC	DIST	REV	DESCRIPTION	DATE	DWN	APVD
-	-	A	RELEASED PER ECO 10-017541	8-25-10	CT	KT



COMPONENT	MATERIAL	FINISH
CLINCH NUT 6 PLC	STEEL	ZINC PLATED WITH YELLOW TRIVALENT CHROMATE
POLARIZATION KEYWAY 3 PLC	ZINC ALLOY PER ASTM-B-86	---
KEYWAY RETAINER PLATE	ALUMINUM ALLOY	BLUE ANODIZED PER MIL-A-8625
150 POSN. & 11Q2 INSERT ASSY	THERMOPLASTIC OR THERMOSET	---
SHELL AND RETENTION PLATES	ALUMINUM ALLOY PER ASTM-B-85	CHROMATE CONVERSION PER MIL-C-5541 TYPE I, CLASS 1A
COMPONENT	MATERIAL	FINISH

"50"	MODULE A Tyco P/N 211431-4 (SIZE 22 POSTED SOCKET CONTACT; QTY=150)	2101947-1
	MODULE B NONE	
	MODULE C Tyco P/N 1663767-6 (SIZE 20 FILLER PLUG; QTY=2) Tyco P/N 1663767-7 (SIZE 16 FILLER PLUG; QTY=3) Tyco P/N 1663767-8 (SIZE 12 FILLER PLUG; QTY=4) NO FILLER PLUGS IN CAVITY: 1, 4, 12 & 13	
KEYING POSITION	CONTACTS AND FILLER PLUGS INCLUDED AND INSTALLED	PART NUMBER

- CONNECTOR MEETS ARINC 600 SPECIFICATIONS
- CONNECTOR IS SUPPLIED WITH CONTACTS AND FILLER PLUGS (PER TABLE).
- CONNECTOR IS SUPPLIED WITH A DUST COVER INSTALLED FOR SHIPPING.
- CONNECTOR IS SUPPLIED WITH KEYING ASSEMBLED PER TABLE.

DIMENSIONS: INCHES[mm] 		TOLERANCES UNLESS OTHERWISE SPECIFIED: 9 PLC ± 3 PLC ± 5 PLC ±.005 (0.13) 4 PLC ± ANGLES ±		DWN C.C. THOMAS 5-17-10 CHK K. THACKSTON 5-17-10 APVD K. THACKSTON 5-17-10 PRODUCT SPEC APPLICATION SPEC WEIGHT CUSTOMER DRAWING		Tyco Electronics Harrisburg, PA 17105-3608 NAME RECEPTACLE ASSY, SIZE 2, ARINC 600 (150/150/11Q2) SIZE CAGE CODE DRAWING NO. A100779C=2101947 RESTRICTED TO SCALE 3:2 SHEET 1 OF 1 REV A	
----------------------------	--	---	--	--	--	---	--